

Broil King®



Broil King.

BARON S 590 IR

8769-82

8769-83


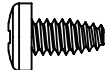
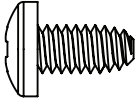
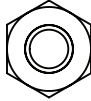
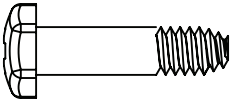

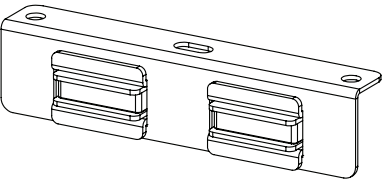
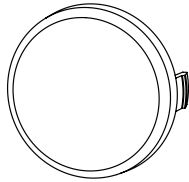
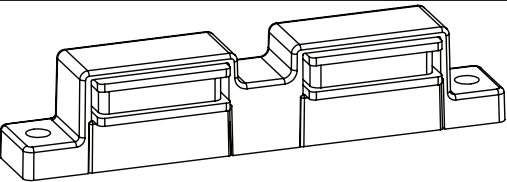
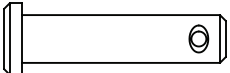
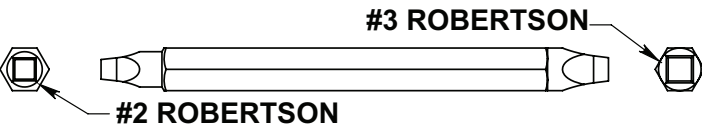

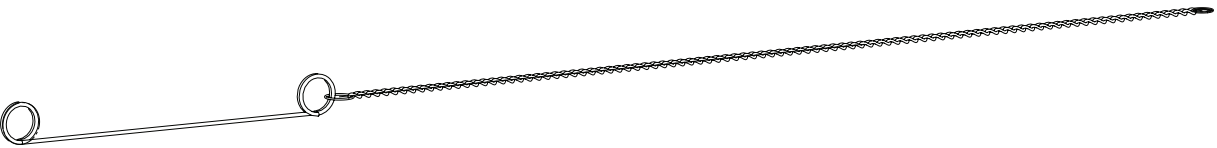
8769-83FRSP

8769-86

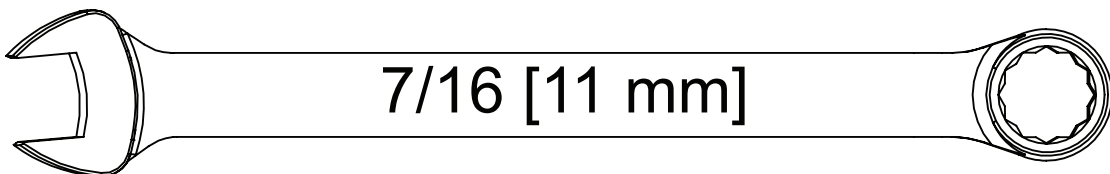
Onward
MANUFACTURING COMPANY LIMITED
SINCE 1906
585 KUMPF DRIVE
WATERLOO, ONTARIO, CANADA
N2V 1K3

50084-E81EU REV B 11/20

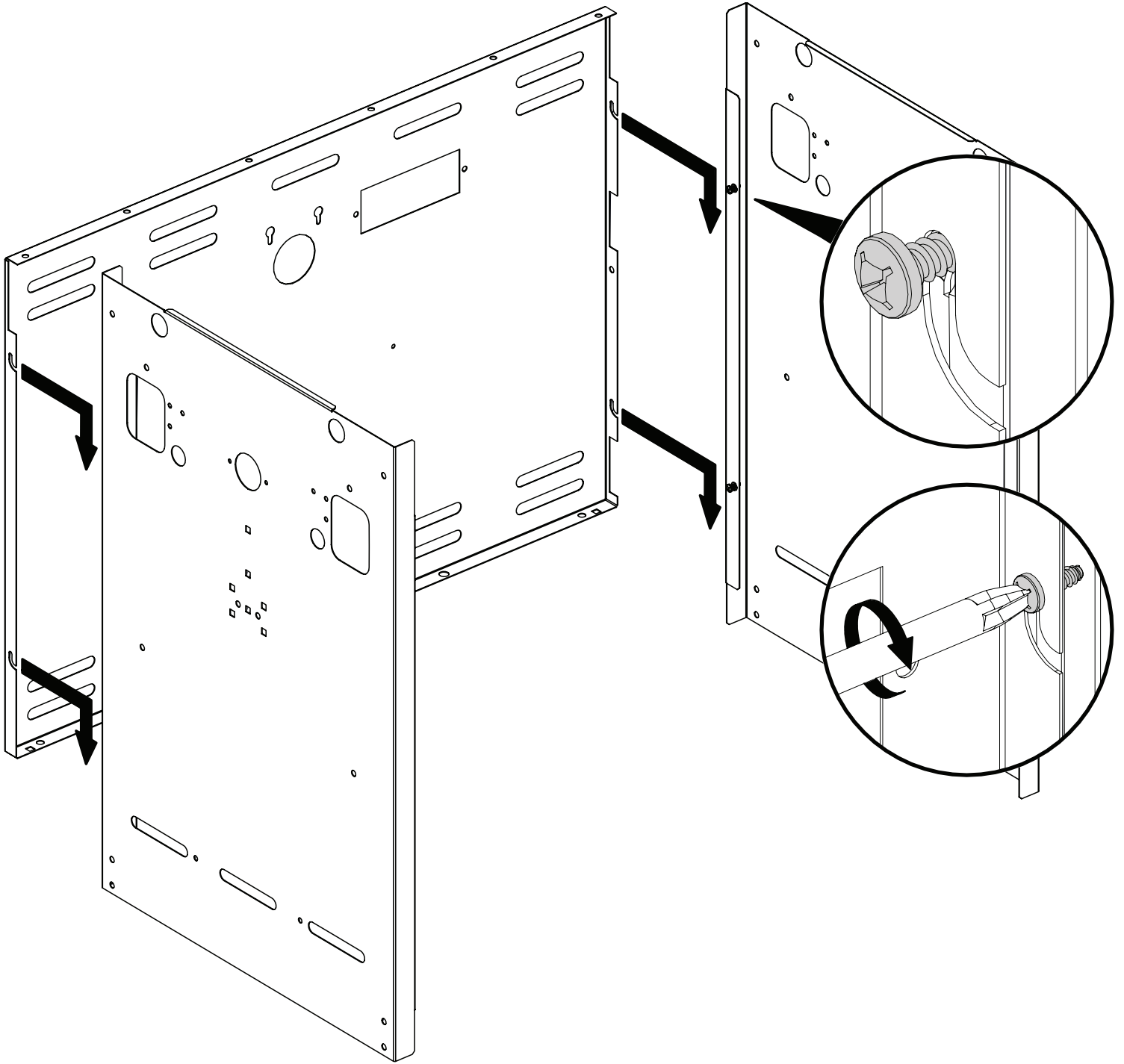
HARDWARE INCLUDED / MATERIAL INCLUS

S21124		(8)	Y-29304		(2)
Y-12865		(26)	Y-11793		(6)
Y-11551		(2)	Y-12124		(2)
56039-211A		(1)	32001-151		(4)
Y-12229		(1)	S21235		(2)
 <p>#3 ROBERTSON</p> <p>#2 ROBERTSON</p>			S21233		(2)
20005-000					(1)

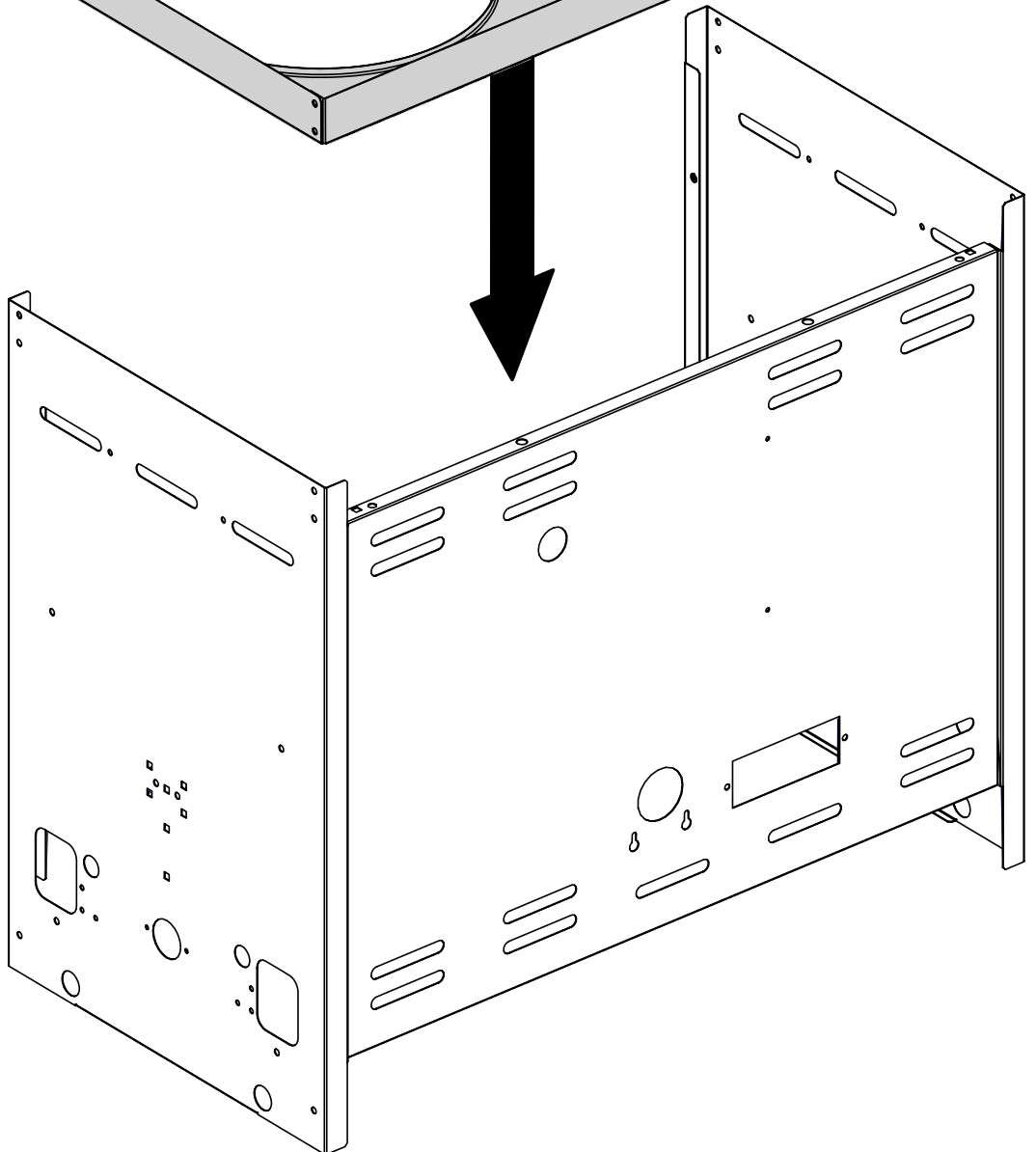
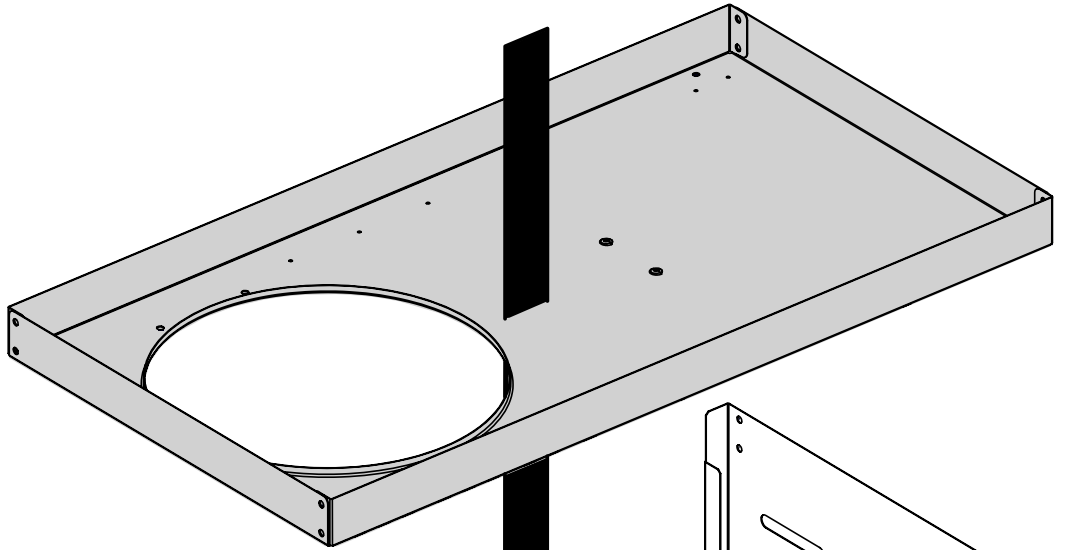
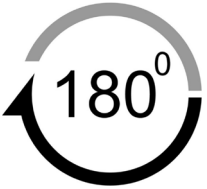
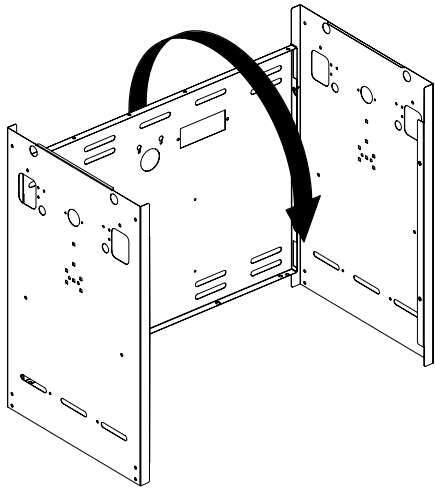
TOOLS REQUIRED / OUTILS NECESSAIRES




1

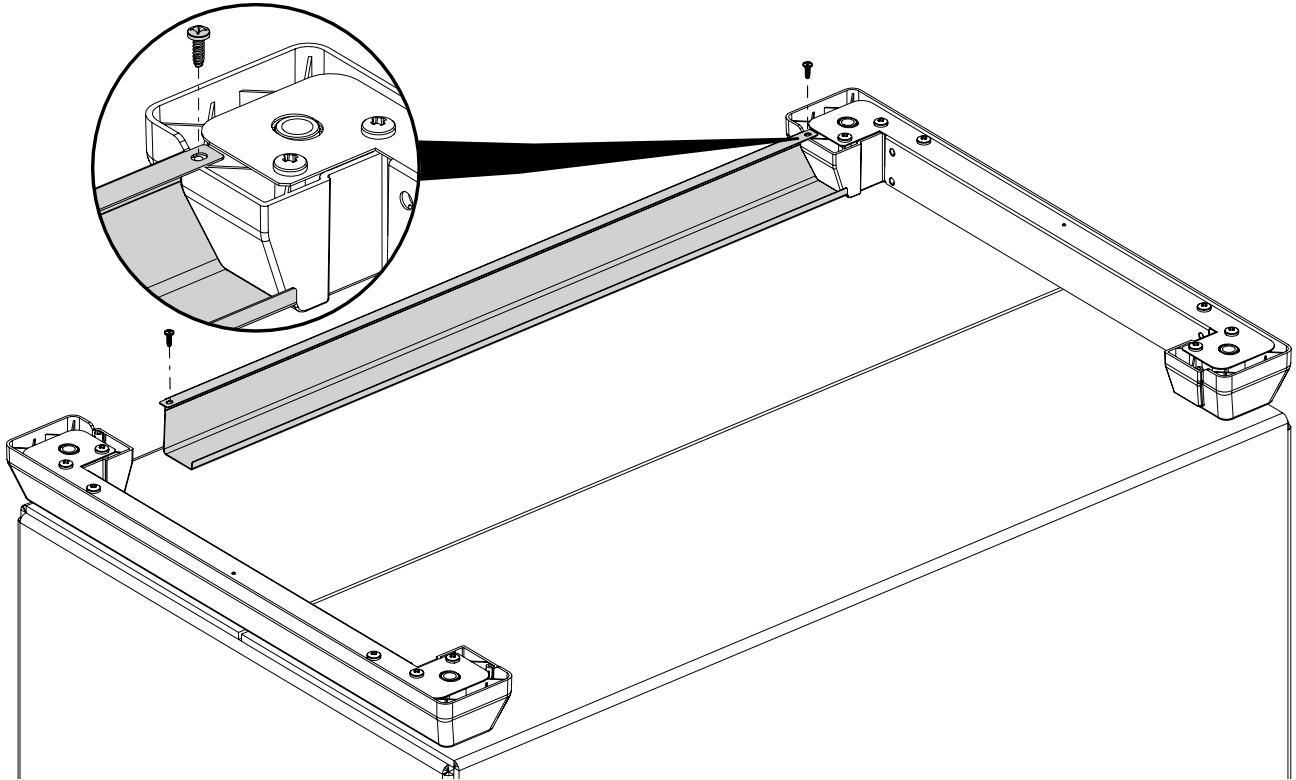


2




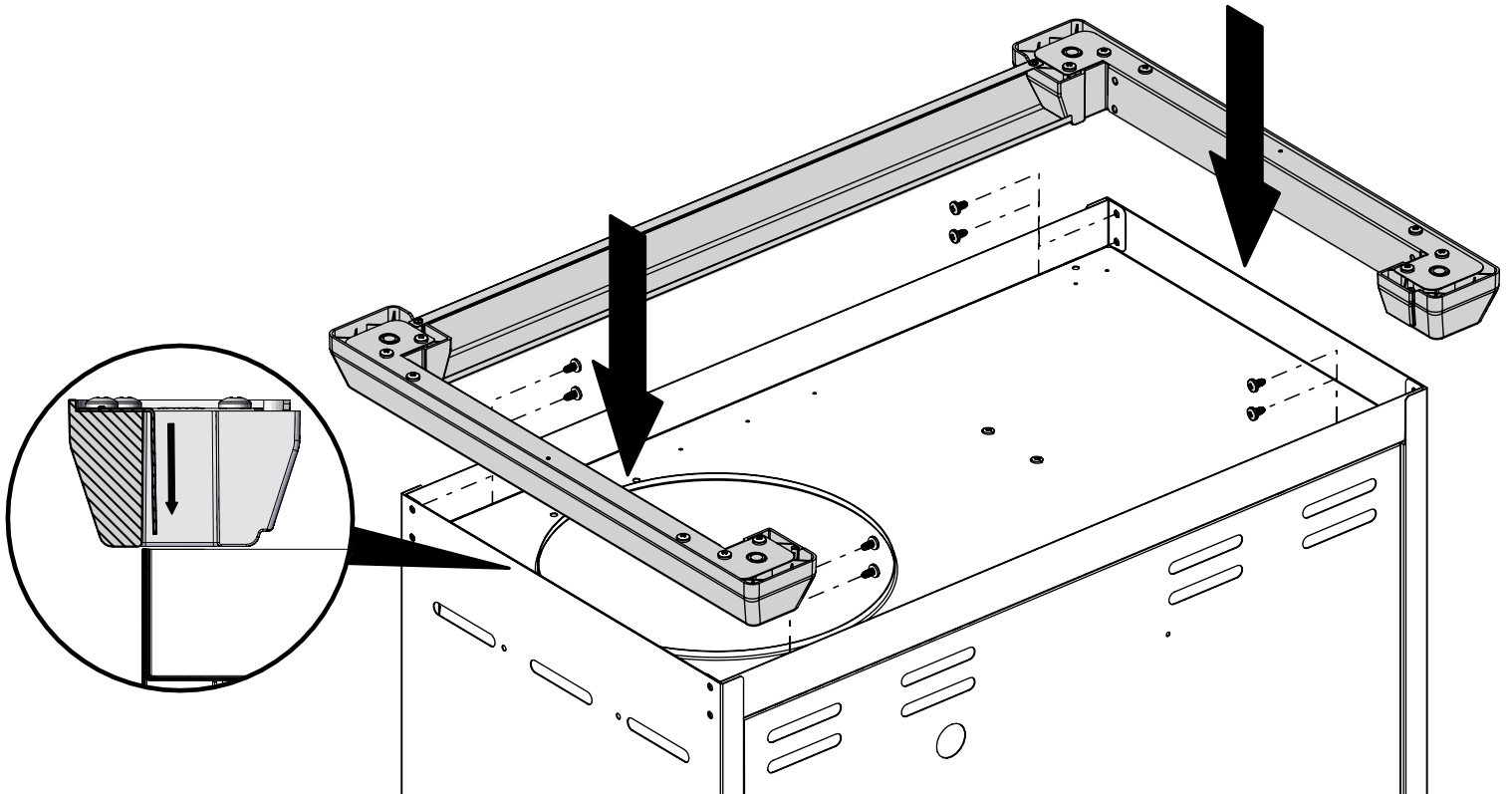
3

(2) 

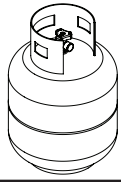


4

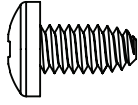
(8) 



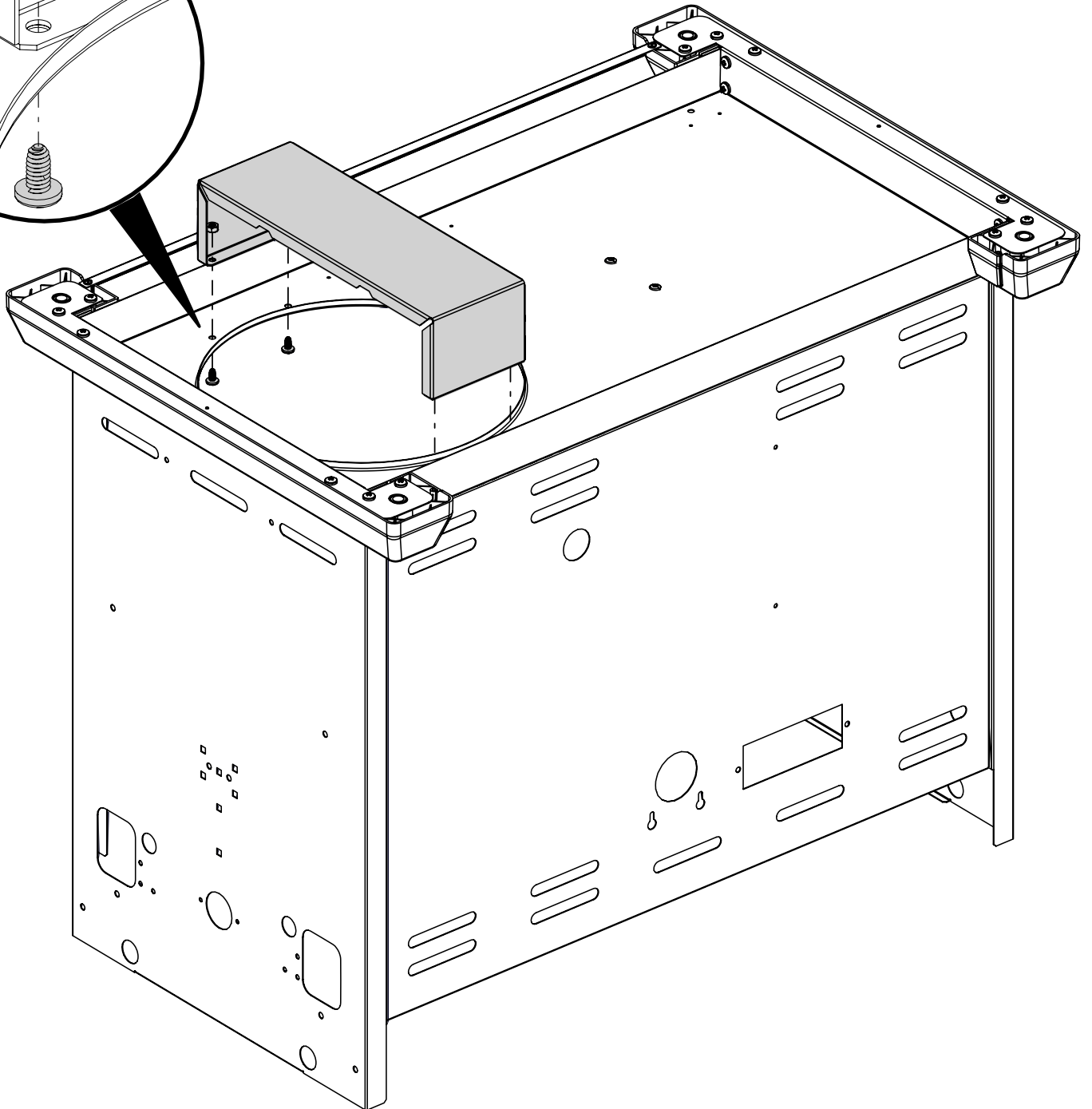
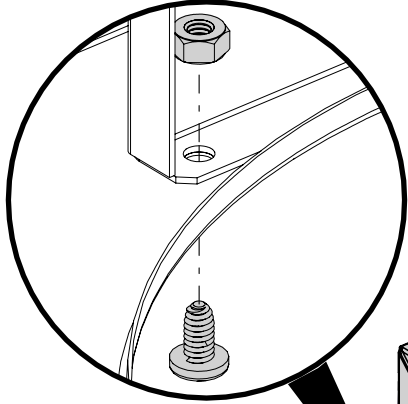
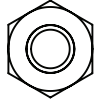
5



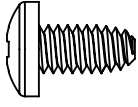
(4)

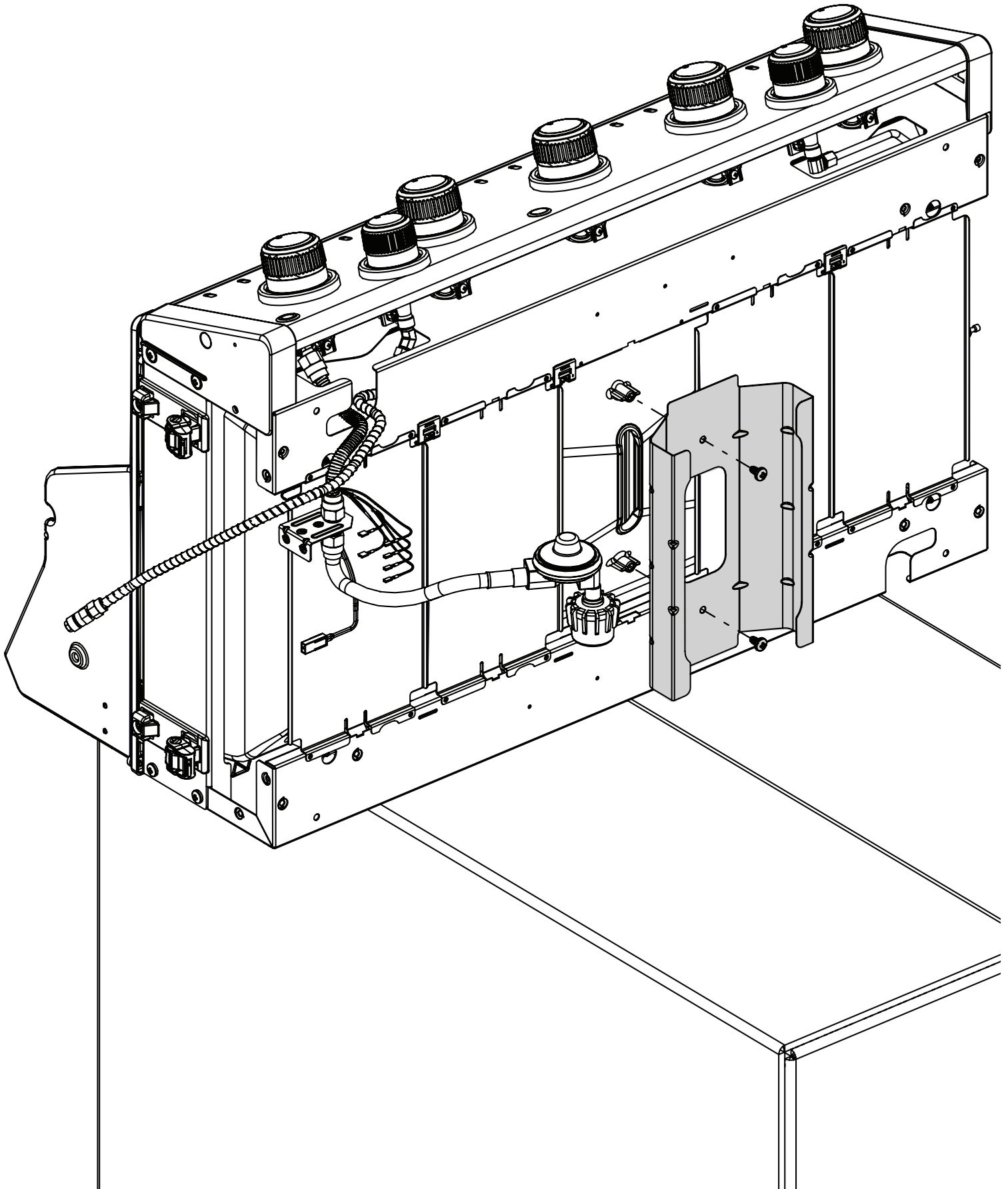


(4)

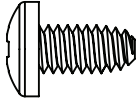


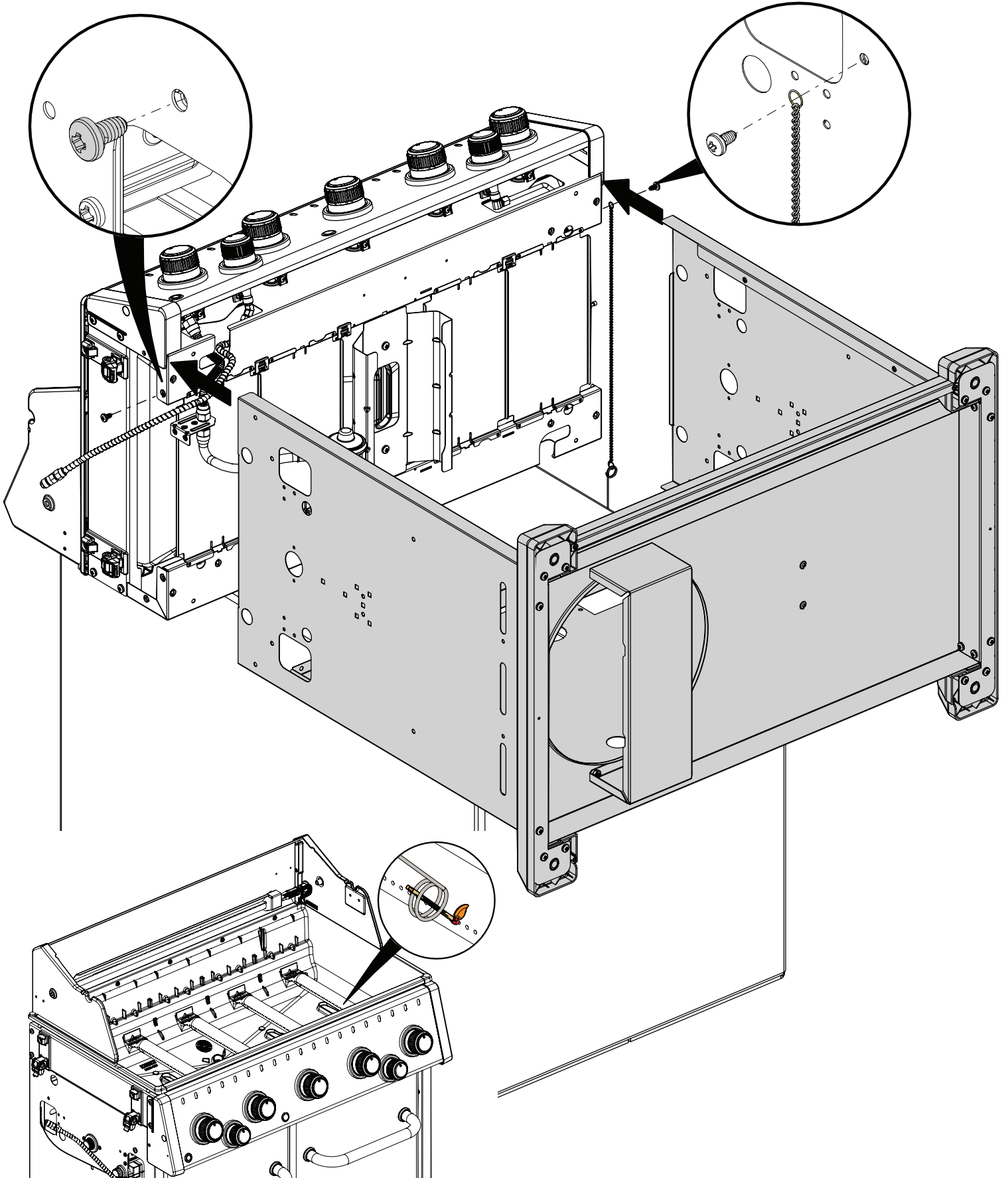
6

(2) 

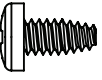


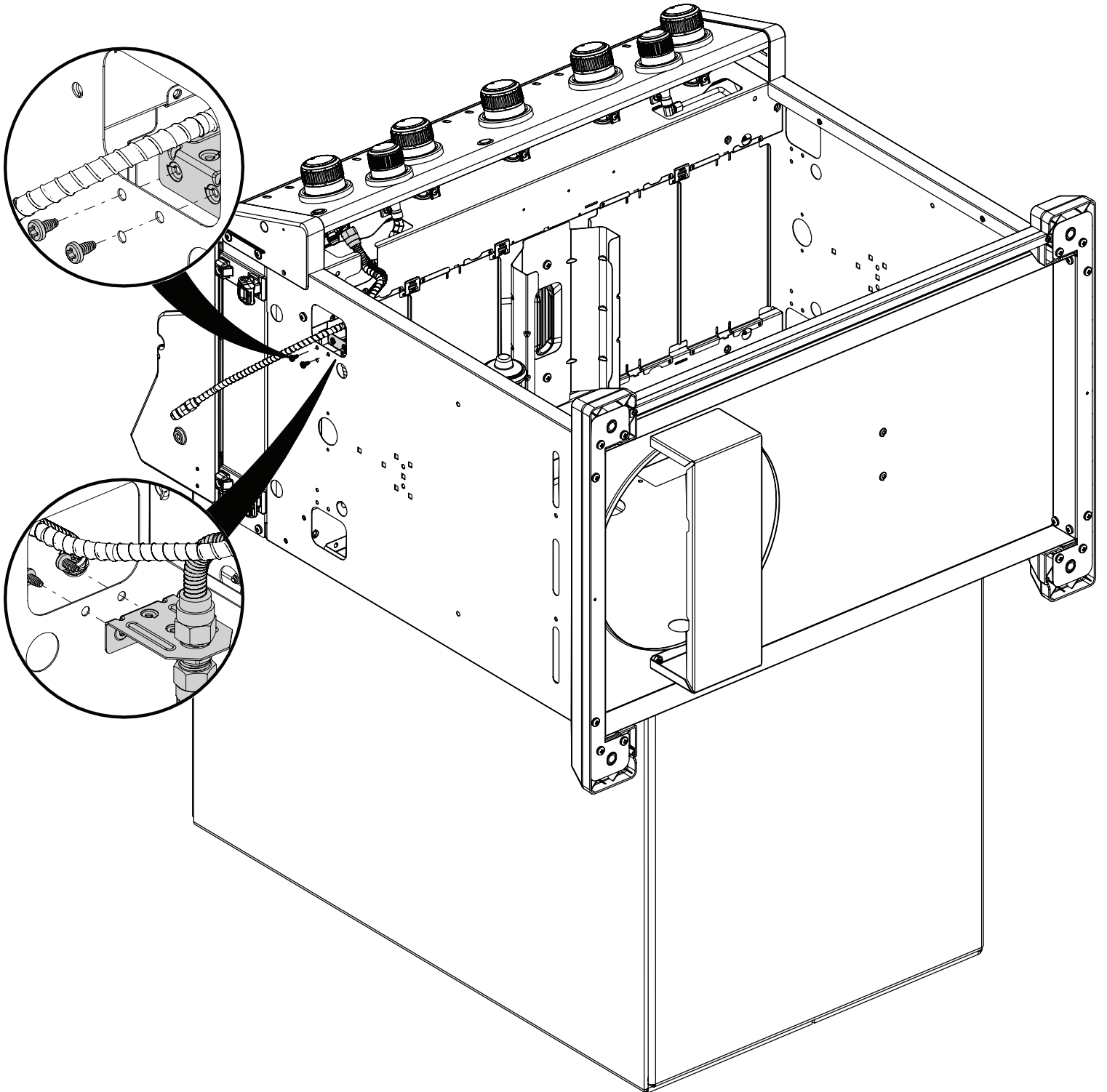
7

(2)  (1)

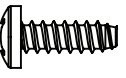


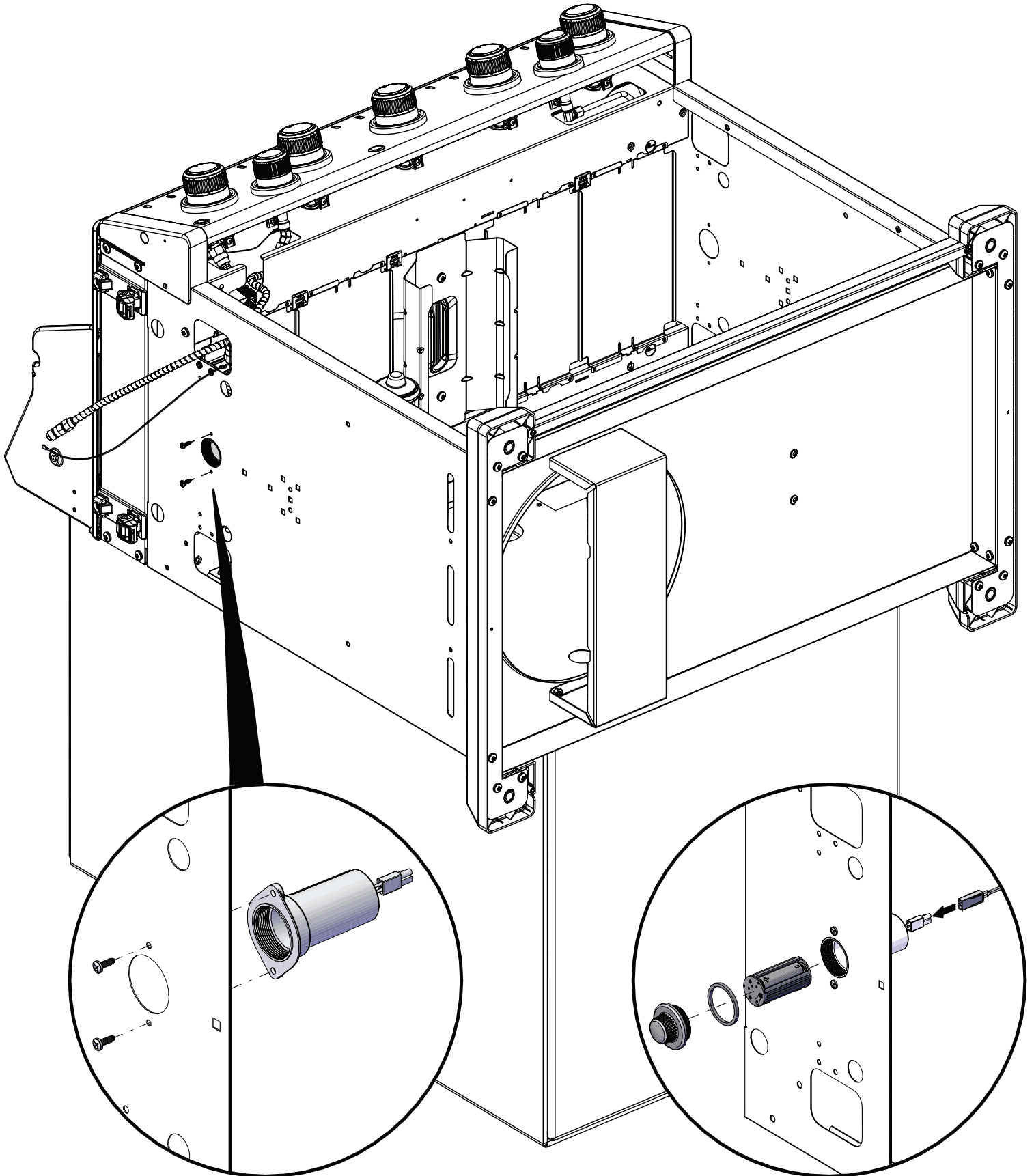
8

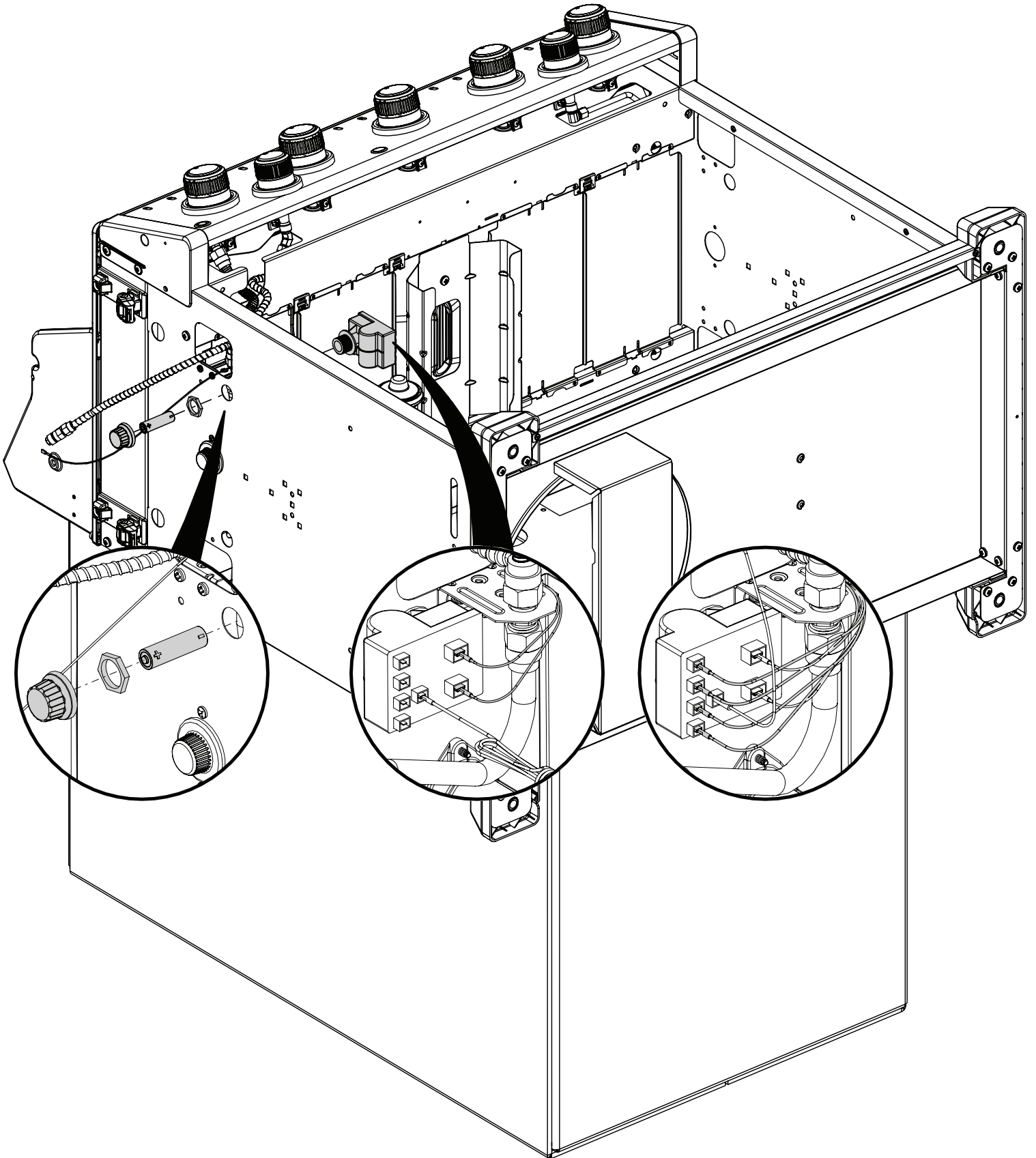
(2) 



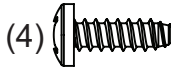
9

(2) 

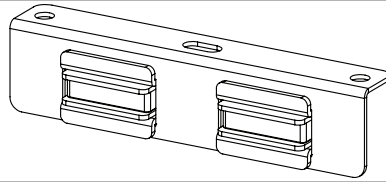




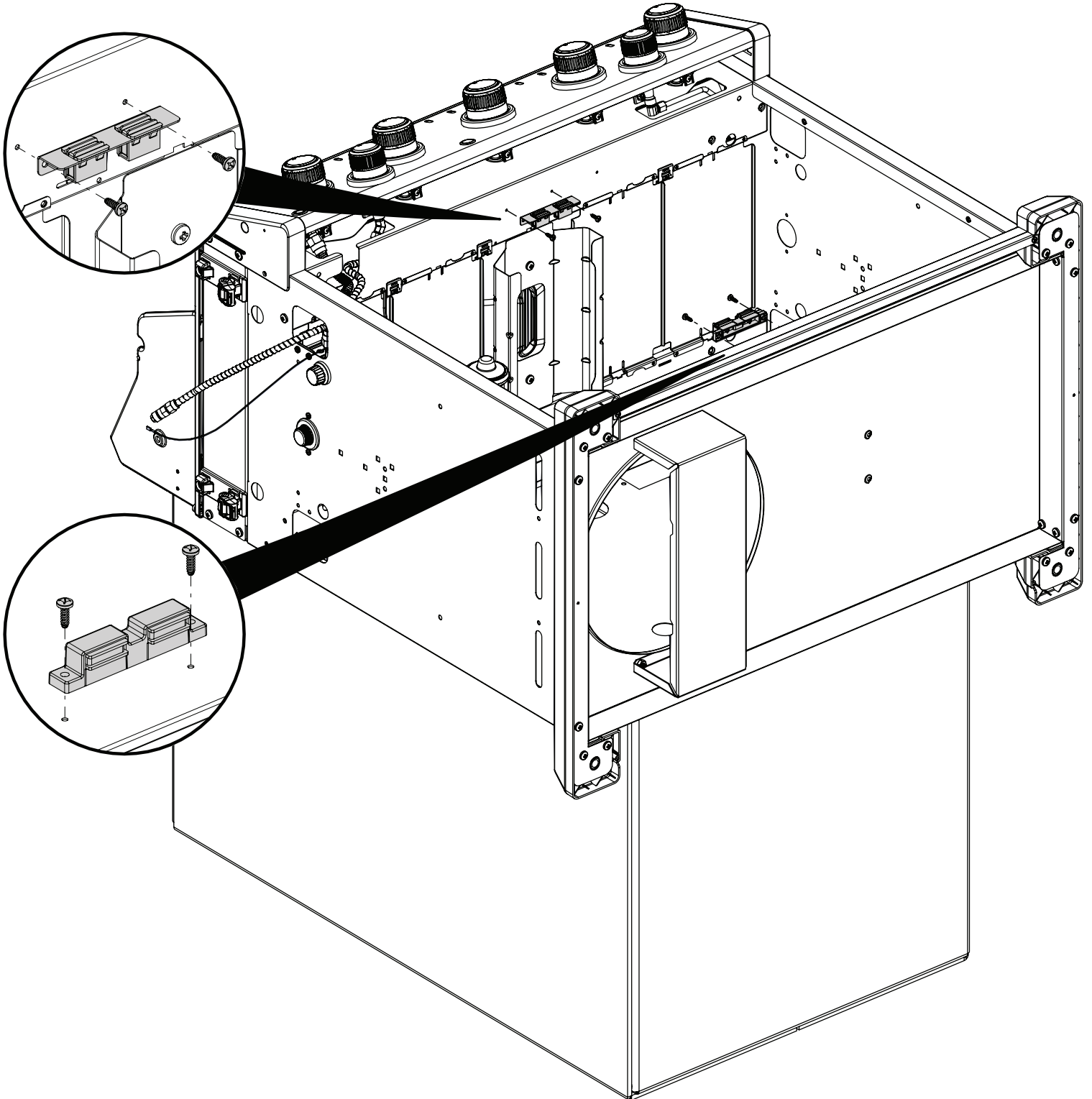
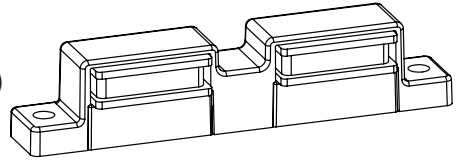
11



(1)

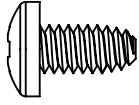


(1)

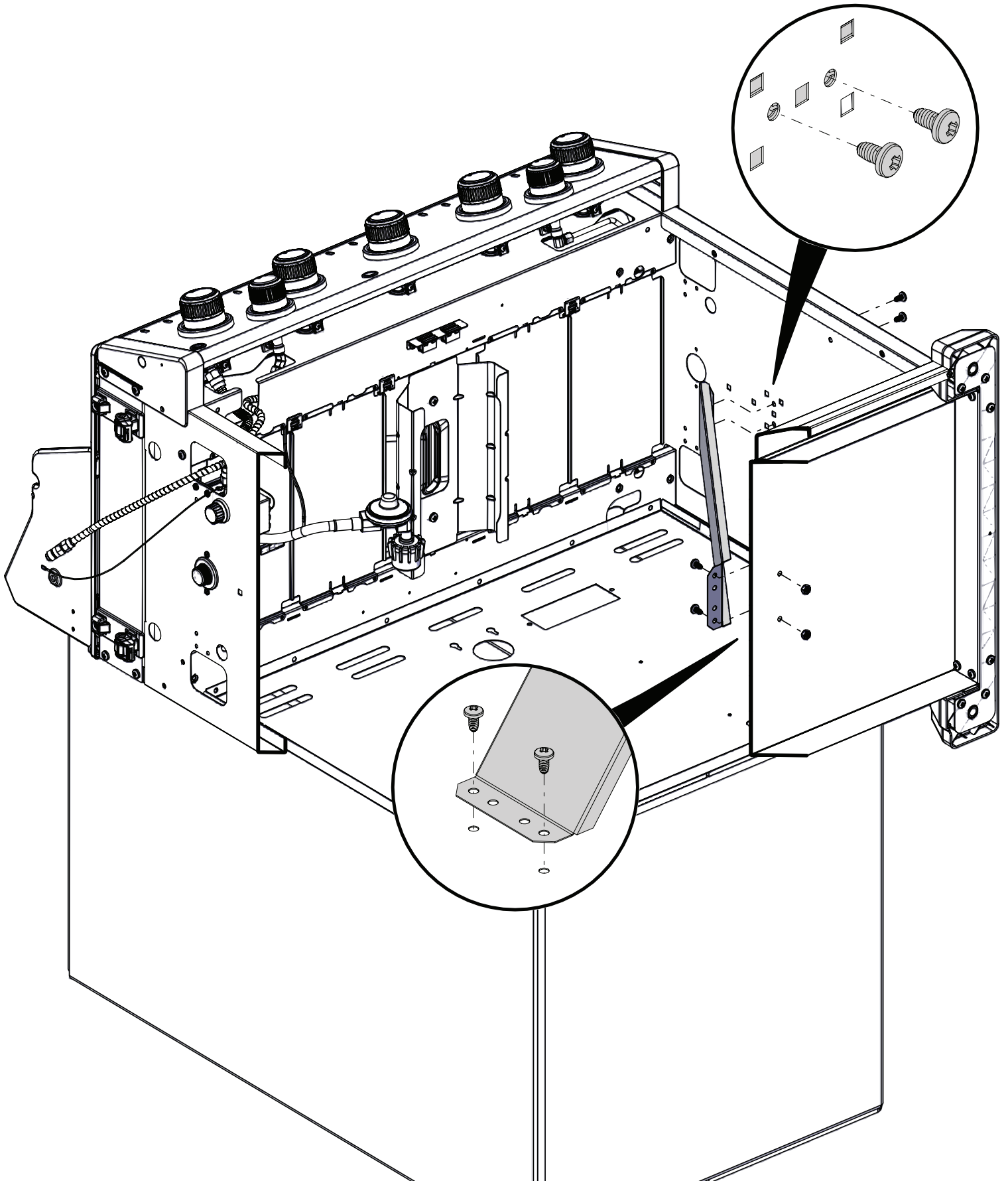
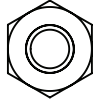


12

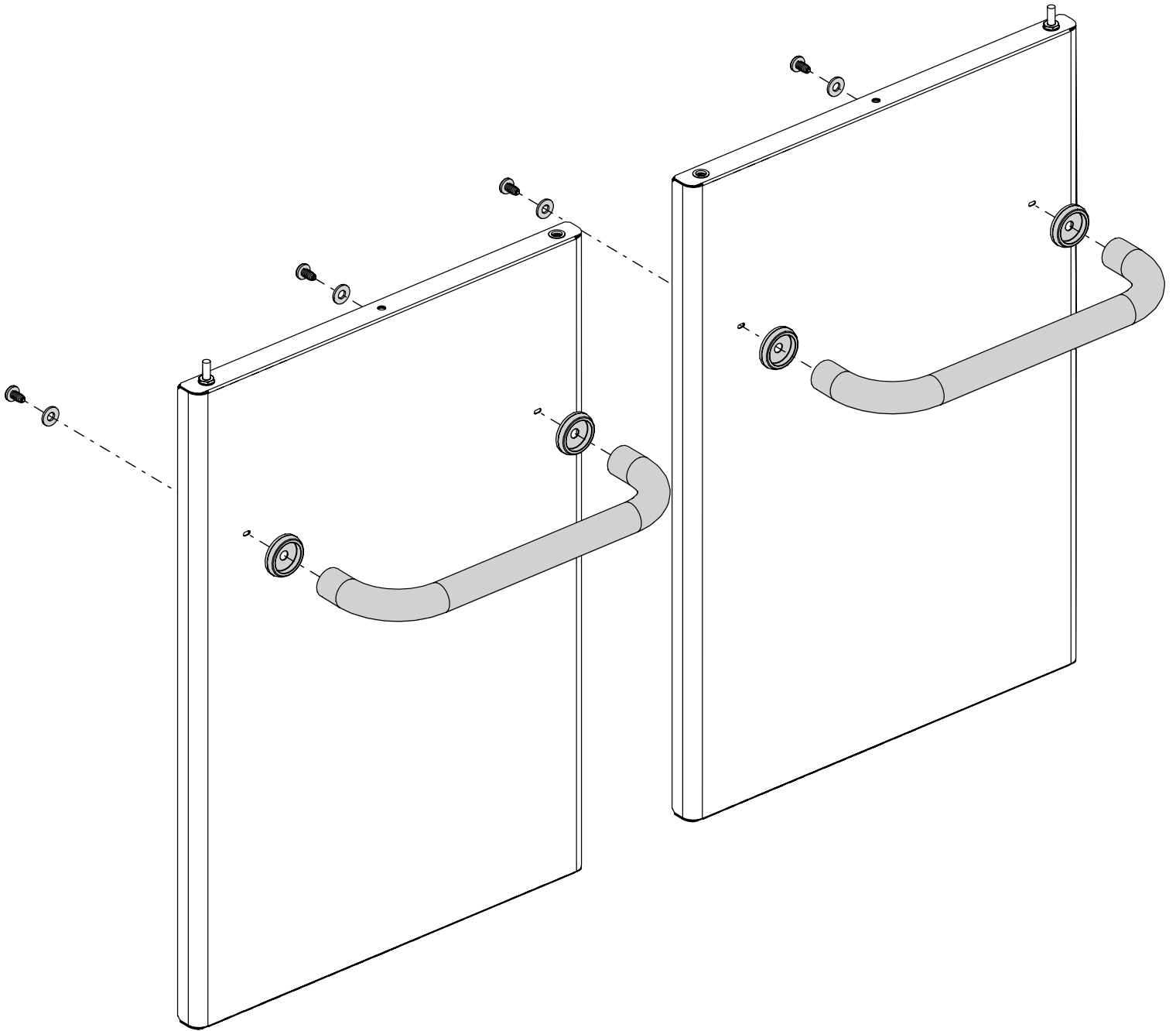
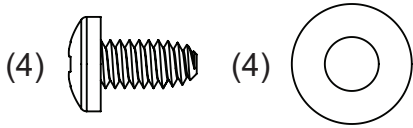
(4)



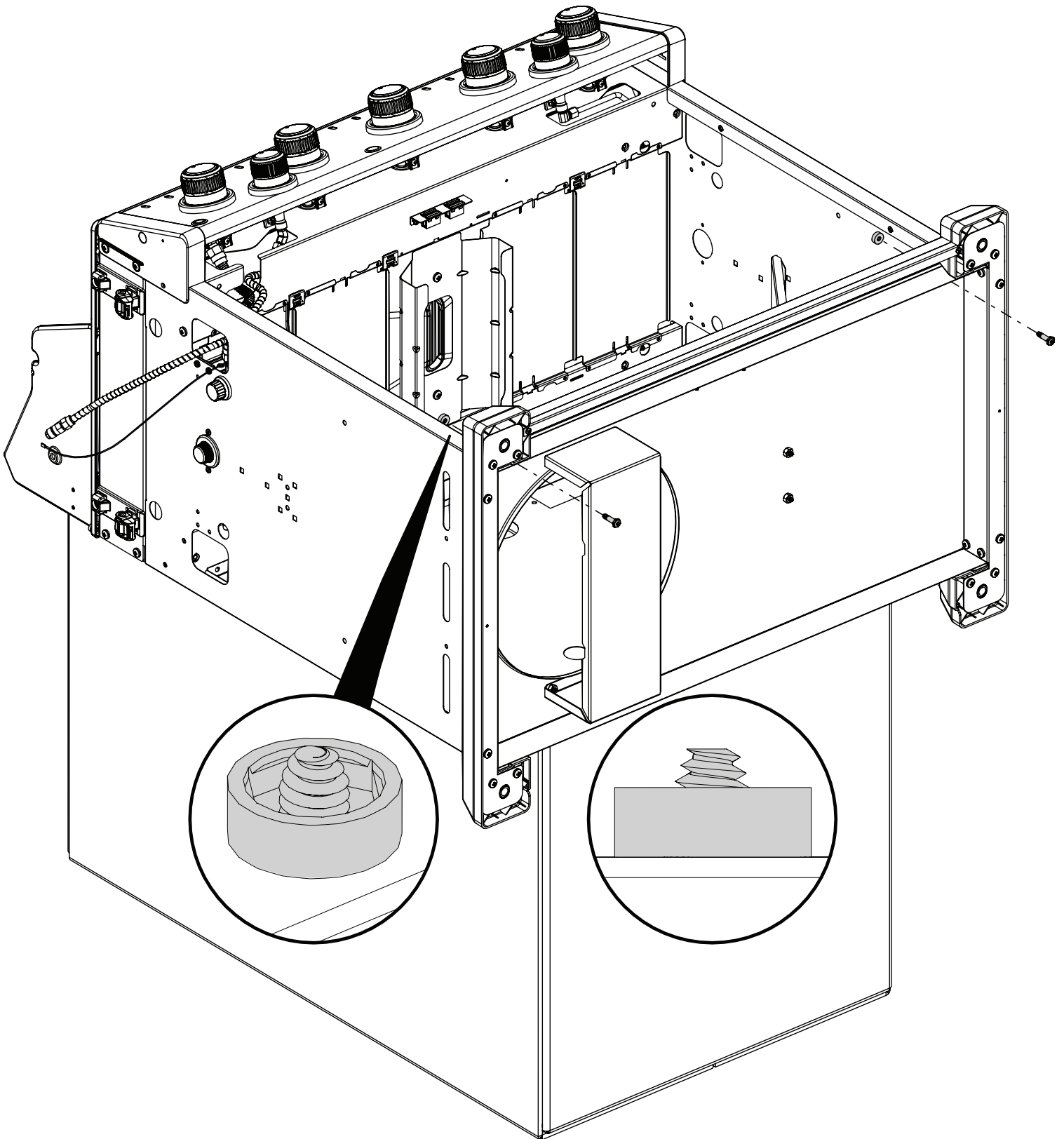
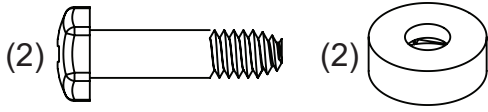
(2)

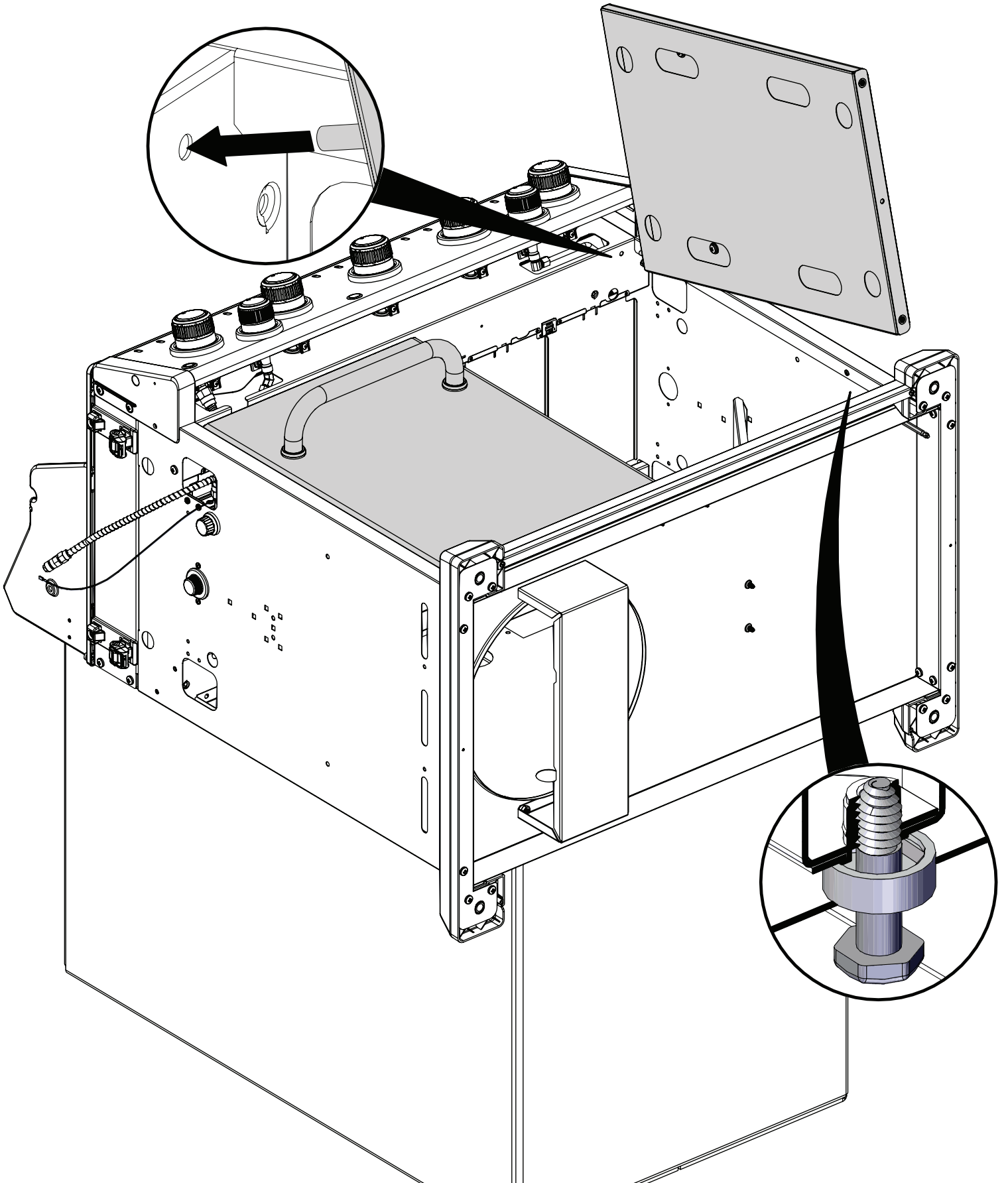


13



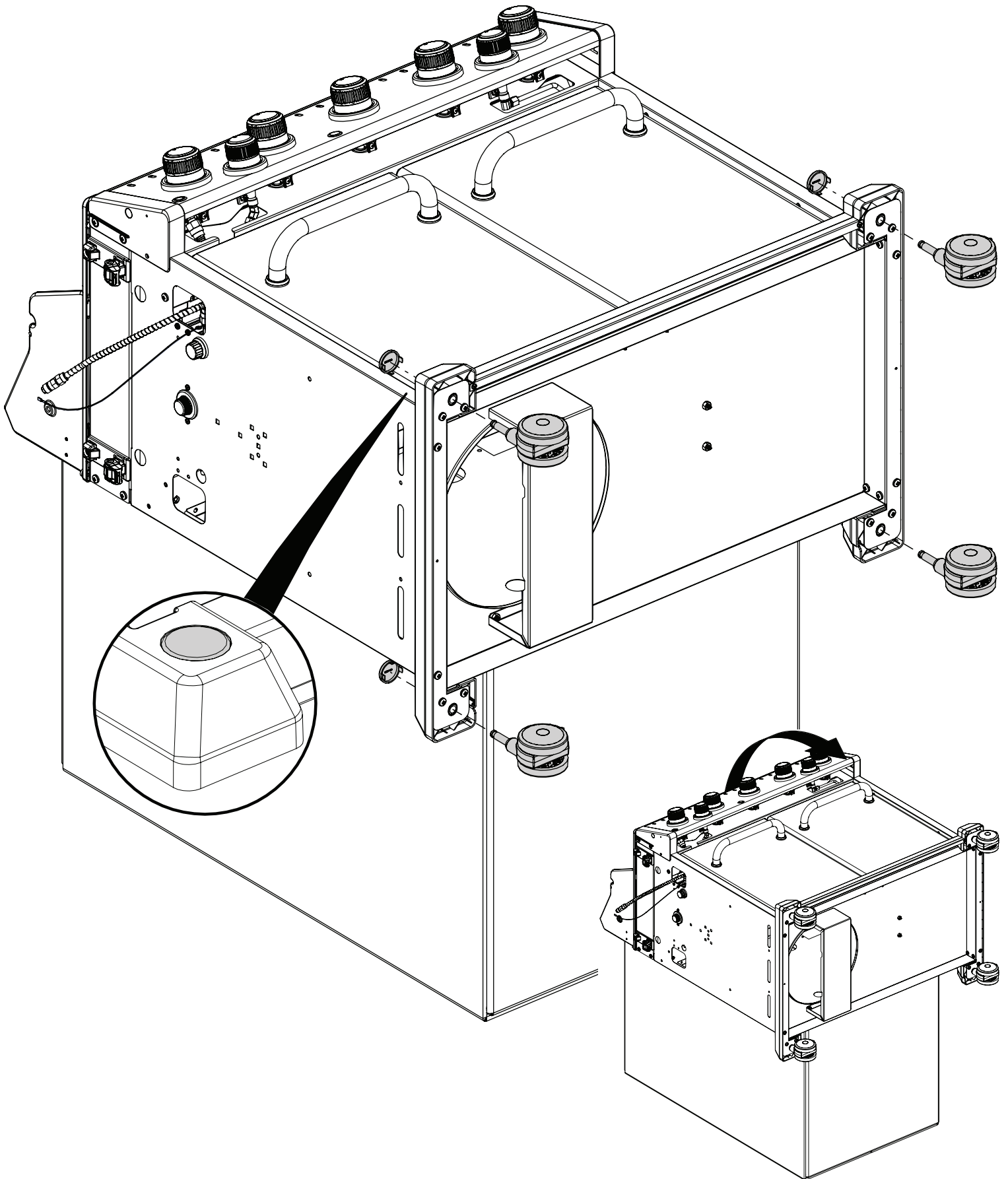
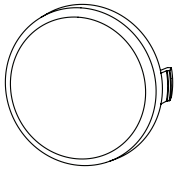
14





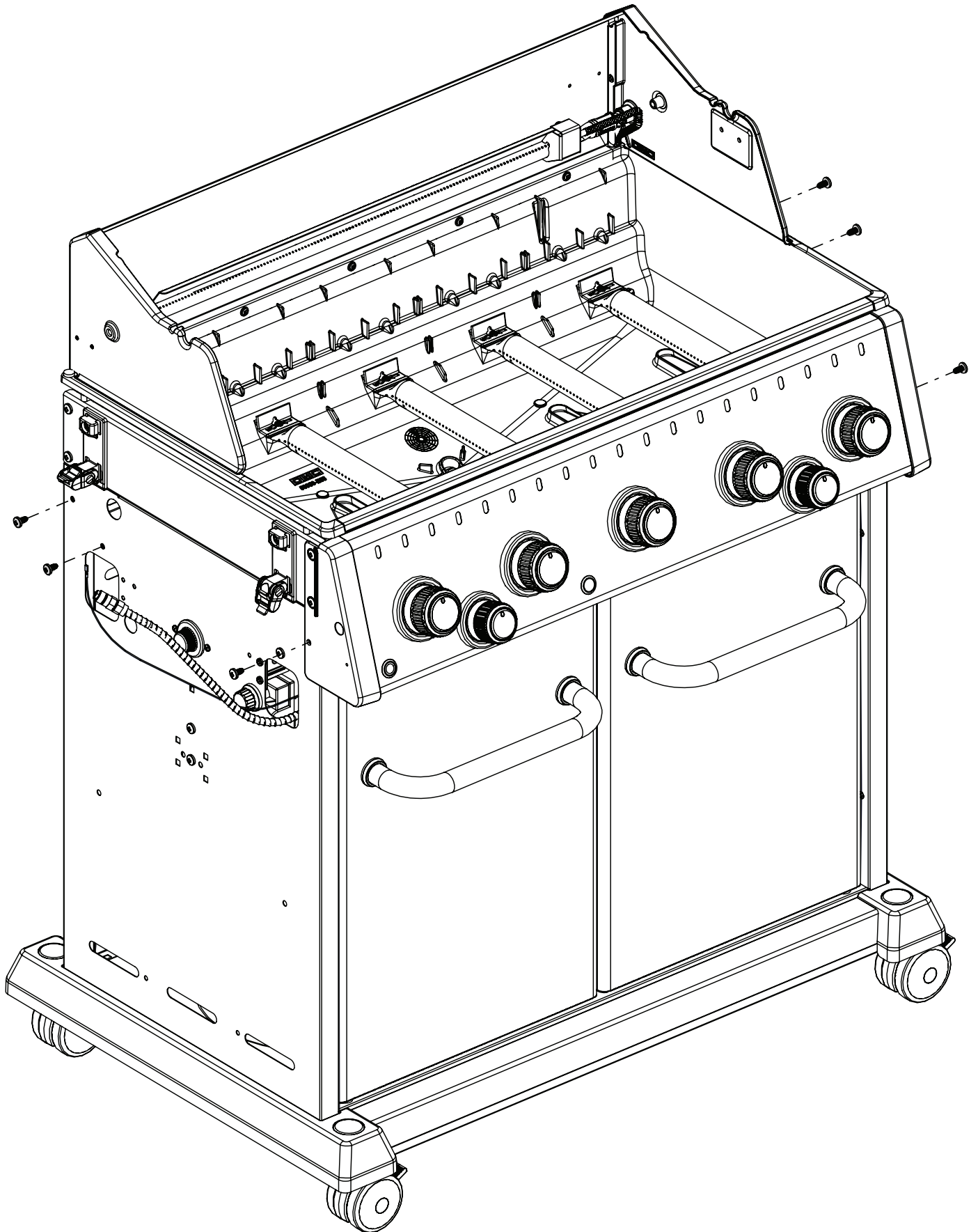
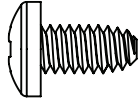
16

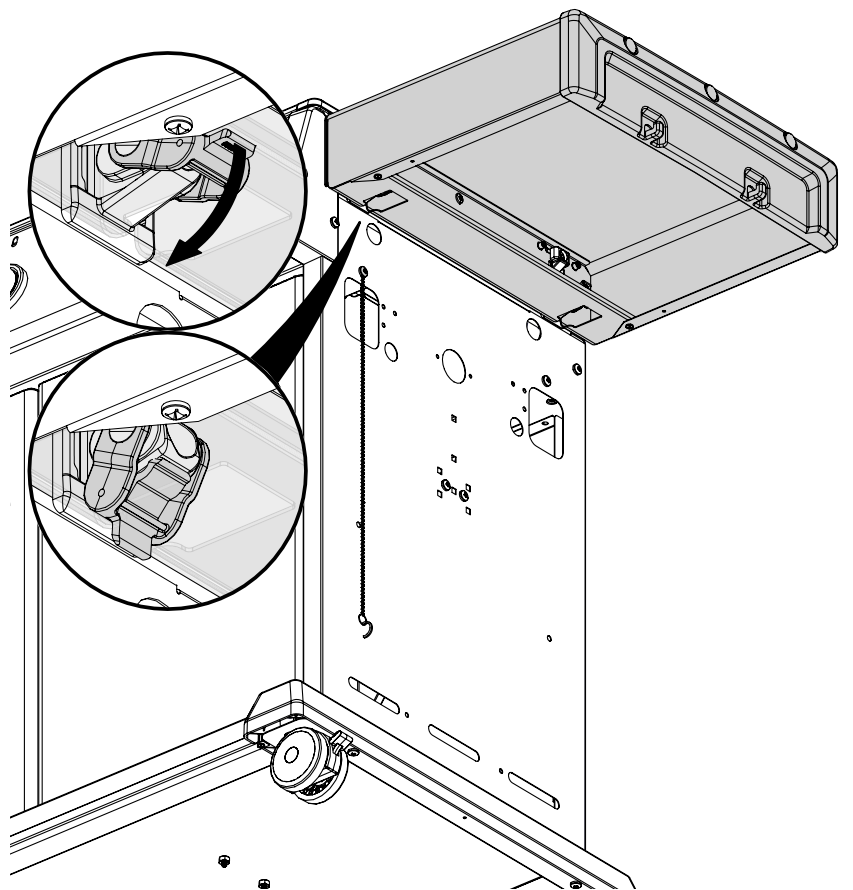
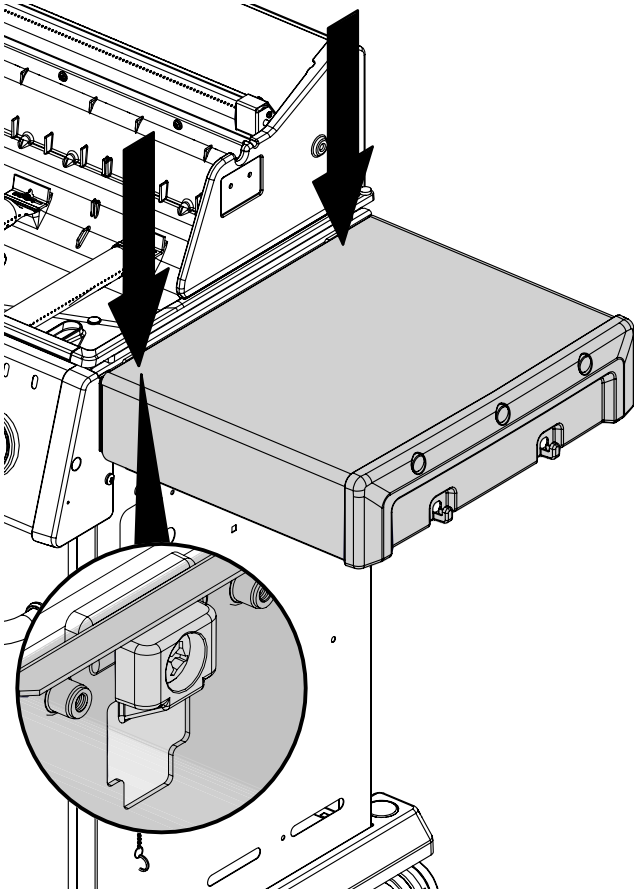
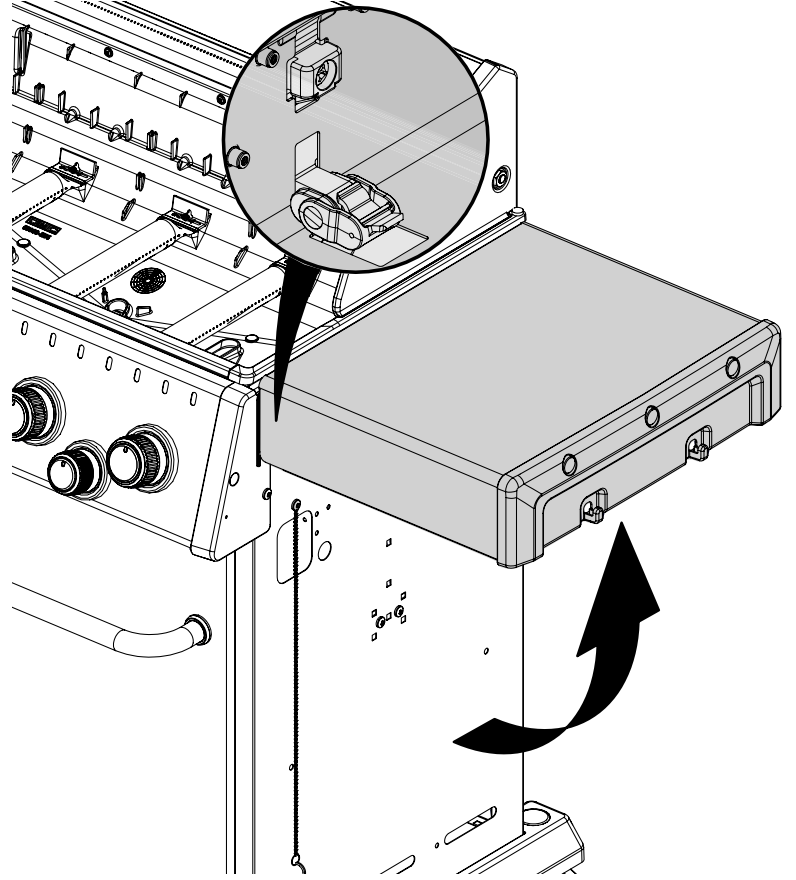
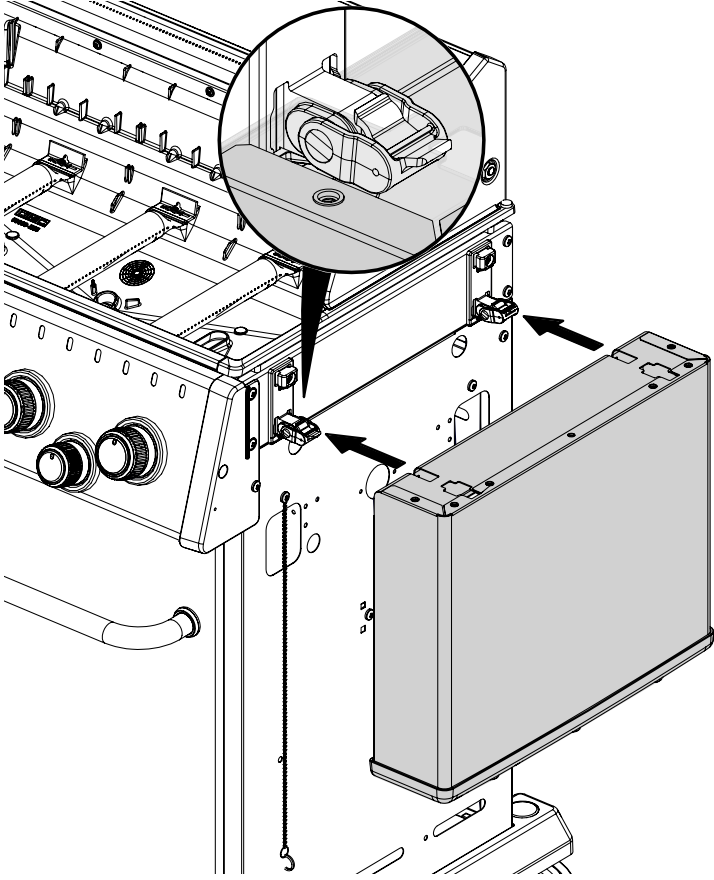
(4)



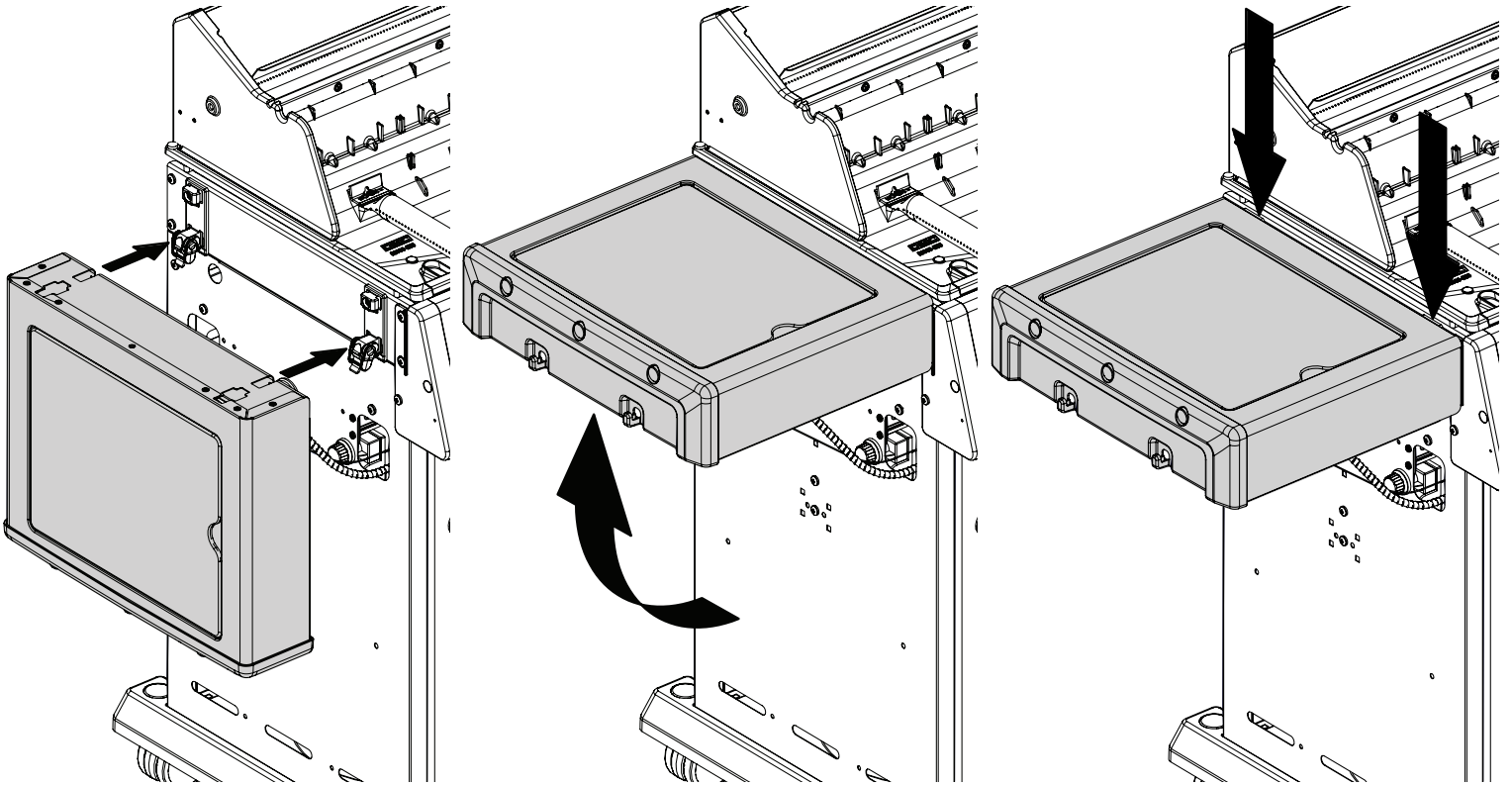
17

(6)

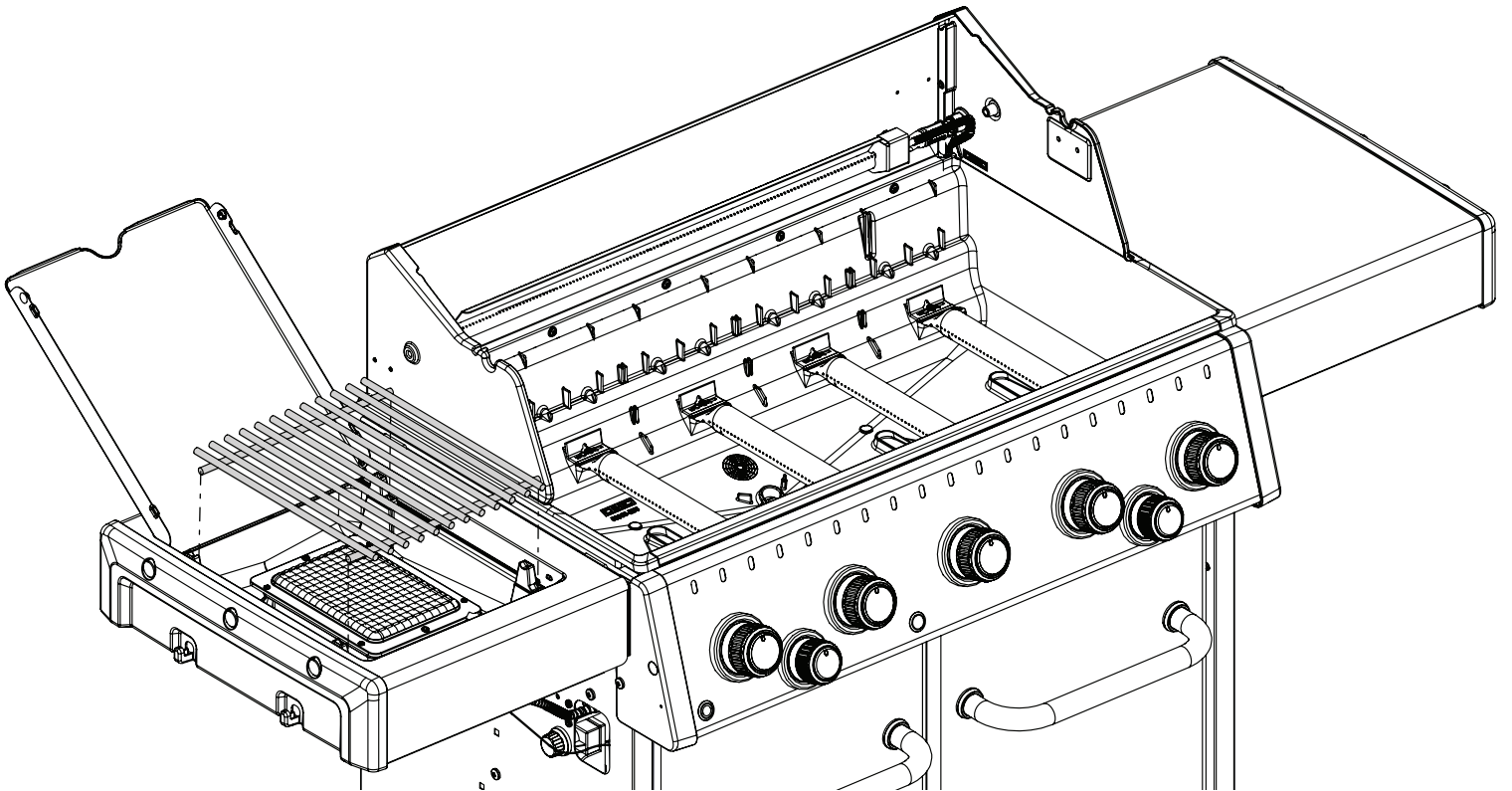


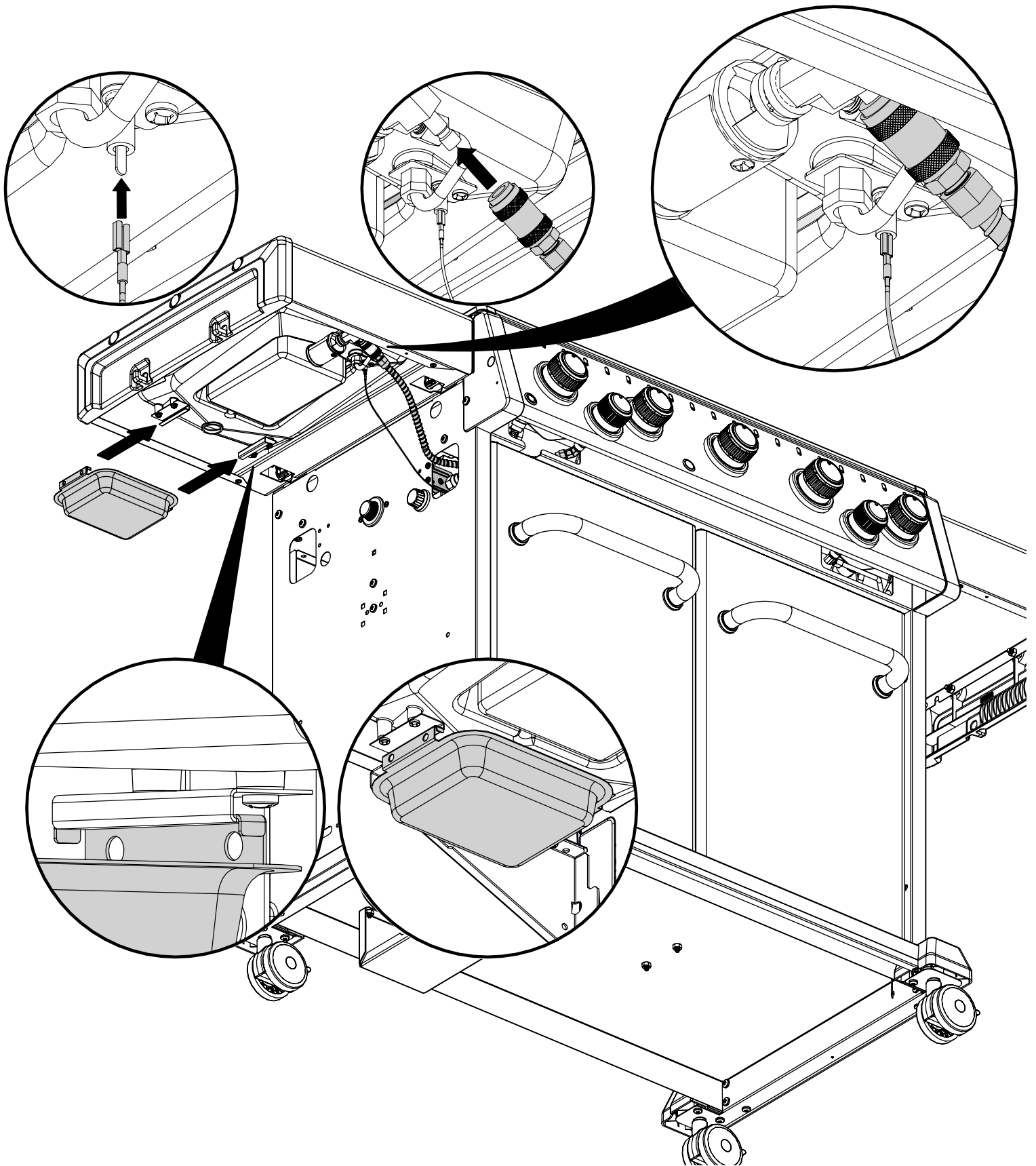


19

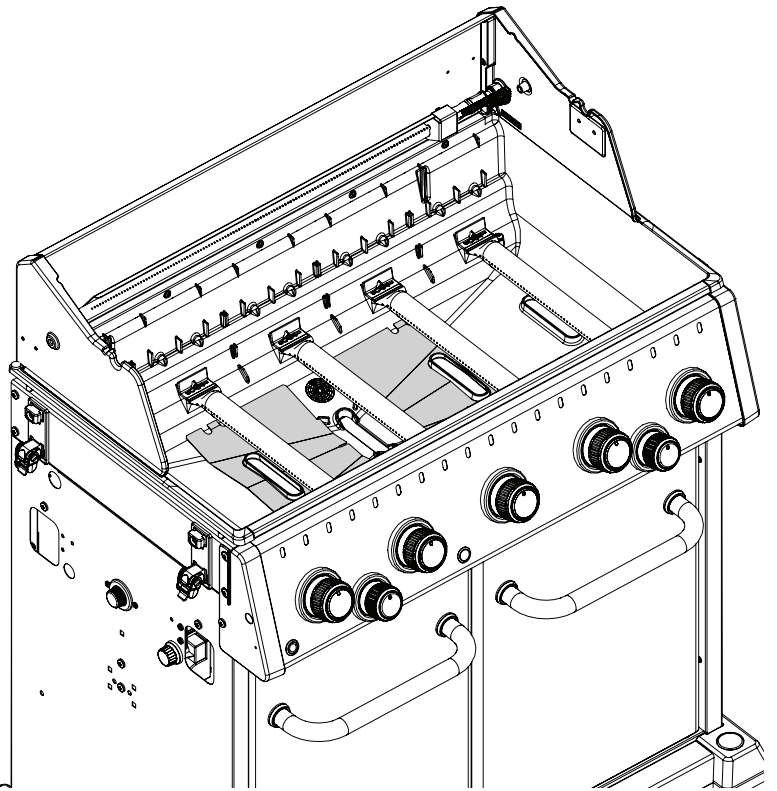
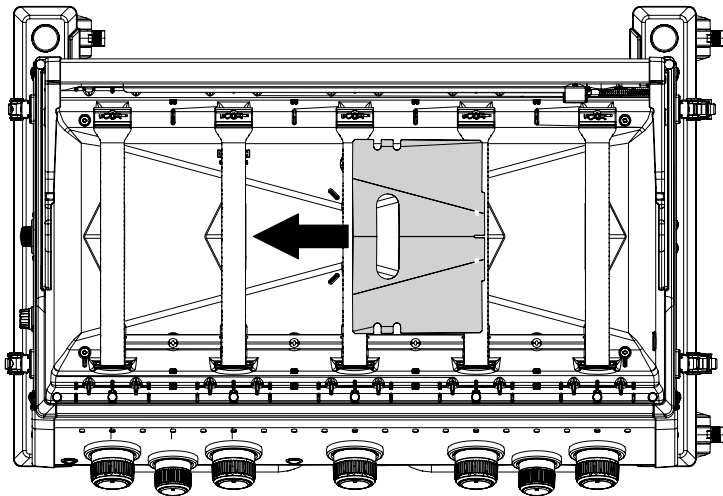


20

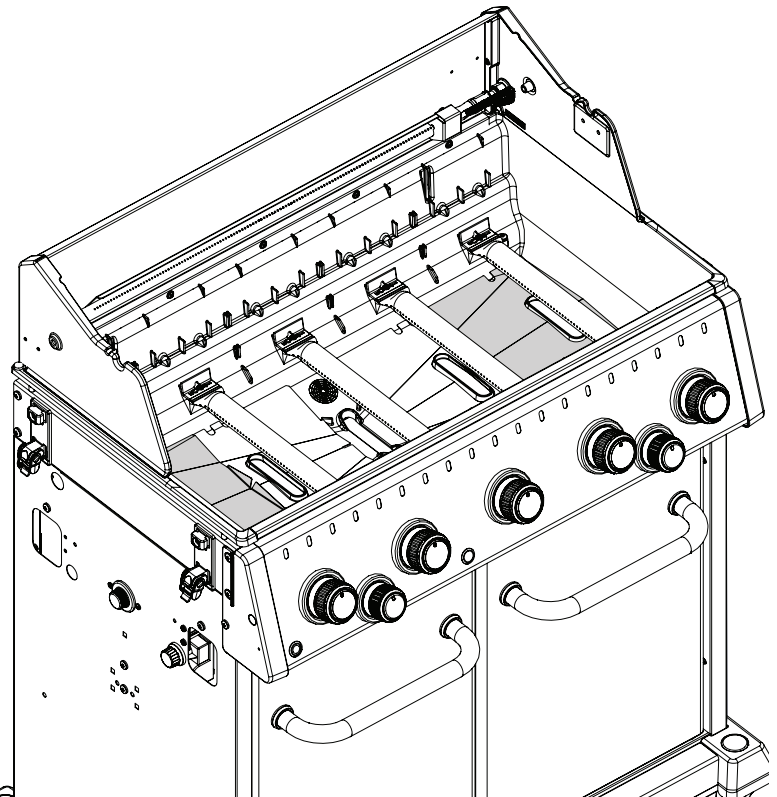
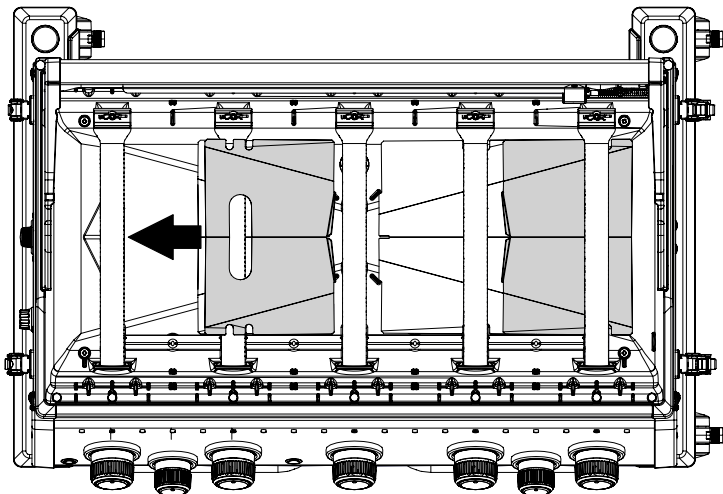




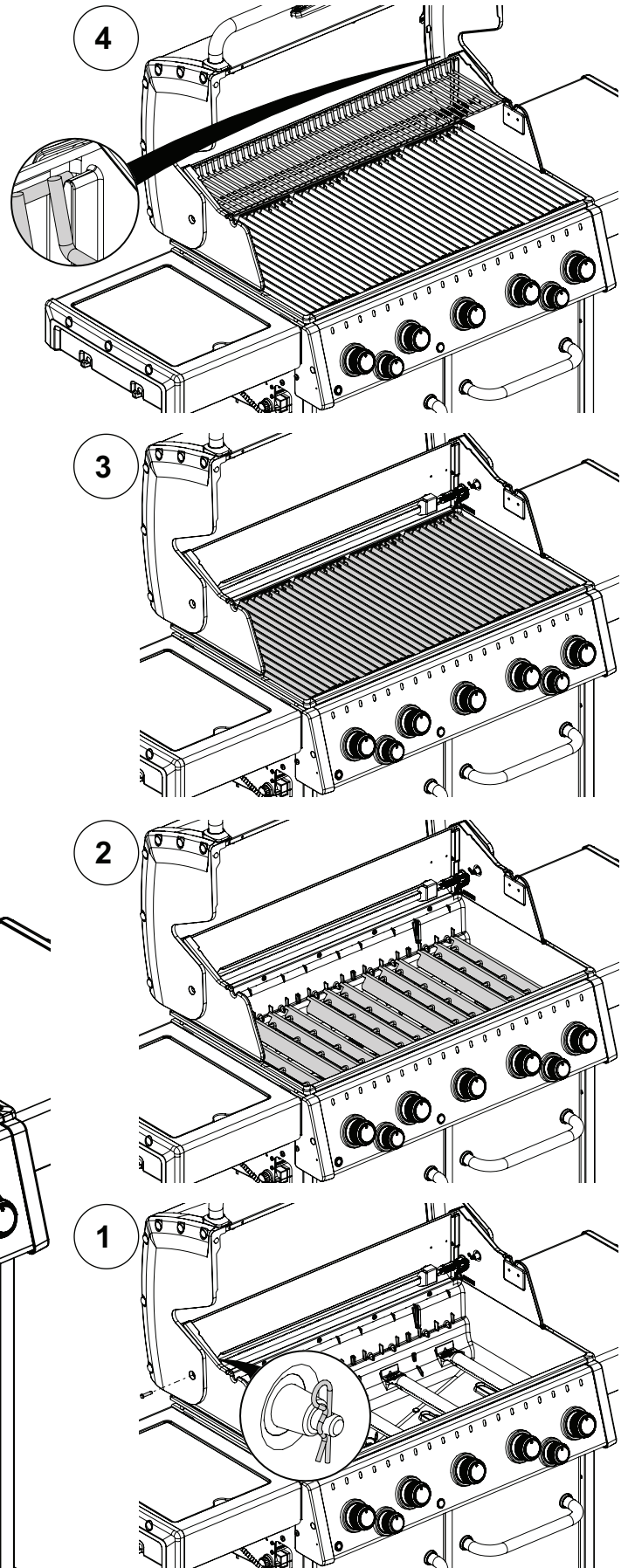
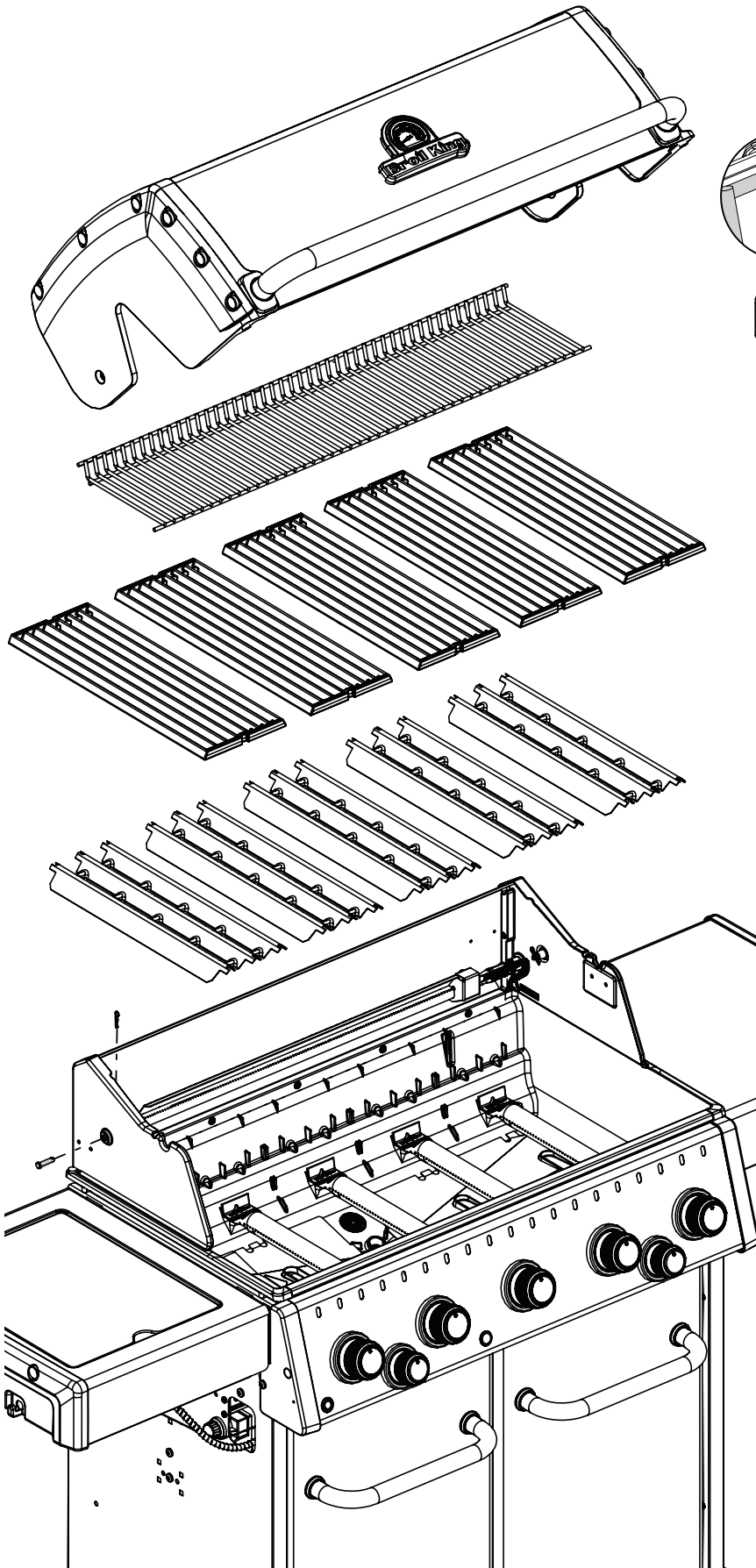
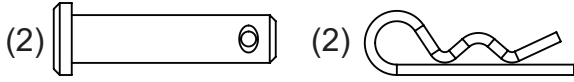
22



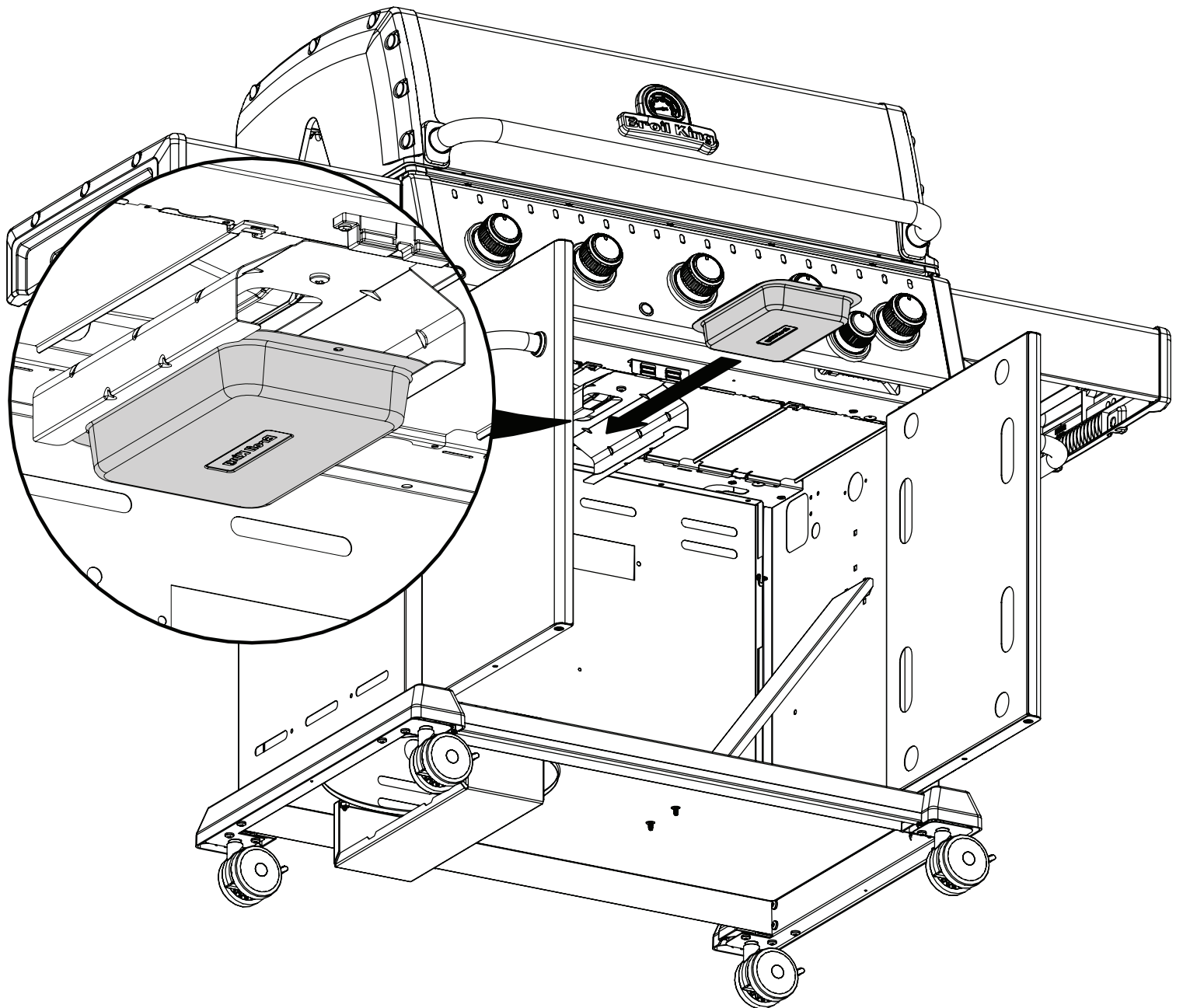
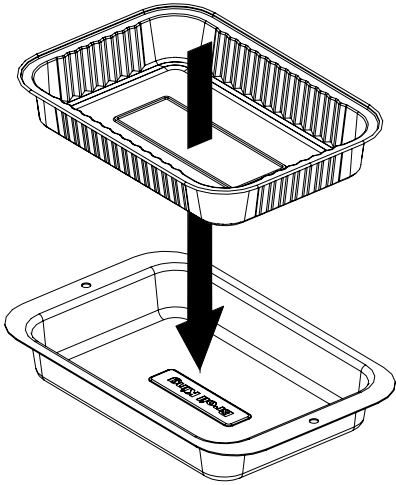
23



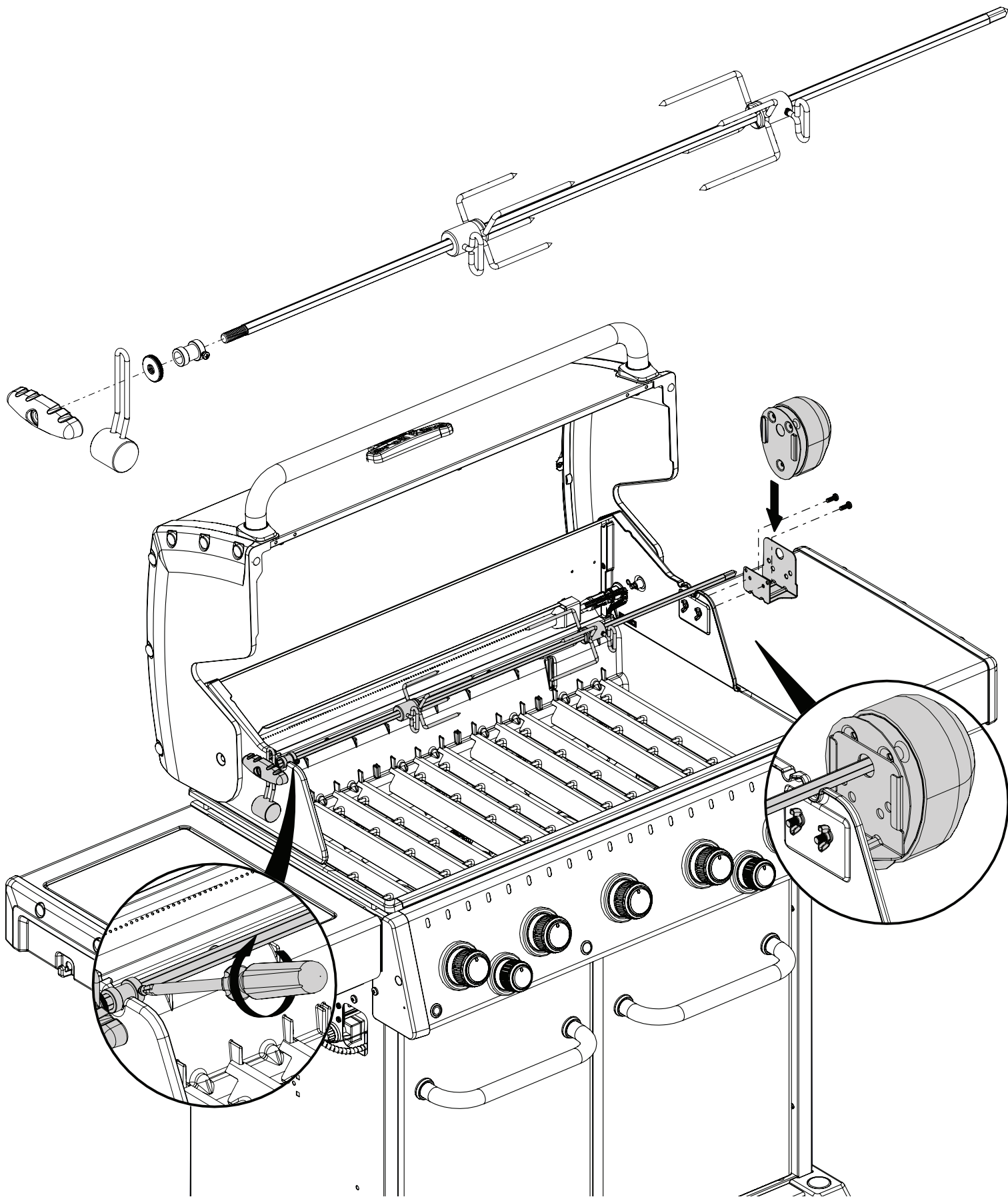
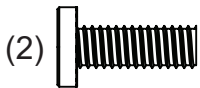
24



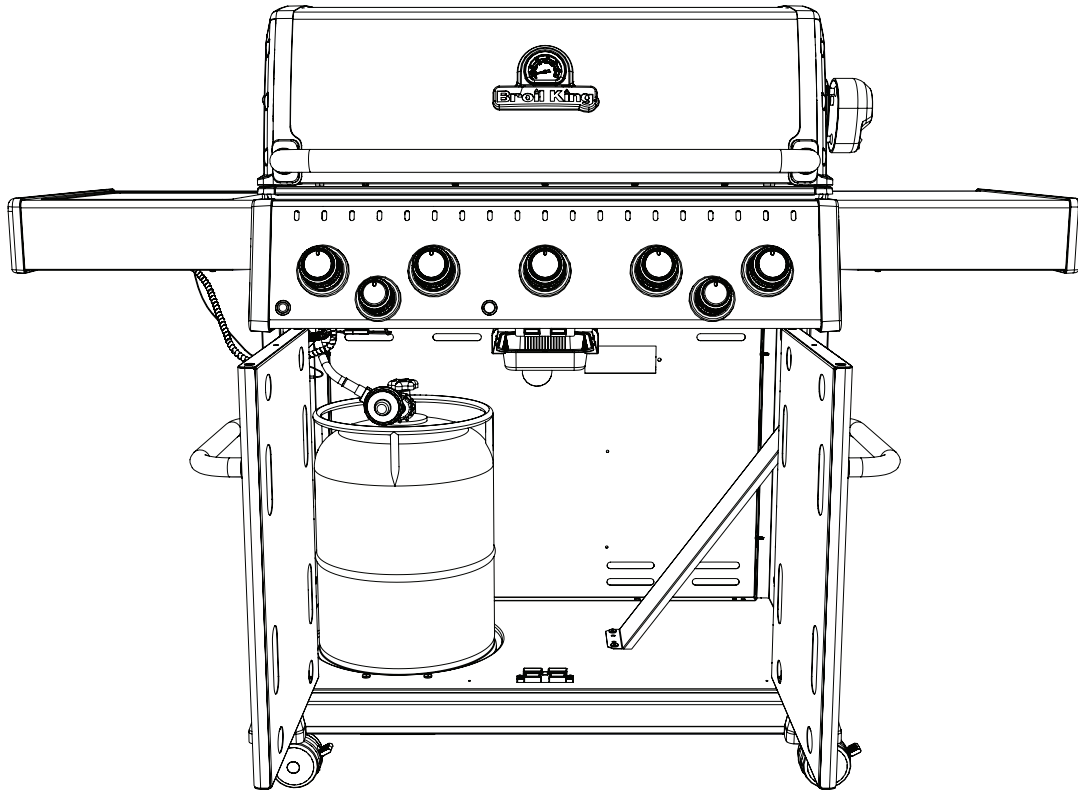
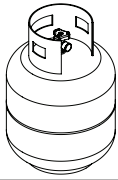
25



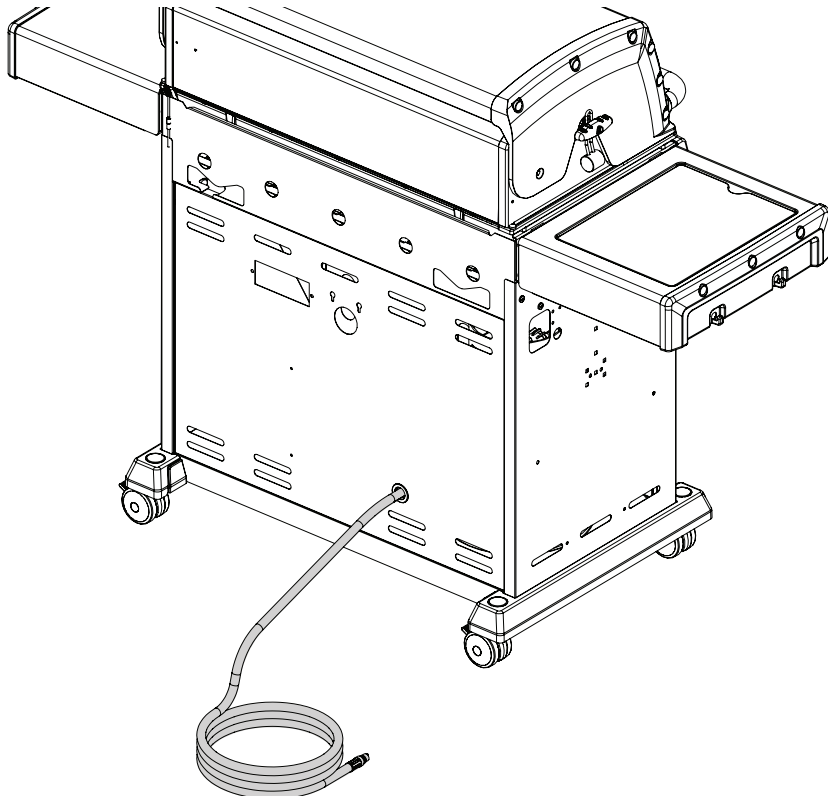
26



27



28



PARTS LIST / LISTE DES PIECES

<u>KEY #</u>	<u>ITEM #</u>	<u>DESCRIPTION</u>	<u>8769-82</u>	<u>8769-83</u>	<u>8769-83FRSP</u>	<u>8769-86</u>
1	50909-E551	CASTING BOTTOM	1	1	1	1
2	66006-304	LID ASSEMBLY	1	1	1	1
3	52019-911	FIRE BOX END CAP - LH	1	1	1	1
4	52019-931	FIRE BOX END CAP - RH	1	1	1	1
5	52049-042	HEAT SHIELD	4	4	4	4
7	Y-11544S	SCREW - BURNER	5	5	5	5
8	S21242	BURNER CLIP	5	5	5	5
12	52316-151	HOOD PANEL	1	1	1	1
13	52036-914	FIRE BOX TRIM	1	1	1	1
18	52005-281	GRID - SINGLE CI	5	5	3	5
19	52000-201	GRIDDLE - CI	.	.	1	.
20	52006-991	GRID - WARMING RACK	1	1	1	1
21	59806-072IR	CONTROL ASSEMBLY	1	.	.	.
	59806-073IR	CONTROL ASSEMBLY	.	1	1	.
	59806-076IR	CONTROL ASSEMBLY	.	.	.	1
22	22026-904	COLLECTOR BOX	1	1	1	1
24	10111-16A	CONNECTOR HOSE	1	1	1	1
25	52929-104D	BURNER	5	.	.	.
	52929-104E	BURNER	.	5	5	5
26	22001-769	CONTROL KNOB	5	5	5	5
26A	22001-669	CONTROL KNOB	2	2	2	2
27	22002-264	CONTROL BEZEL	5	5	5	5
27A	22001-164	CONTROL BEZEL	2	2	2	2
28	52006-894	CONTROL COVER	1	1	1	1
29	Y-12678	KNOB STOP CLIP	1	1	1	1
30	Y-12674	KNOB ADAPTOR	1	1	1	1
31	52009-918	EDGE CAP - LH	1	1	1	1
32	52009-938	EDGE CAP - RH	1	1	1	1
33	10153-93	QUICK DISCONNECT FITTING	1	1	1	1
34	S13473-IR	HOSE-SIDE BURNER	1	1	1	1
34A	Y-11230	COTTER PIN	1	1	1	1
35	52039-101	SIDE BRACE	2	2	2	2
36	52809-957	TUBE-REAR BURNER ASSY	1	1	1	1
37	53139-908	SHELF BRACKET	4	4	4	4
38	Y-12620	SHELF LOCK CLIP	4	4	4	4
39	52046-111	BRACE - FRONT / REAR	2	2	2	2
41	10342-E13	ELECTRODE	1	1	1	1
42	10342-E22	ELECTRODE	1	1	1	1
43	10342-E38	ELECTRODE	1	1	1	1
44	10342-45	ELECTRONIC IGNITOR	1	1	1	1
44A	25070-925	WIRE - IGNITOR	1	1	1	1
44B	25070-93	BUTTON - IGNITOR	1	1	1	1
45	10693-074	ORIFICE	1	.	.	.
	10693-081	ORIFICE	.	1	1	.
	10693-121	ORIFICE	.	.	.	1
46	23039-274	GREASE PAN SUPPORT	2	2	2	2
47	20153-64	ORIFICE ADAPTER	1	1	1	1
48	52004-007	GREASE PAN	1	1	1	1
49	51009-007	GREASE TRAY	1	1	1	1
50	52059-101	GREASE TRAY SUPPORT	1	1	1	1
51	52009-104	FLAV-R-WAVE ®	5	5	5	5
52	52349-004	GREASE SHIELD	2	2	2	2
53	52249-004	GREASE SHIELD	2	2	2	2
54	22009-901	GREASE PAN	1	1	1	1
55	10153-79	FITTING	1	1	1	1
56	24006-12A	HANDLE	1	1	1	1

PARTS LIST / LISTE DES PIECES

<u>KEY #</u>	<u>ITEM #</u>	<u>DESCRIPTION</u>	<u>8769-82</u>	<u>8769-83</u>	<u>8769-83FRSP</u>	<u>8769-86</u>
57	10110-74	TUBE - COMPRESSION FITTING	1	1	1	1
58	54009-936	BEZEL	2	2	2	2
59	10081-BK630	NAMEPLATE	1	1	1	1
60	10571-6	HEAT INDICATOR	1	1	1	1
65	20005-000	MATCH LIGHT - STICK	1	1	1	1
68	51276-214A	DOOR	1	1	1	1
69	51276-234A	DOOR	1	1	1	1
70	21106-13	HANDLE	2	2	2	2
71	21070-13	BEZEL	4	4	4	4
78	56039-211	MAGNET BRACKET	1	1	1	1
80	51189-101	SIDE PANEL	2	2	2	2
81	Y-11992	SCREW 1/4-20 x 2 1/4	4	4	4	4
82	51606-104	BASE TRIM	1	1	1	1
83	51239-901	CABINET BRACKET	1	1	1	.
87	Y-11793	NUT 1/4-20	6	6	6	.
88	21306-921	PANEL - REAR	1	1	1	1
90	51626-131	BASE	1	1	1	.
	51626-171	BASE	.	.	.	1
99	32001-151	CASTOR BRACKET CAP	4	4	4	4
100	51639-108	CASTOR BRACKET	2	2	2	2
101	51039-101	CASTOR BRACKET SUPPORT	2	2	2	2
102	10892-286	CASTOR	4	4	4	4
103	21039-301	TANK BRACKET	1	1	1	
107	Y-12870	WASHER	10	10	10	10
113	10342-T14	SIDE BURNER ELECTRODE	1	1	1	1
114	53150-614	SHELF - RIGHT	1	1	1	1
115	53150-654	SHELF - SB - LEFT	1	1	1	1
123	Y-12117	BUSHING	2	2	2	2
124	23090-27	SIDE BURNER BODY	1	1	1	1
125	23000-253	SIDE BURNER COVER	1	1	1	1
126	20395-2A	SIDE BURNER	1	.	.	.
	20395-3A	SIDE BURNER	.	1	1	.
	20395-6A	SIDE BURNER	.	.	.	1
127	18670	BURNER SCREEN	1	1	1	1
128	23001-79	GRID	1	1	1	1
129	Y-11990	HEX NUT	1	1	1	1
130	27906-354	BURNER ROTISSERIE	1	1	1	1
131	10693-099	REAR BURNER-ORIFICE	1	.	.	.
	10693-104	REAR BURNER-ORIFICE	.	1	1	.
	10693-161	REAR BURNER-ORIFICE	.	.	.	1
133	S15271	HANDLE	1	1	1	1
134	S15270	BALANCER	1	1	1	1
135	S15299	WASHER	1	1	1	1
136	S15263	BUSHING	1	1	1	1
137	S15259	SPIT ROD	1	1	1	1
138	S15287	4 PRONG FORKS	2	2	2	2
139	57039-901	ROTISSERIE BRACKET	1	1	1	1
140	S21125S	SCREW #8 X 1/2	10	10	10	10
141	Y-11559	BOLT 1/4-20 X 1	2	2	2	2
144	Y-12220	BUSHING	.	.	.	1
145	S21235	HINGE PIN	2	2	2	2
146	S21233	HITCH PIN CLIP	2	2	2	2
147	Y-11231	LID BUMPER	4	4	4	4
148	10240-20	DOOR PIN	2	2	2	2
149	Y-11551	SHOULDER SCREW 1/4-20 X 1	2	2	2	2
150	Y-12124	DOOR PIN CAP	2	2	2	2

PARTS LIST / LISTE DES PIECES

<u>KEY #</u>	<u>ITEM #</u>	<u>DESCRIPTION</u>	<u>8769-82</u>	<u>8769-83</u>	<u>8769-83FRSP</u>	<u>8769-86</u>
151	Y-12857	WASHER	4	4	4	4
152	Y-12229	MAGNET	1	1	1	1
153	Y-12223	MAGNET - PUSH IN	2	2	2	2
154	Y-12129	WIRE CLIP	3	3	3	3
155	S21124	SCREW #8 X 1/2	8	8	8	8
157	Y-12835	SCREW #6-32 X 1/4	2	2	2	2
158	Y-12646	SCREW SHOULDER #8 X 1/2	2	2	2	2
159	S21127S	SCREW #8-32 X 7/16	21	21	21	21
160	Y-29304	BOLT #10-24 X 3/8	6	6	6	6
161	Y-12310	SCREW 1/4-20 X 3/4	8	8	8	8
163	S35094	SCREW #10-24 X 5/8	4	4	4	4
169	S21061	WING NUT	2	2	2	2
170	S15517-011	ELECTRODE ASSEMBLY	1	1	1	.
	S15517-018	ELECTRODE ASSEMBLY	.	.	.	1
171	S15246	MOTOR	1	1	1	1
172	S15524	ELECTRODE	1	1	1	1
173	S21362	SPRING	1	1	1	1
180	S35095	SCREW #10-24 X 5/8	2	2	2	2
181	25030-73	WIRE - BATTERY PACK	1	1	1	1
181A	25070-95	LIGHT SWITCH	1	1	1	1
184	25080-80	BATTERY PACK	1	1	1	1
186	Y-12865	SCREW 1/4-20 X 3/4	52	52	52	46
190	25020-83	WIRE - LED LIGHT	1	1	1	1
191	25020-84	WIRE - LED LIGHT	1	1	1	1

