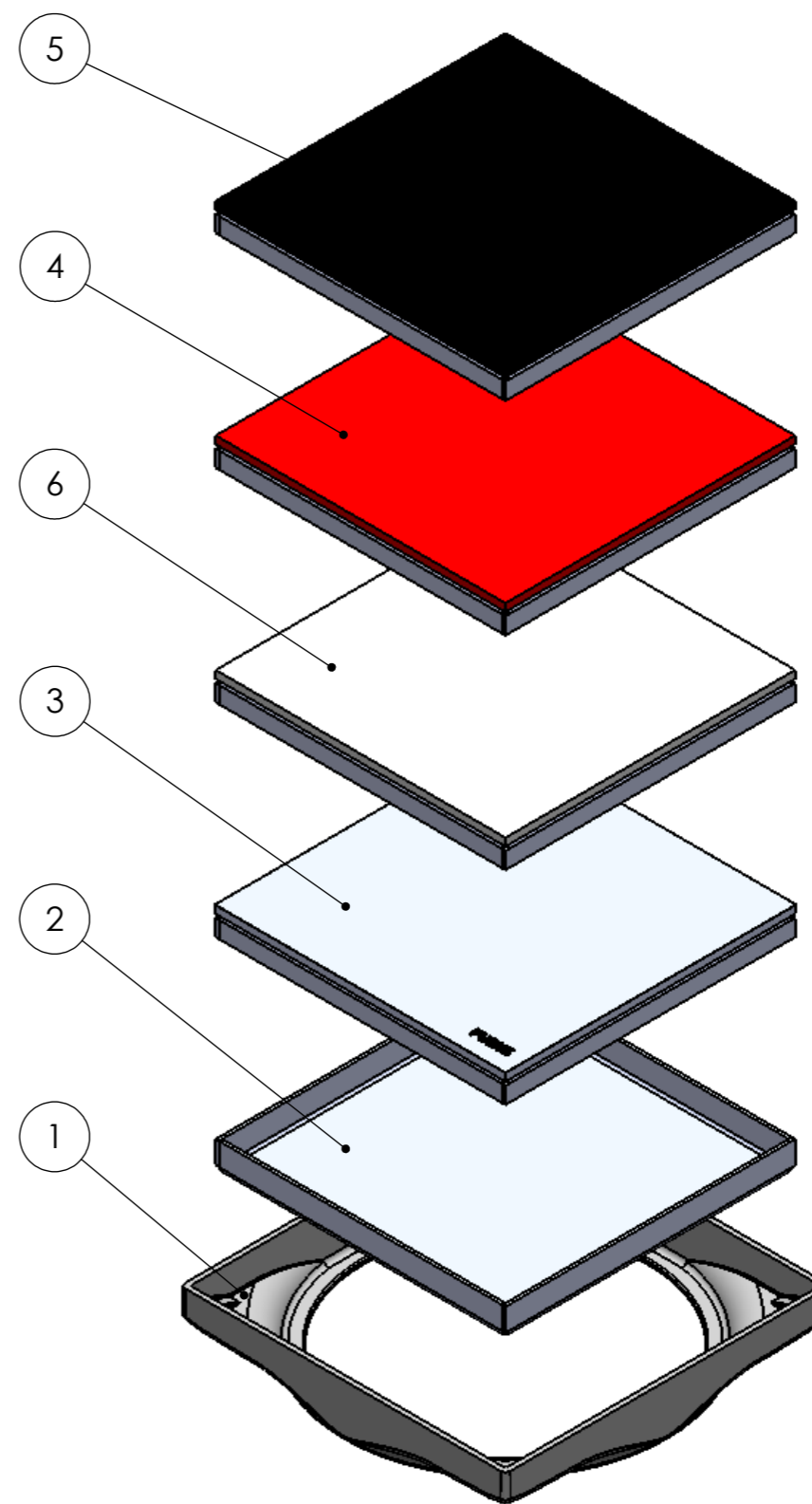
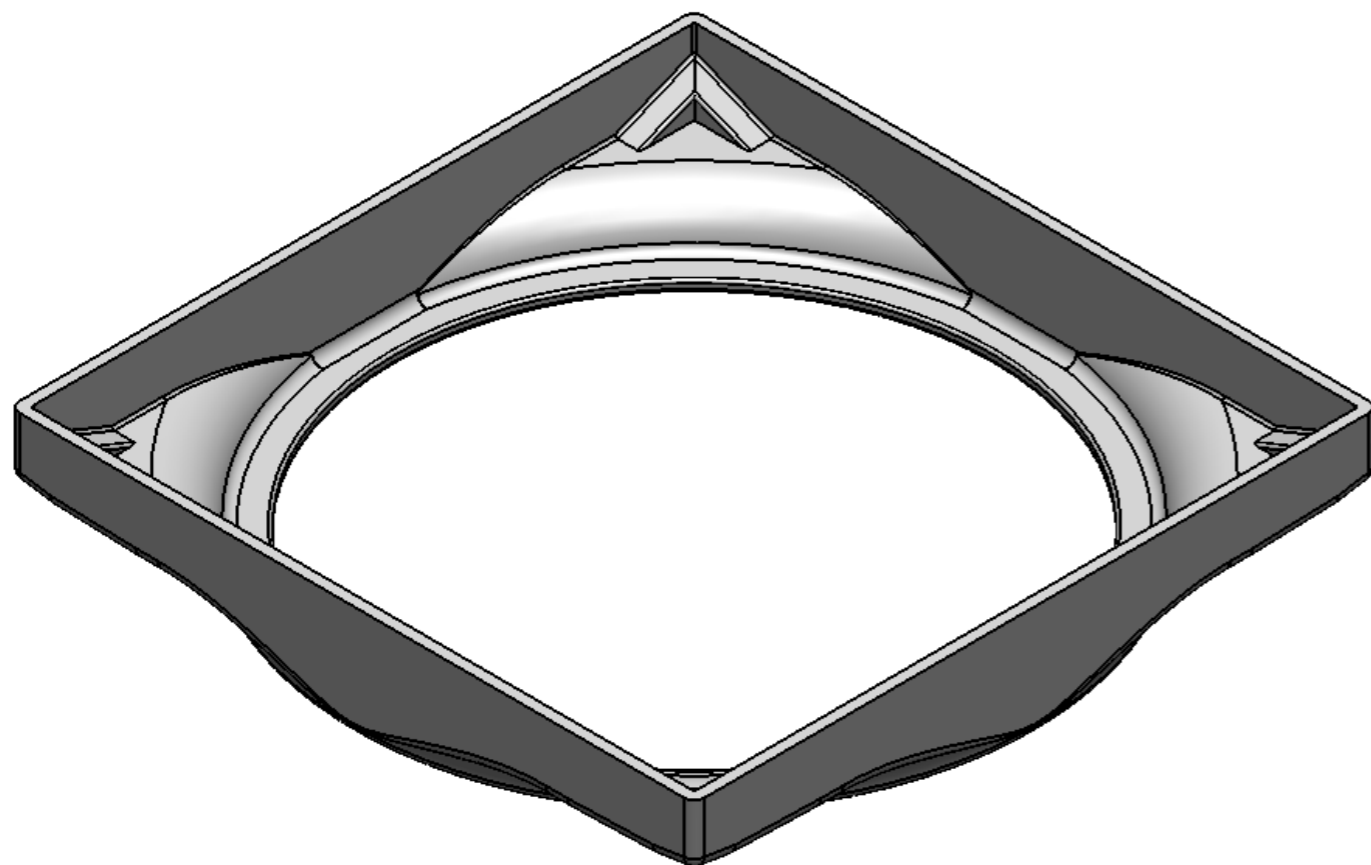


This document must not be copied without our written permission, and the contents thereof must not be imported to a third party nor be used for any unauthorized purpose. Contravention will be prosecuted. Purus AB

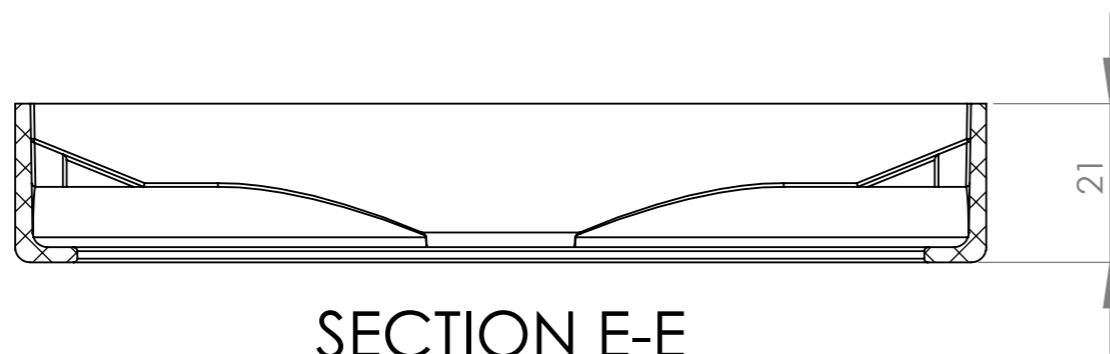


ITEM NO.	PART NUMBER	DESCRIPTION	QTY.
1	25050	<b>Purus Square Frame 130</b>	1
2	854330	<b>Tile Insert 130</b>	1
3	854331	<b>Platinum 130</b>	1
	854332	Underdel Platinum +Pral 130	1
	854333	Platinum ämne 130	1
4	854326-R	<b>Pral 130 Red</b>	1
	854332	Underdel Platinum +Pral 130	1
	854328-R	Pralämne 130 Red	1
5	854326-B	<b>Pral 130 Black</b>	1
	854332	Underdel Platinum +Pral 130	1
	854328-B	Pralämne 130 Black	1
6	854326-W	<b>Pral 130 White</b>	1
	854332	Underdel Platinum +Pral 130	1
	854328-W	Pralämne 130 White	1

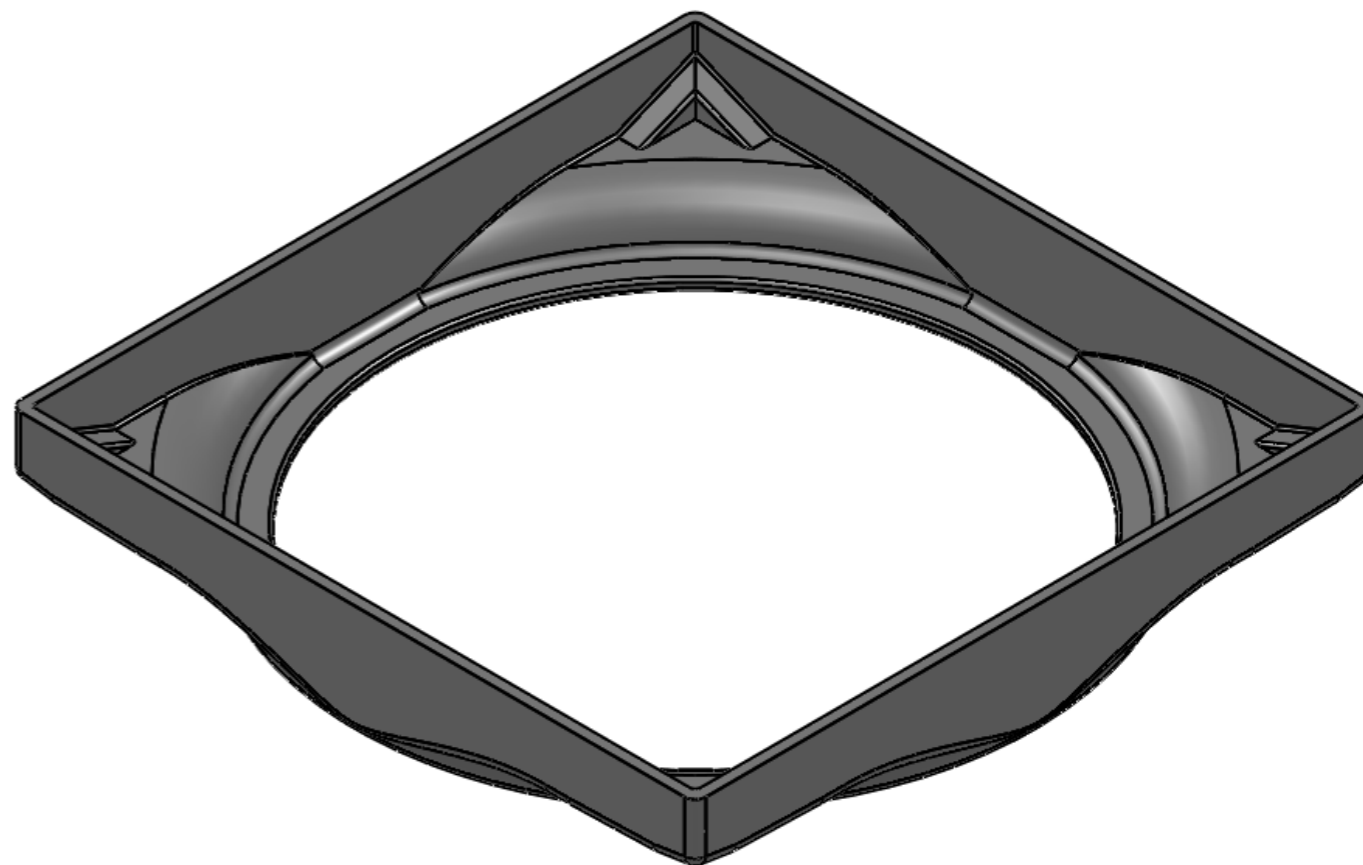
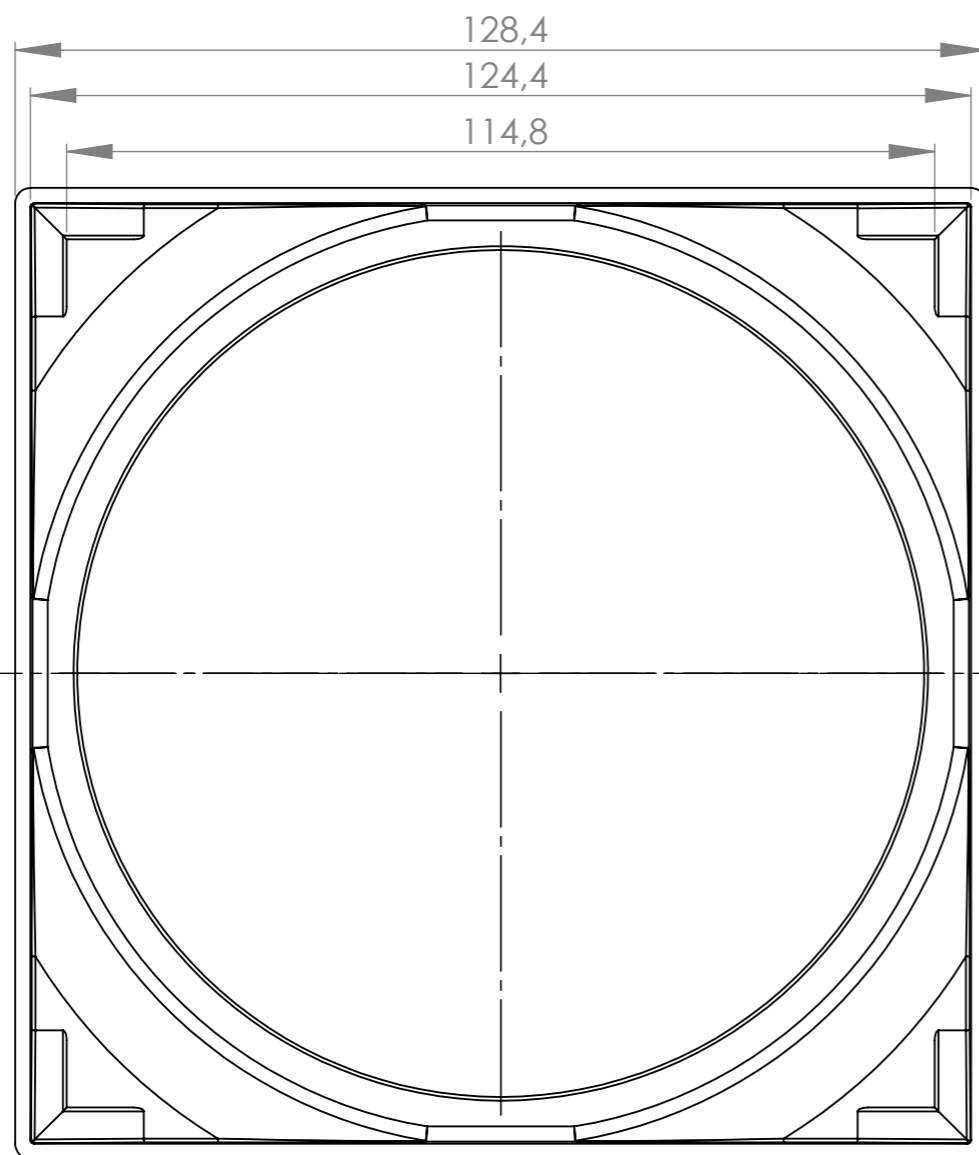
Denna handling får ej utan vårt medgivande kopieras. Den får ej heller delgivas annan eller ejlest obehörigen användas. Överträdelse härav beivras med stöd av gällande lag. Purus AB

Project no 4062	Annotation	A3	Surface treatment	This drawing replace	Date
<b>PURUS</b>	Scale 1:2	Page 1(6)	General tolerance. ISO 2768-1	Weight (gram)	Volume (cm3)
Purus AB Södra Dragongatan 15 SE 271 39 Ystad, SWEDEN Ph. +46 10 4144 900 Fax +46 10 4144 996 www.purus.se	Material	RSK no	Designer EP	Created date 2013-03-08	Edition
Name Purus Square 130			Article no Purus Square 130		

This document must not be copied without our written permission, and the contents thereof must not be imported to a third party nor be used for any unauthorized purpose. Contravention will be prosecuted. Purus AB



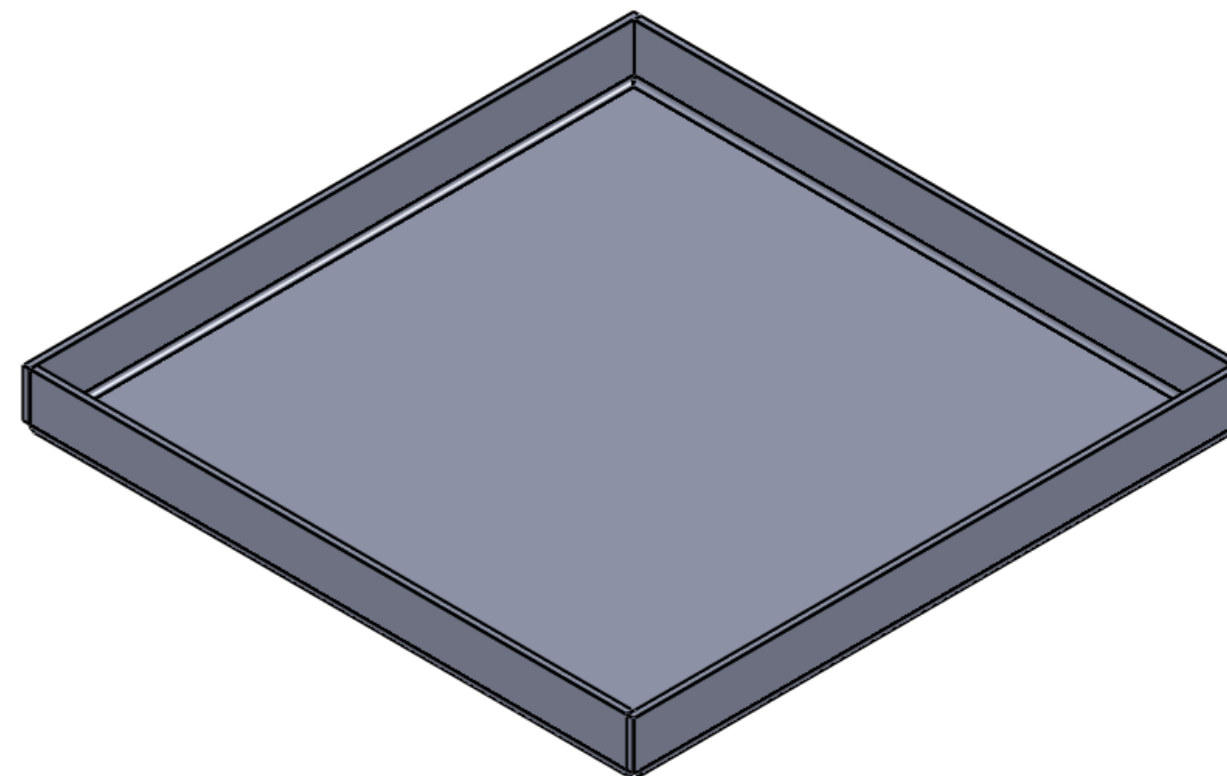
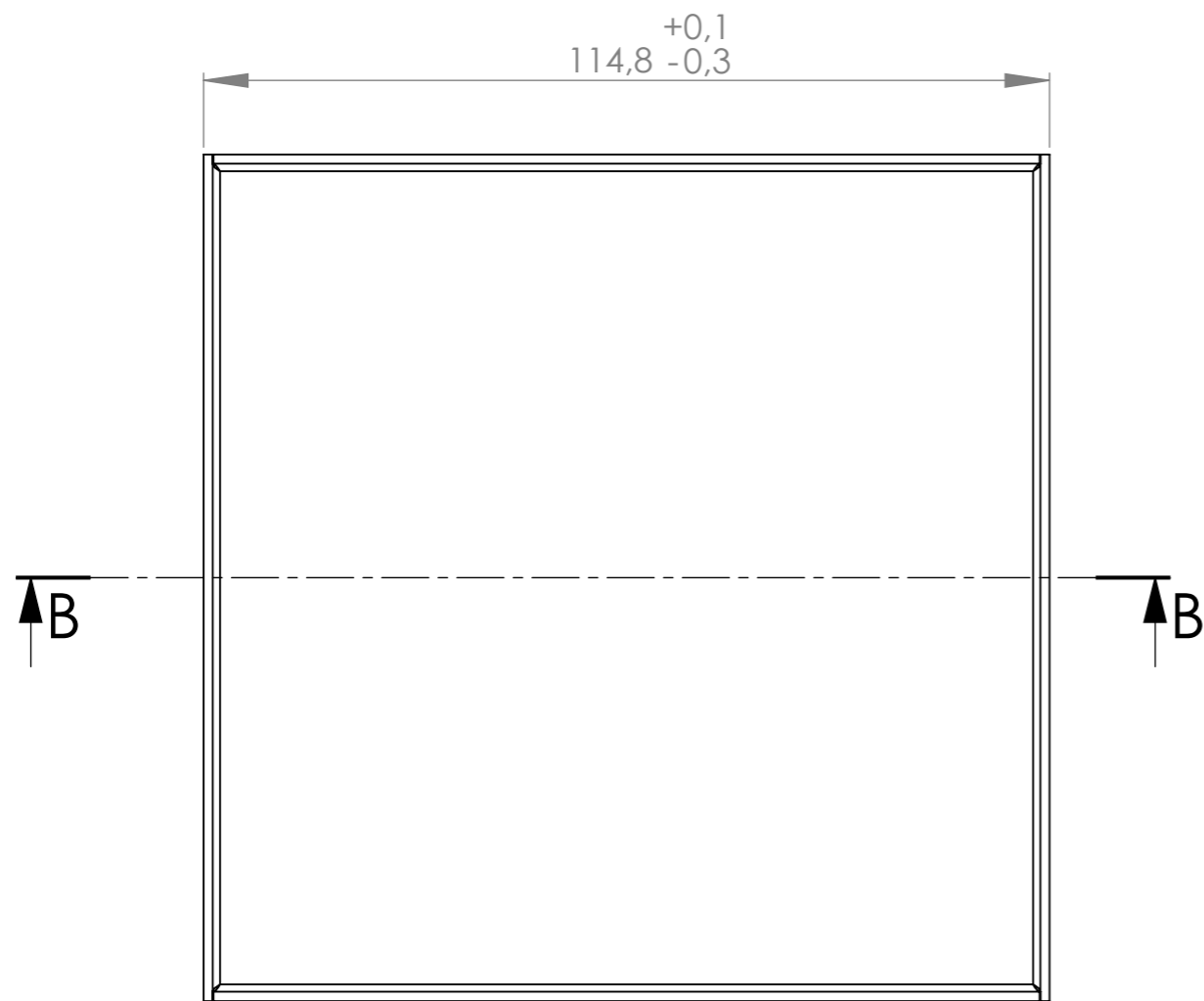
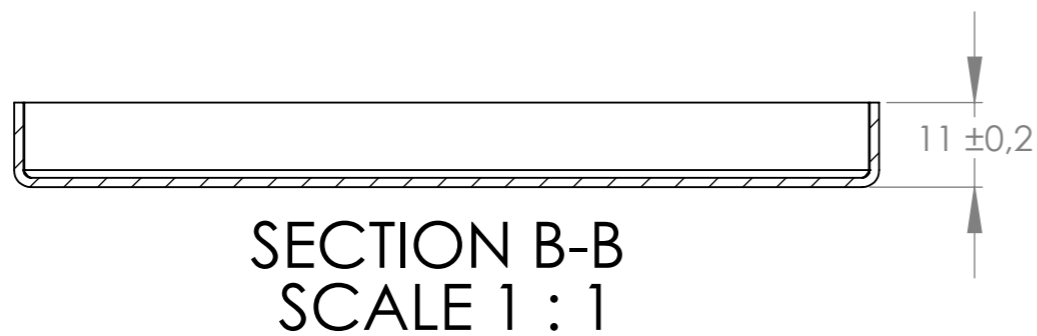
SECTION E-E



Denna handling får ej utan vårt medgivande kopieras. Den får ej heller delgivas annan eller ejlest obehörigen användas. Överträdelse härav beivras med stöd av gällande lag. Purus AB

Project no	Annotation	A3		Surface treatment	This drawing replace		Date	
	-						-	
<b>PURUS</b>	Purus AB Södra Dragongatan 15 SE 271 39 Ystad, SWEDEN Ph. +46 10 4144 900 Fax +46 10 4144 996 www.purus.se	Scale	Page	General tolerance, ISO 2768-1	Weight (gram)	Volume (cm <sup>3</sup> )	Approved by	Date
		1:1	2(6)	-	32.25	30.14	-	-
Material		Name		RSK no		Designer		Created date
ABS PC		Purus Square Frame 130				SWS		2011-07-05
						Article no	Edition	
						25050	1	

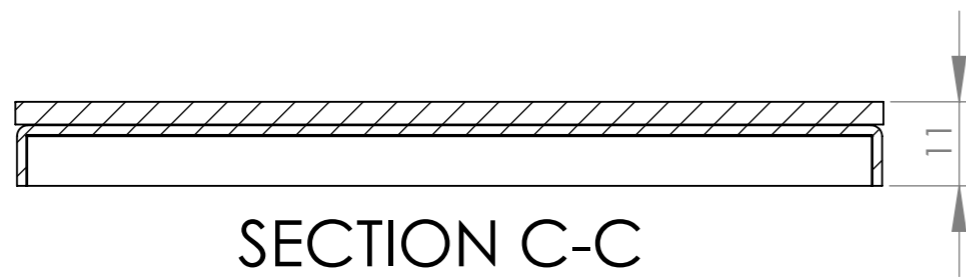
This document must not be copied without our written permission, and the contents thereof must not be imported to a third party nor be used for any unauthorized purpose. Contravention will be prosecuted. Purus AB



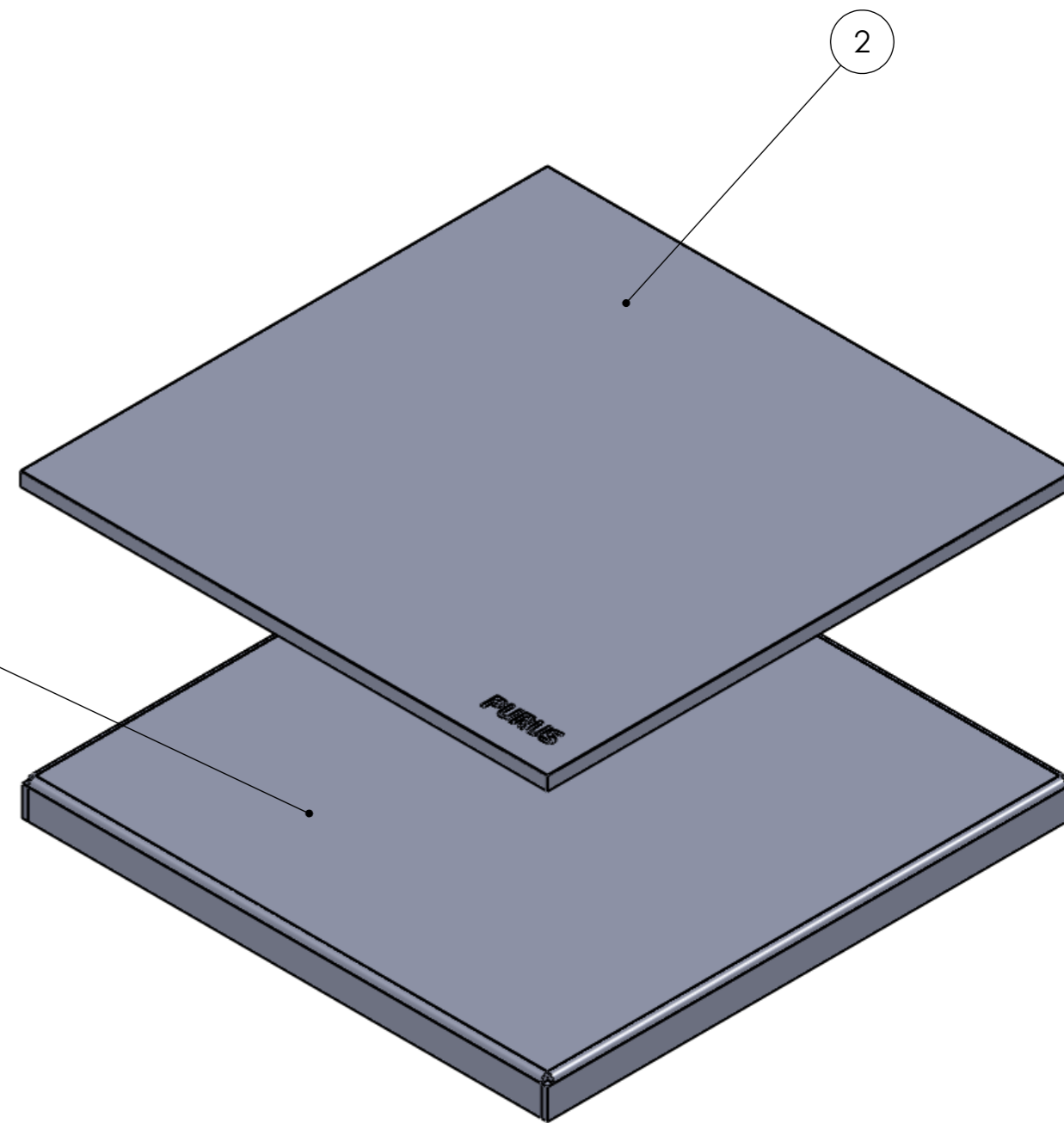
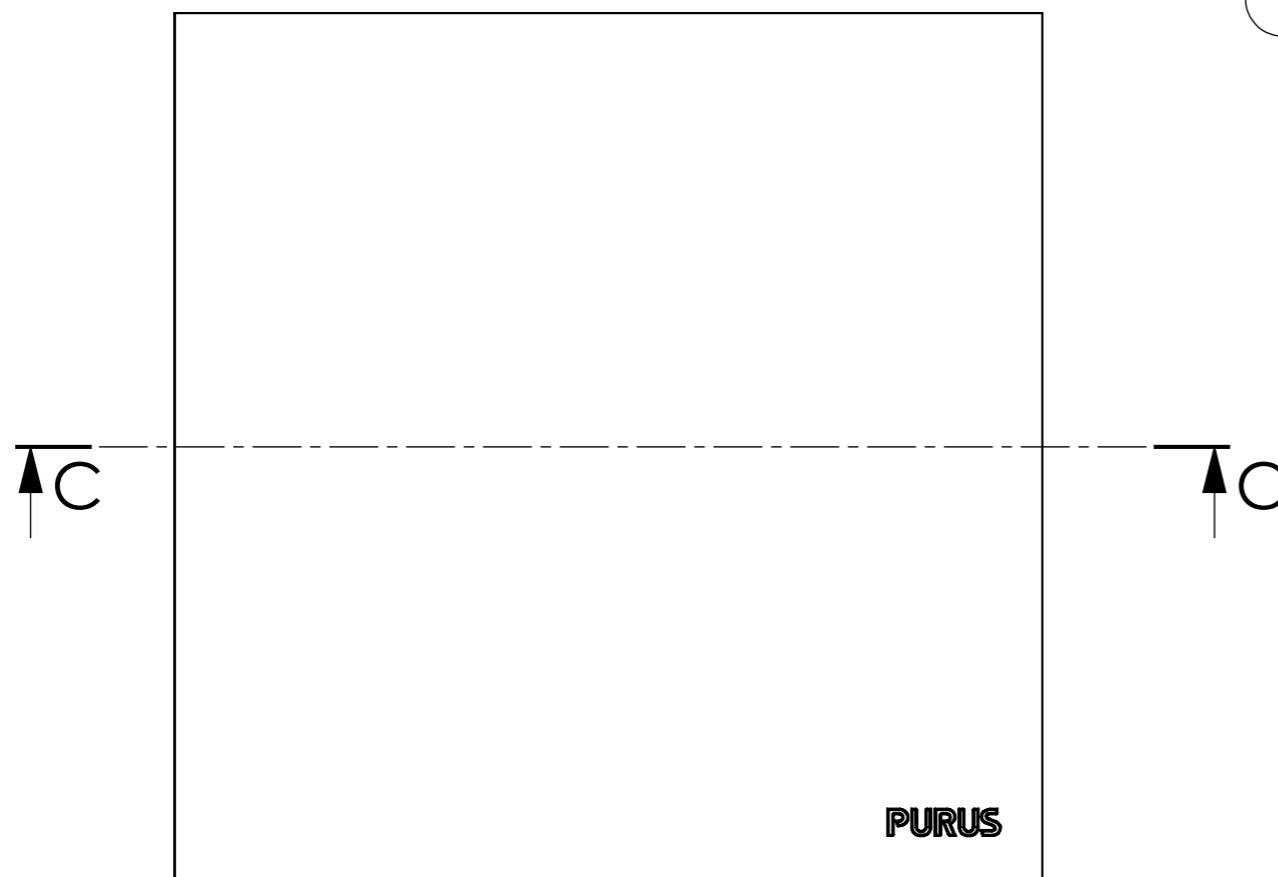
Denna handling får ej utan vårt medgivande kopieras. Den får ej heller delgivas annan eller ejlest obehörigen användas. Överträdelse härav beivras med stöd av gällande lag. Purus AB

Project no 4062	Annotation	A3	Surface treatment	This drawing replace	Date
<b>PURUS</b> Purus AB Södra Dragongatan 15 SE 271 39 Ystad, SWEDEN Ph. +46 10 4144 900 Fax +46 10 4144 996 www.purus.se		Scale 1:2	Page 3(6)	General tolerance. ISO 2768-1	Weight (gram)
		Material 1.4301, 1,25, 2b, plastad	RSK no	Volume (cm3)	Approved by EP
Name Tile Insert 130			Article no 854330	Edition	

This document must not be copied without our written permission, and the contents thereof must not be imported to a third party nor be used for any unauthorized purpose. Contravention will be prosecuted. Purus AB



SECTION C-C  
SCALE 1 : 1

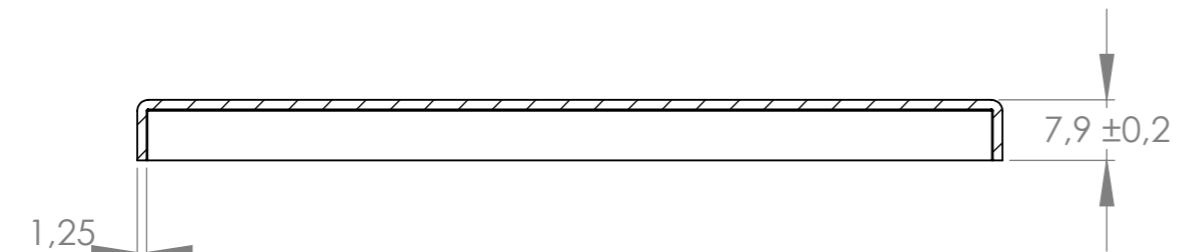


Denna handling får ej utan vårt medgivande kopieras. Den får ej heller delgivas annan eller ejlest obehörigen användas. Överträdelse härav beivras med stöd av gällande lag. Purus AB

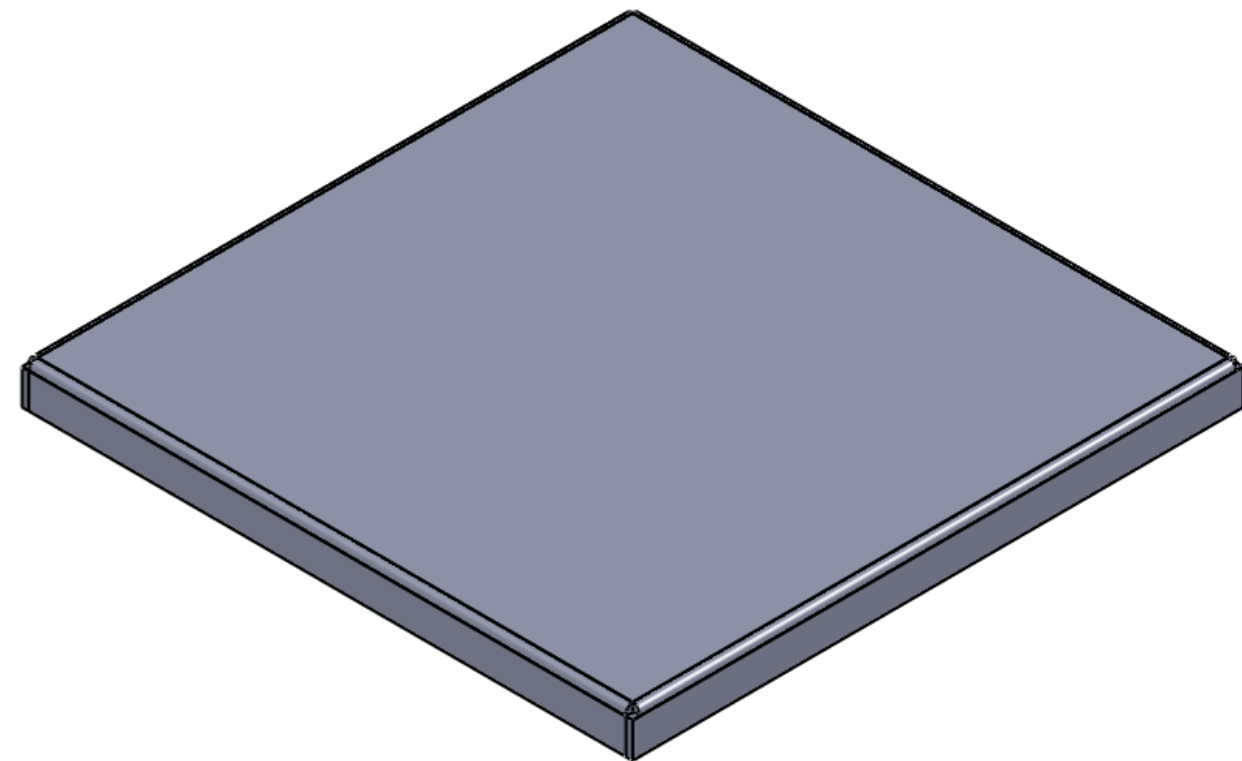
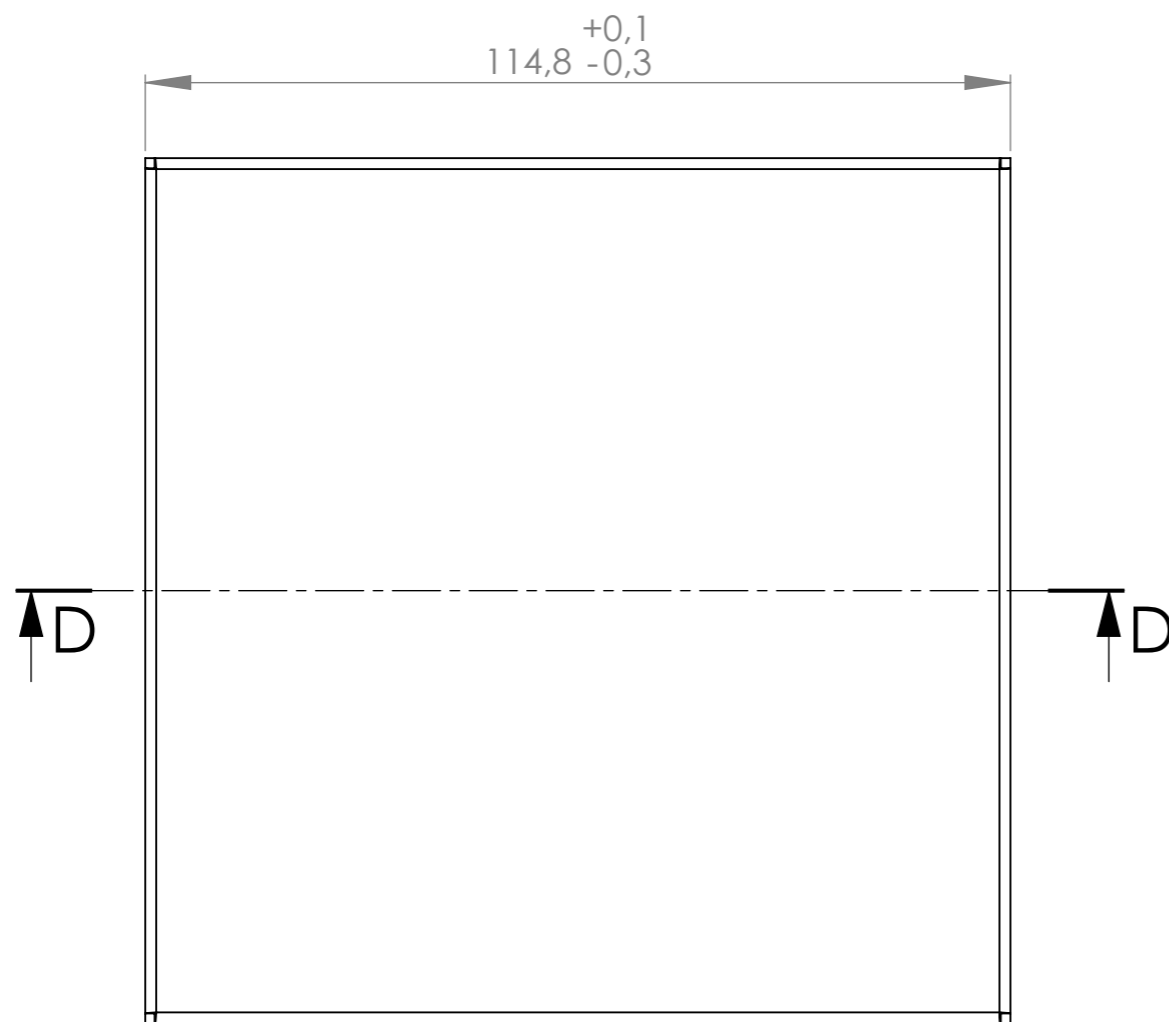
ITEM NO.	PART NUMBER	DESCRIPTION	QTY.
1	854332	Underdel Platinum +Pral 130	1
2	854333	Platinum ämne 130	1

Project no 4062	Annotation	Scale 1:2	Page 4(6)	Surface treatment A3	This drawing replace		Date
<b>PURUS</b>		Material	General tolerance. ISO 2768-1	Weight (gram)	Volume (cm3)	Approved by	Date
Purus AB Södra Dragongatan 15 SE 271 39 Ystad, SWEDEN Ph. +46 10 4144 900 Fax +46 10 4144 996 www.purus.se		Name Steel 130	RSK no	Designer EP	Created date 11-09-21	Article no 854331	
							Edition

This document must not be copied without our written permission, and the contents thereof must not be imported to a third party nor be used for any unauthorized purpose. Contravention will be prosecuted. Purus AB



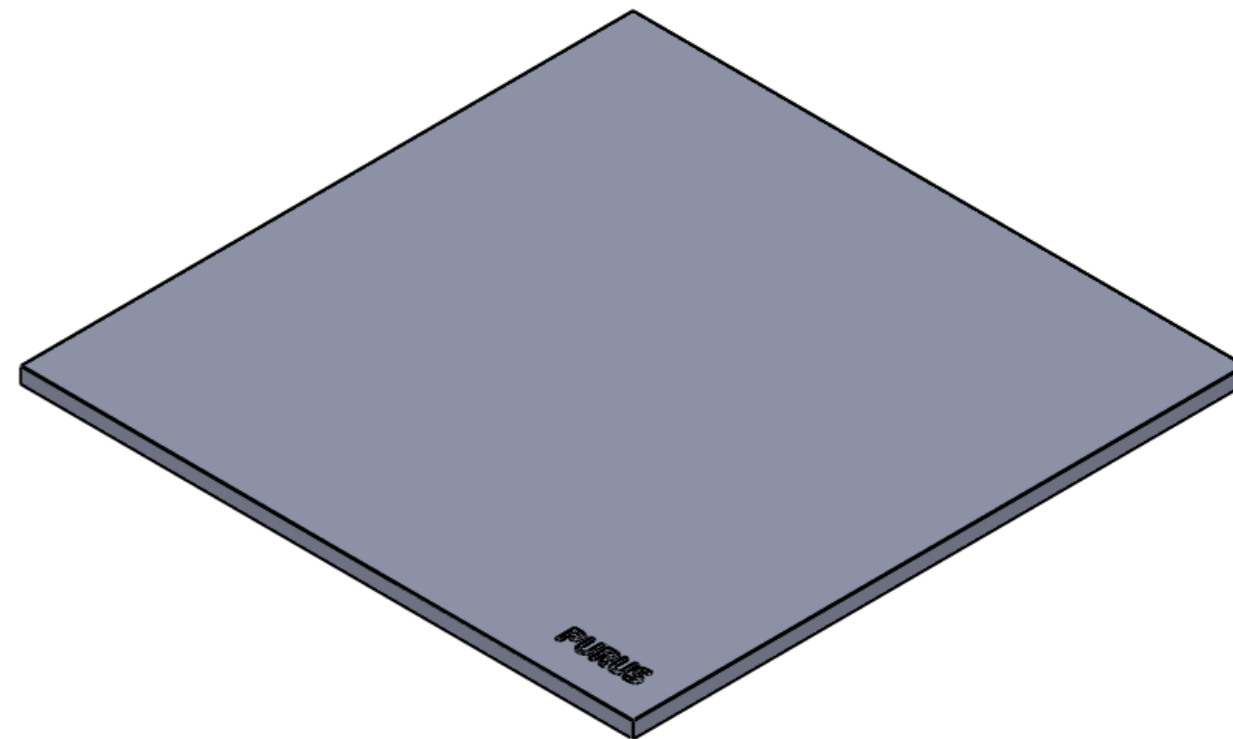
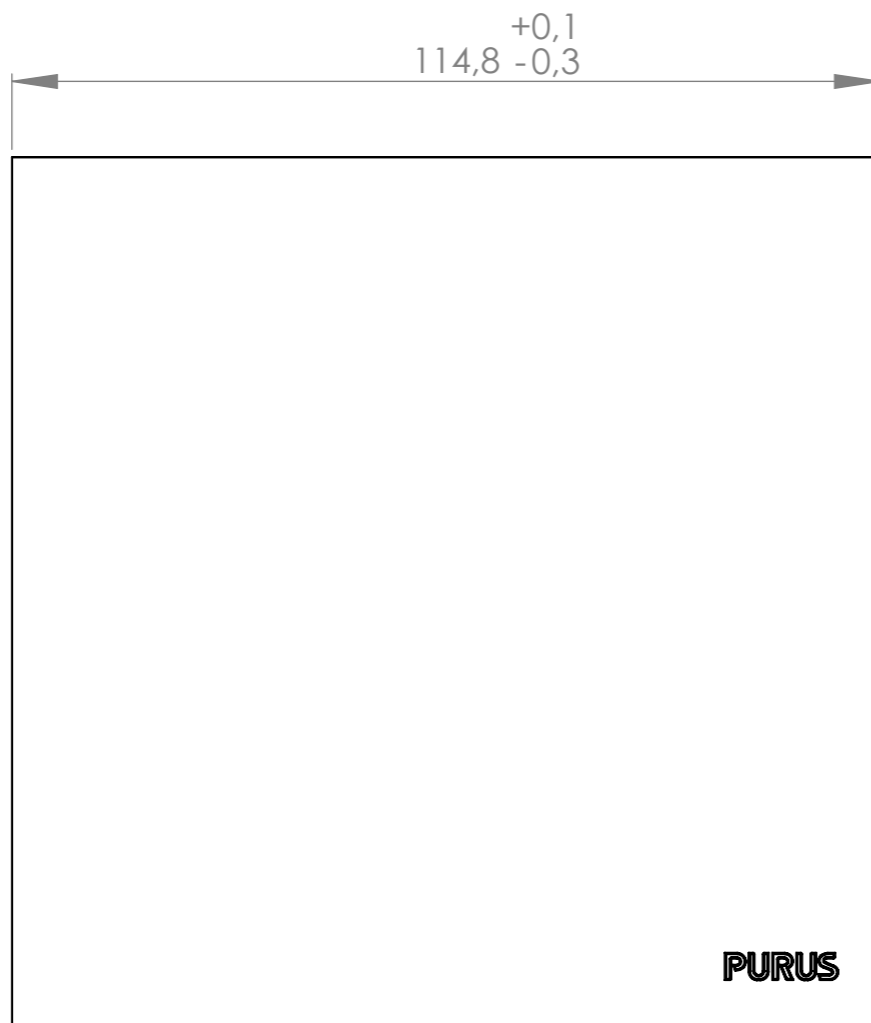
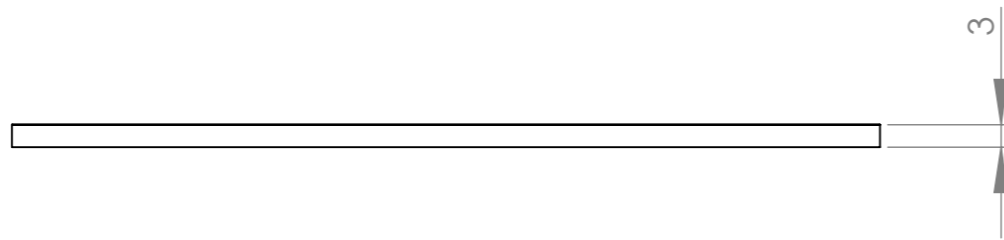
SECTION D-D  
SCALE 1 : 1



Denna handling får ej utan vårt medgivande kopieras. Den får ej heller delgivas annan eller ejlest obehörigen användas. Överträdelse härav beivras med stöd av gällande lag. Purus AB

Project no 4062	Annotation	A3	Surface treatment	This drawing replace	Date
<b>PURUS</b>		Scale 1:2	Page 5(6)	General tolerance, ISO 2768-1	Weight (gram)
Purus AB Södra Dragongatan 15 SE 271 39 Ystad, SWEDEN Ph. +46 10 4144 900 Fax +46 10 4144 996 www.purus.se		Material 1.4301, 2b, 1,25	RSK no	Volume (cm3)	Approved by EP
Name Underdel Platinum/Pral 130			Article no 854332	Created date 11-09-21	Edition

This document must not be copied without our written permission, and the contents thereof must not be imported to a third party nor be used for any unauthorized purpose. Contravention will be prosecuted. Purus AB



Denna handling får ej utan vårt medgivande kopieras. Den får ej heller delgivas annan eller ejlest obehörigen användas. Överträdelse härav beivras med stöd av gällande lag. Purus AB

Project no 4062	Annotation	A3	Surface treatment	This drawing replace	Date			
 Purus AB Södra Dragongatan 15 SE 271 39 Ystad, SWEDEN Ph. +46 10 4144 900 Fax +46 10 4144 996 www.purus.se		Scale 1:2	Page 6(6)	General tolerance, ISO 2768-1	Weight (gram)	Volume (cm3)	Approved by	Date
	Material 1.4301, slip, plast, 3mm	RSK no		Designer EP	Created date 11-09-21			
Name Ämne Platinum 130				Article no 854333	Edition			