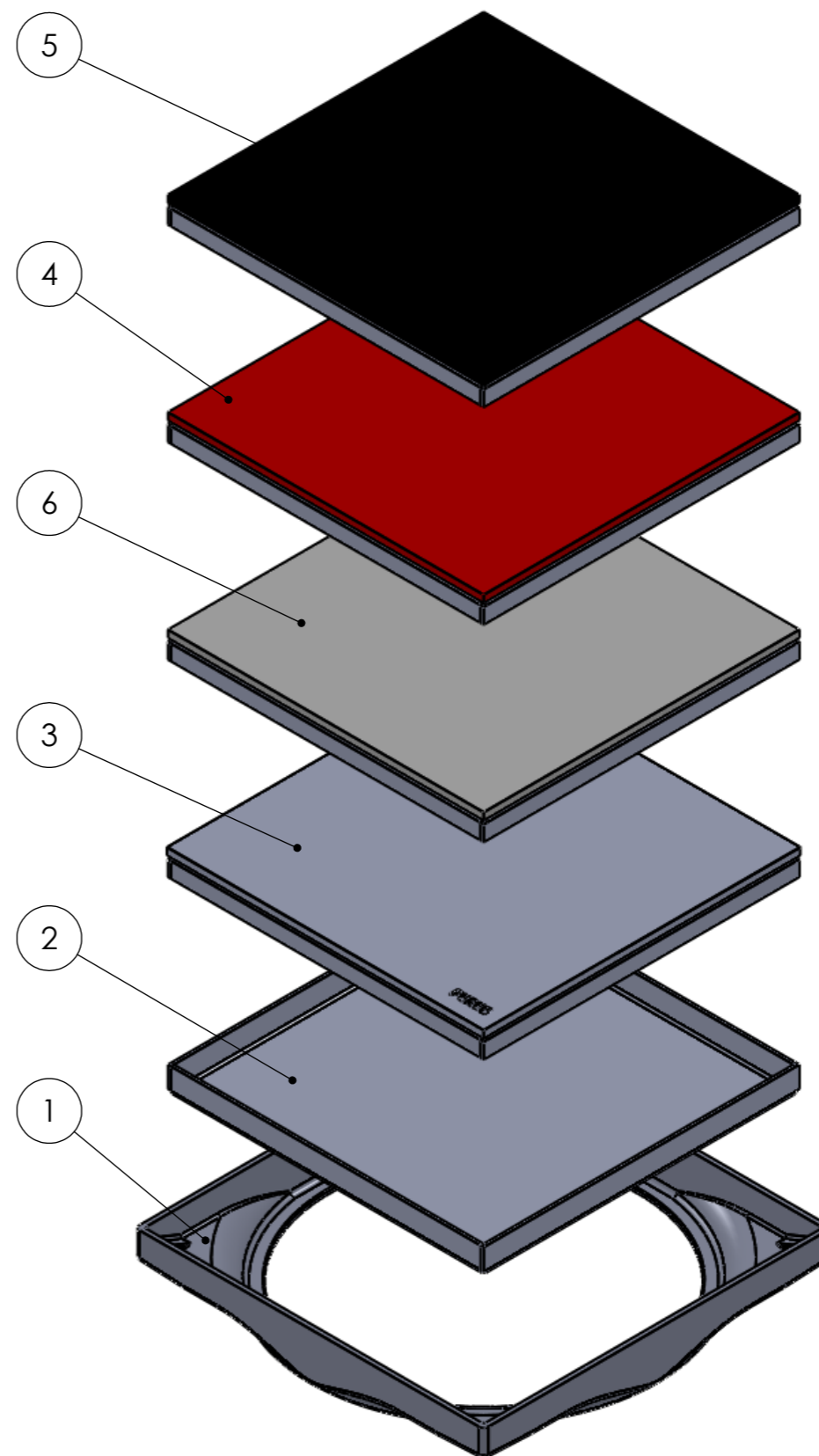
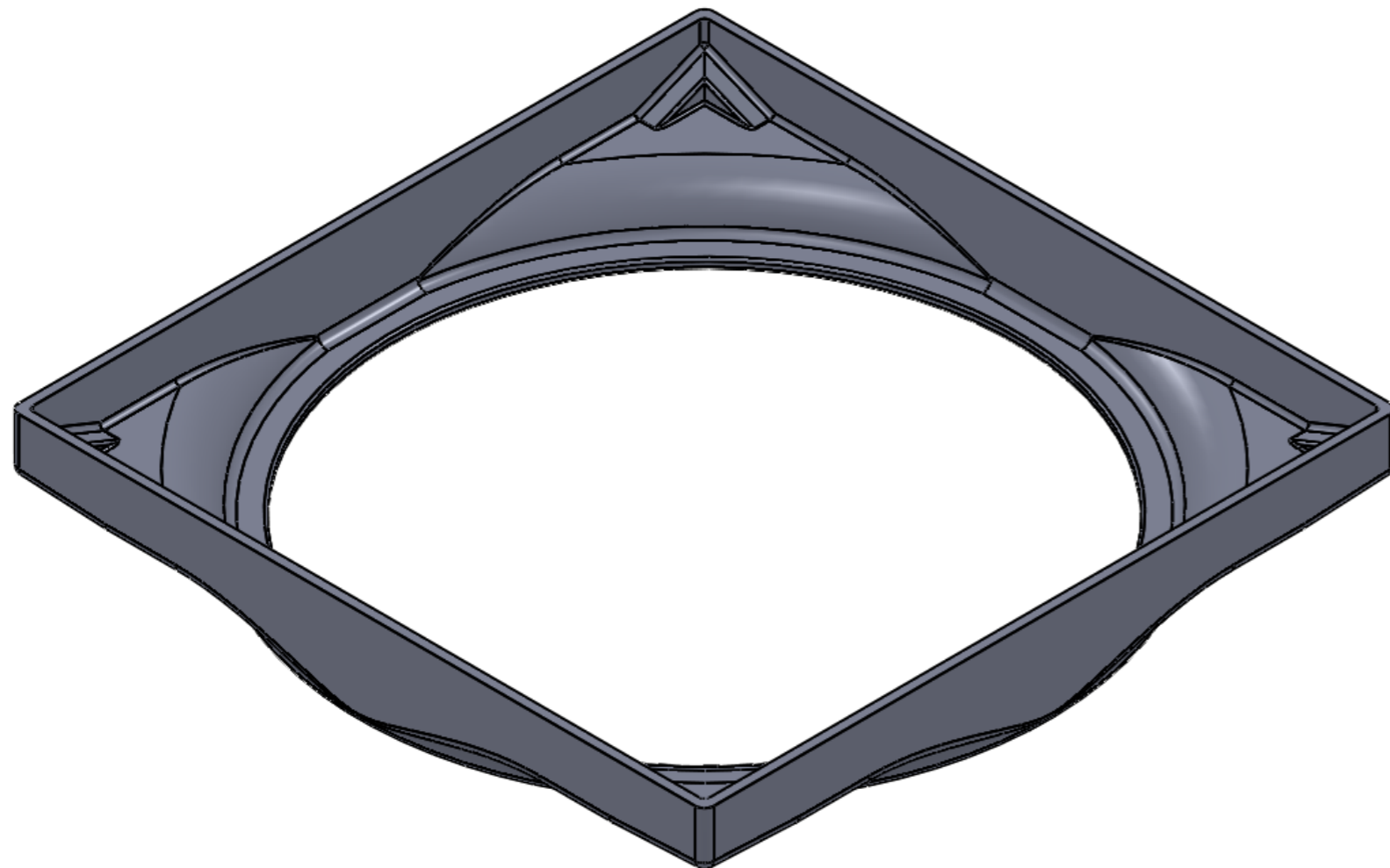


This document must not be copied without our written permission, and the contents thereof must not be imported to a third party nor be used for any unauthorized purpose. Contravention will be prosecuted. Purus AB



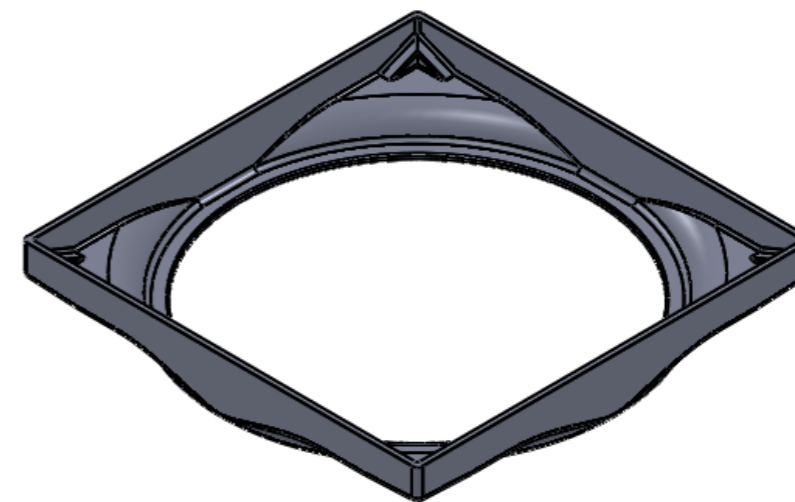
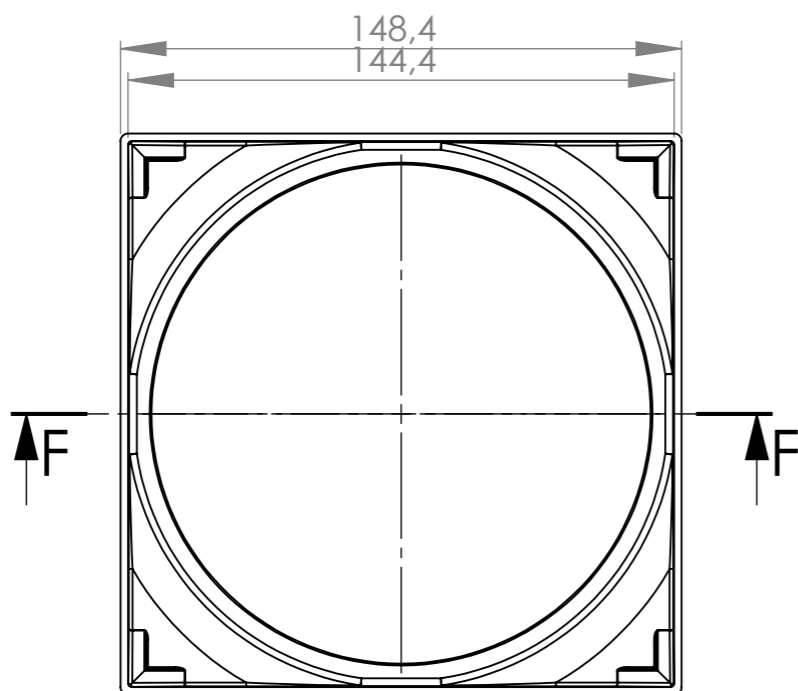
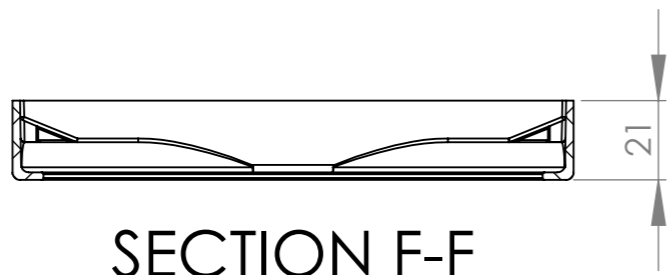
ITEM NO.	PART NUMBER	DESCRIPTION	QTY.
1	25051	Square pp frame 150	1
2	854337	Tile Insert 150	1
3	854338	Platinum 150	1
	854339	Underdel Platinum + Pral 150	1
	854340	Platinum Ämne 150	1
4	854327-R	Pral 150 Red	1
	854339	Underdel Platinum + Pral 150	1
	854329-R	Pralämne 150 Red	1
5	854327-B	Pral 150 Black	1
	854339	Underdel Platinum + Pral 150	1
	854329-B	Pralämne 150 Black	1
6	854327-W	Pral 150 White	1
	854339	Underdel Platinum + Pral 150	1
	854329-W	Pralämne 150 White	1

Denna handling får ej utan vårt medgivande kopieras. Den får ej heller delgivas annan eller ejlest obehörigen användas. Överträdelse härav beivras med stöd av gällande lag. Purus AB

Project no 4062	Annotation	A3	Surface treatment	This drawing replace	Date
PURUS		Scale 1:2	Page 1(6)	General tolerance. ISO 2768-1	Weight (gram)
Purus AB Södra Dragongatan 15 SE 271 39 Ystad, SWEDEN Ph. +46 10 4144 900 Fax +46 10 4144 996 www.purus.se		Material	RSK no	Volume (cm3)	Approved by EP
Name Purus Square 150			Designer EP	Created date 2013-03-08	Date
Article no Purus Square 150				Edition	

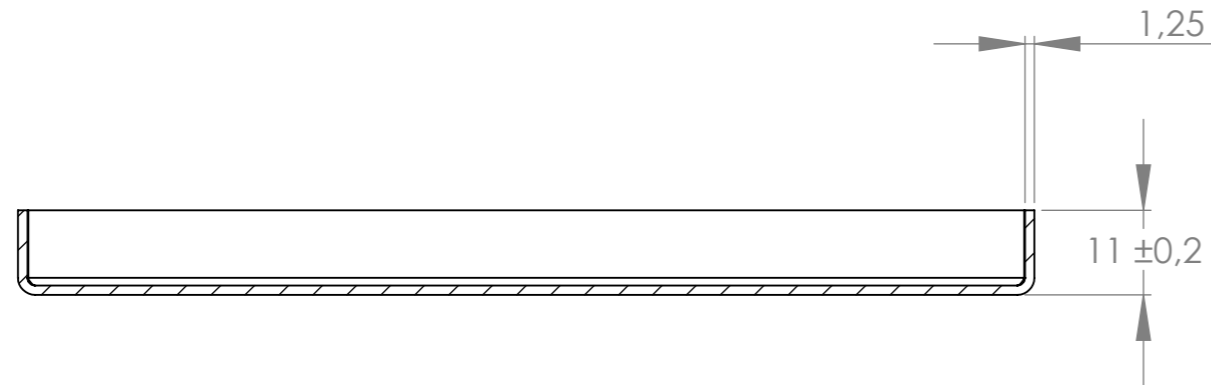
This document must not be copied without our written permission, and the contents thereof must not be imported to a third party nor be used for any unauthorized purpose. Contravention will be prosecuted. Purus AB

Denna handling får ej utan vårt medgivande kopieras. Den får ej heller delgivas annan eller ejlest obehörigen användas. Överträdelse härav beivras med stöd av gällande lag. Purus AB

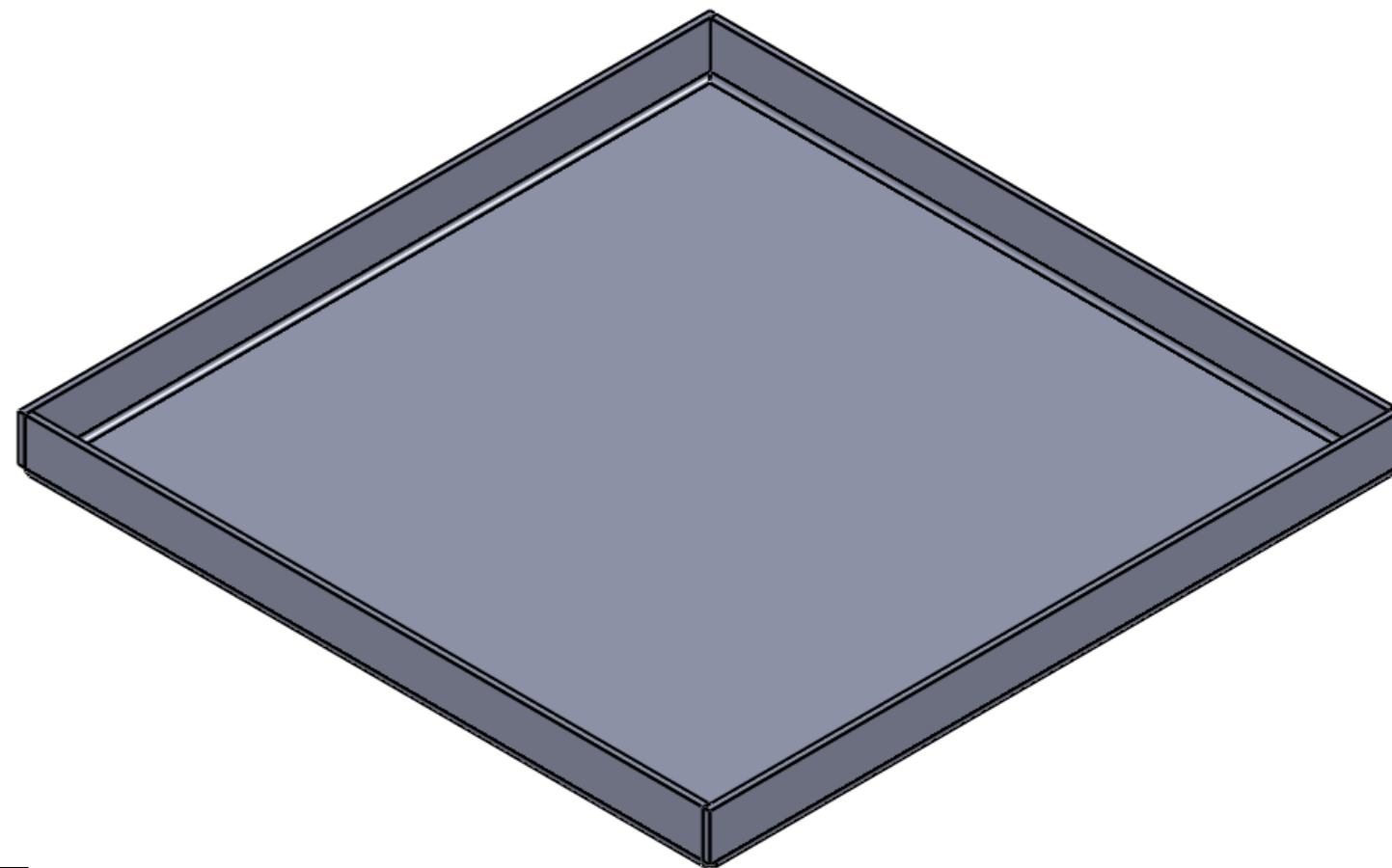
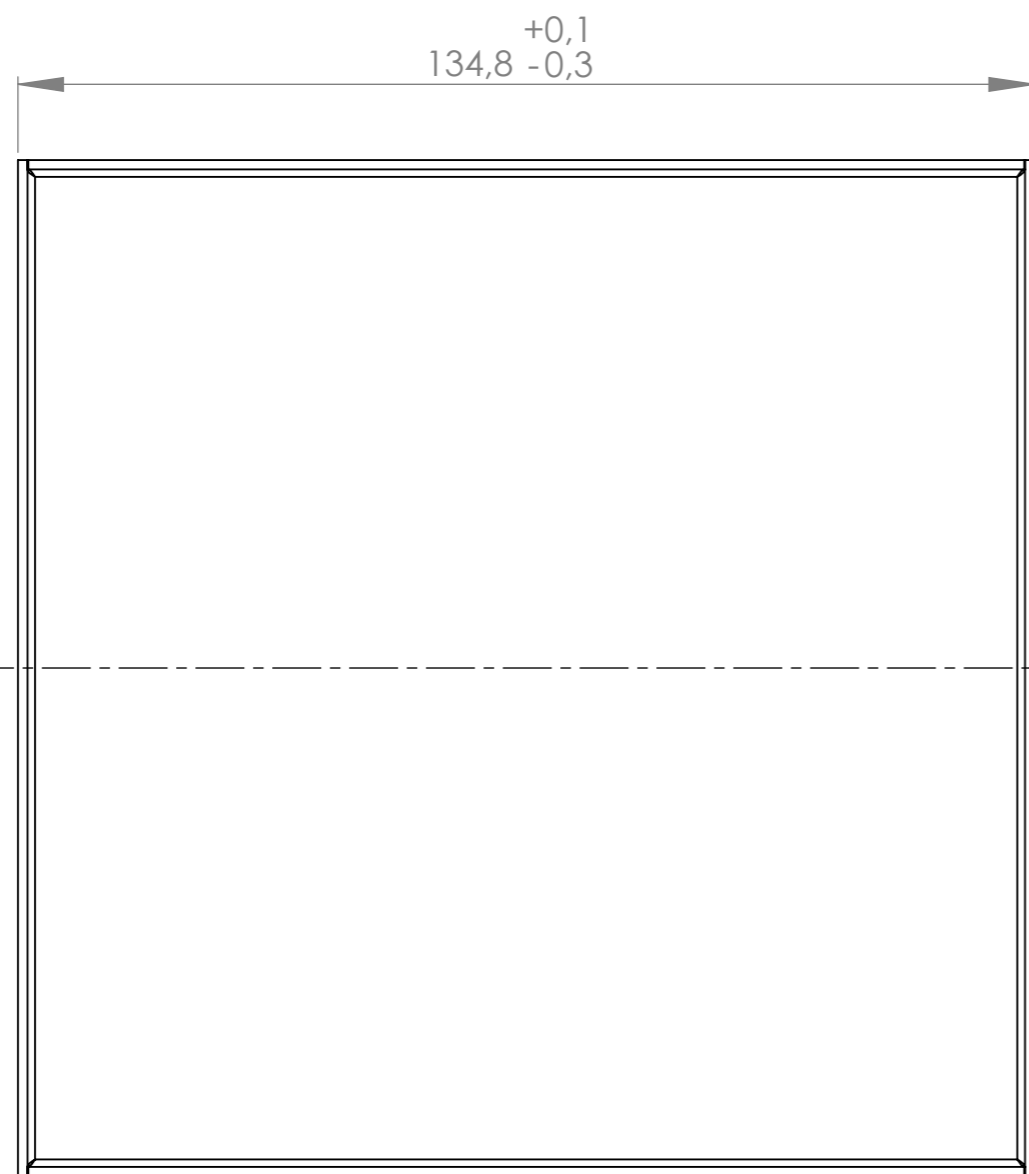


Project no	Annotation	A3		Surface treatment	This drawing replace		Date
	-				-		-
	Scale	Page	General tolerance, ISO 2768-1	Weight (gram)	Volume (cm ³)	Approved by	Date
	1:2	2(6)	-	38.45	35.93	-	-
Purus AB Södra Dragongatan 15 SE 271 39 Ystad, SWEDEN Ph. +46 10 4144 900 Fax +46 10 4144 996 www.purus.se				Material		RSK no	Designer
				ABS PC			SwS
Name					Article no		Created date
Square Frame 150					25051		2011-07-05
							Edition
							1

This document must not be copied without our written permission, and the contents thereof must not be imported to a third party nor be used for any unauthorized purpose. Contravention will be prosecuted. Purus AB



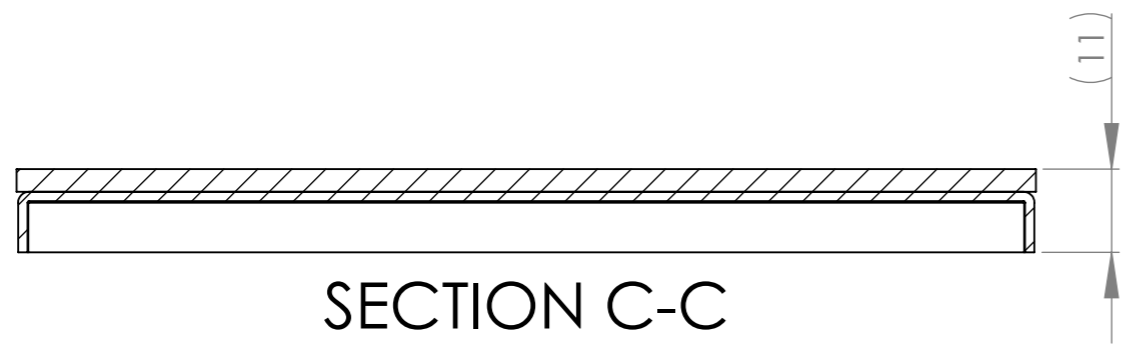
SECTION B-B



Denna handling får ej utan vårt medgivande kopieras. Den får ej heller delgivas annan eller ejlest obehörigen användas. Överträdelse härav beivras med stöd av gällande lag. Purus AB

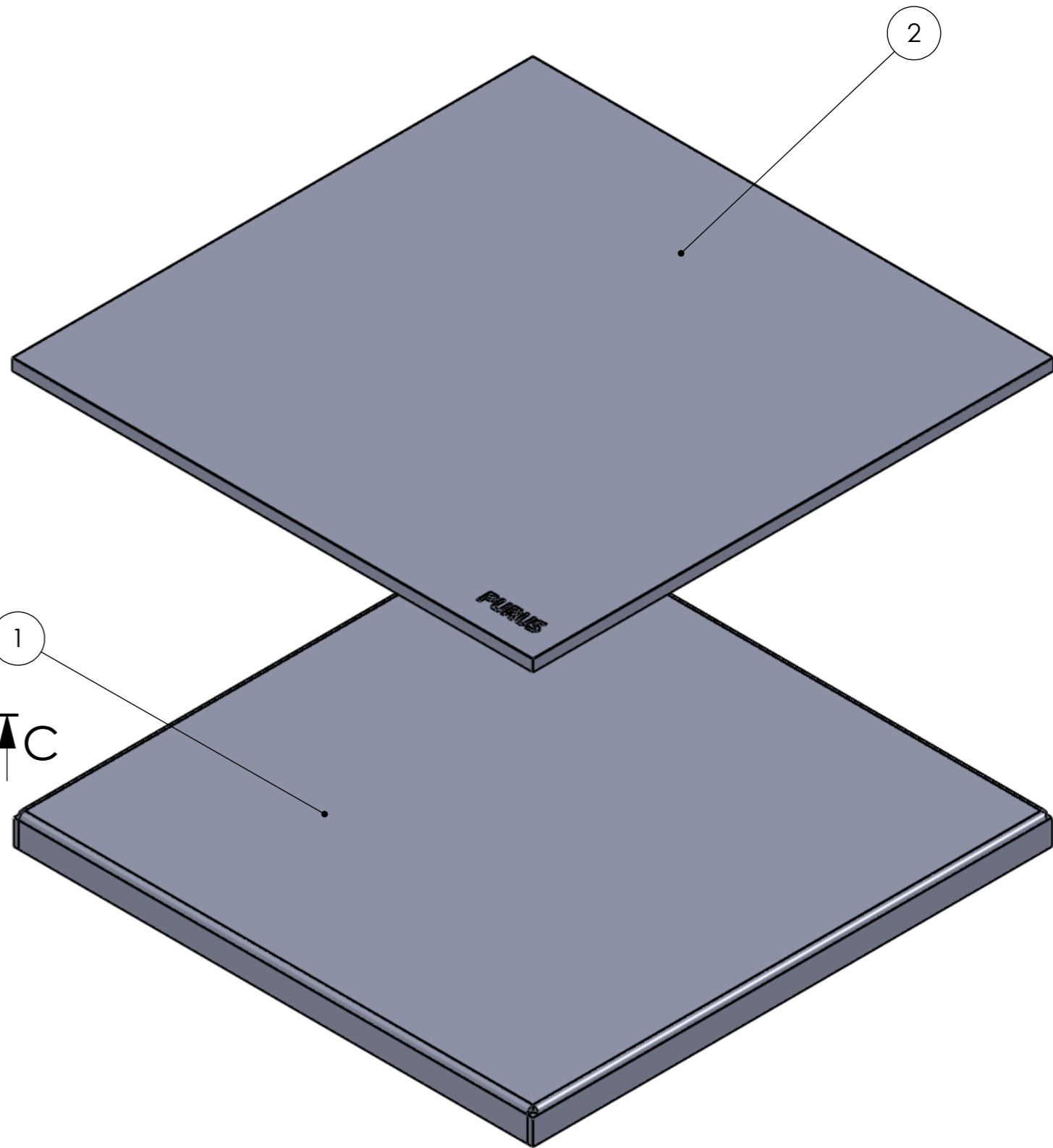
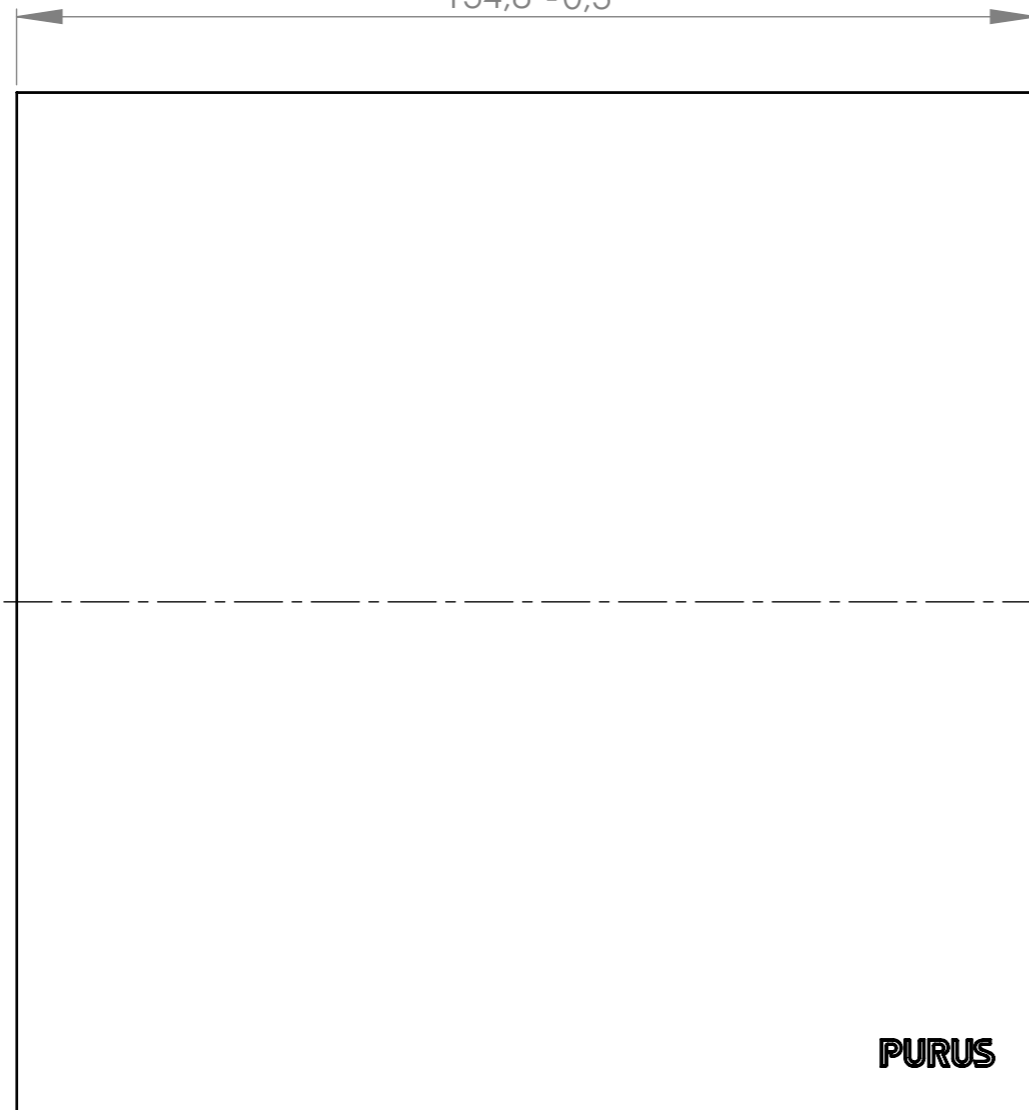
Project no 4062	Annotation	A3	Surface treatment	This drawing replace	Date
PURUS Purus AB Södra Dragongatan 15 SE 271 39 Ystad, SWEDEN Ph. +46 10 4144 900 Fax +46 10 4144 996 www.purus.se	Scale 1:1	Page 3(6)	General tolerance. ISO 2768-1	Weight (gram)	Volume (cm3)
	Material 1.4301, 1,25, 2b, plastad	RSK no	Designer EP	Created date 11-09-21	
Name Tile Insert 150	Article no 854337				Edition

This document must not be copied without our written permission, and the contents thereof must not be imported to a third party nor be used for any unauthorized purpose. Contravention will be prosecuted. Purus AB



SECTION C-C

+0,1
134,8 -0,3

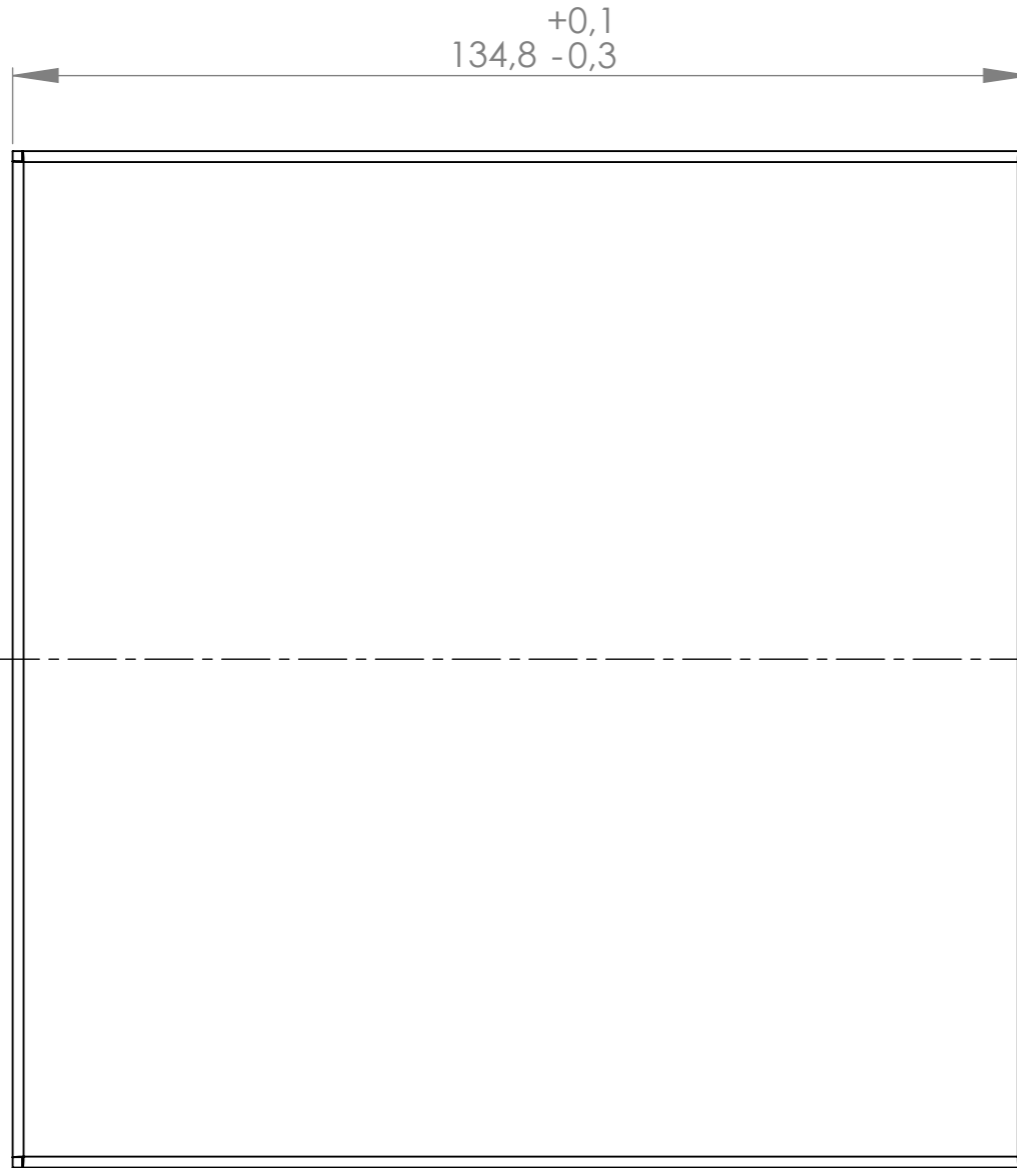
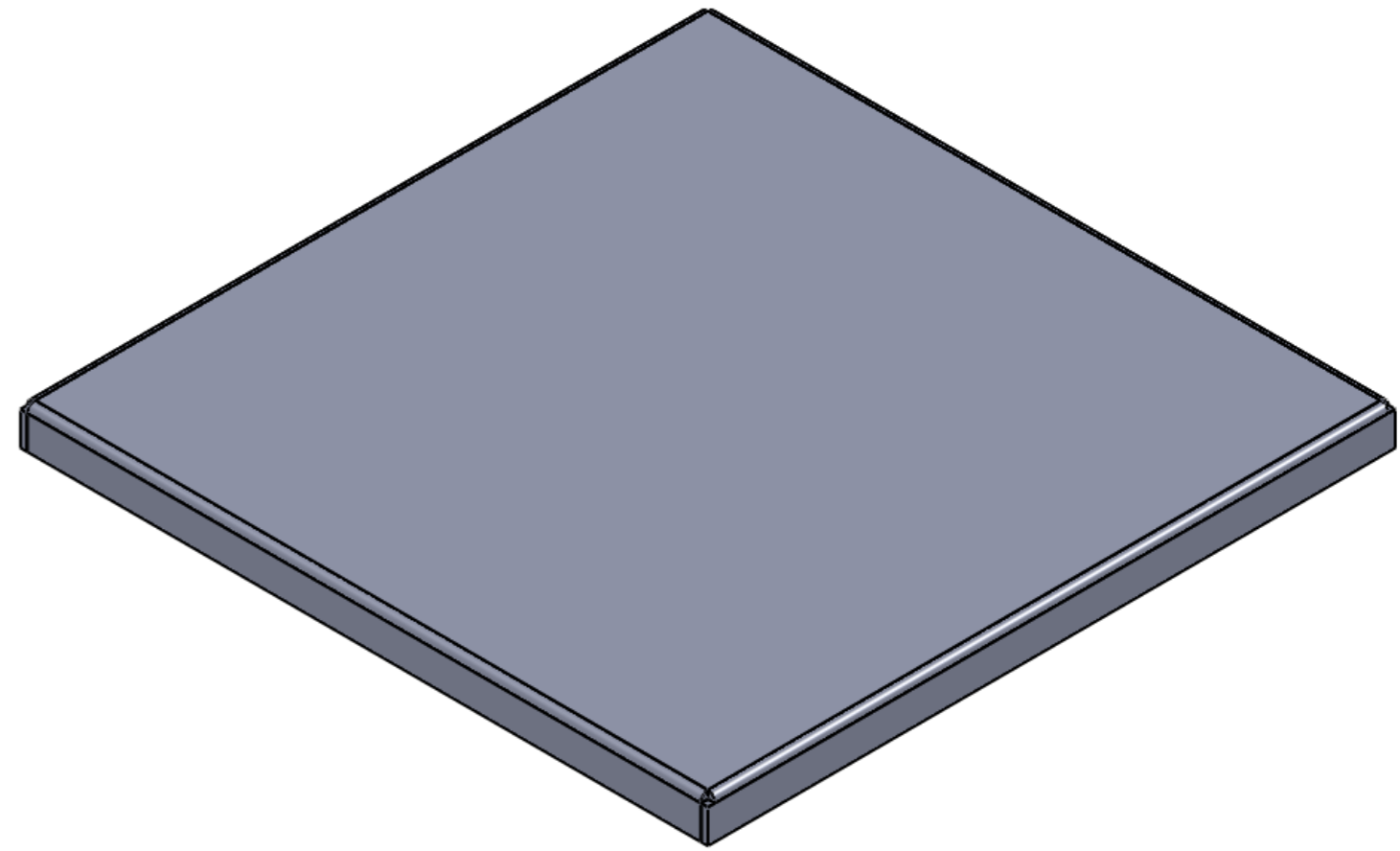
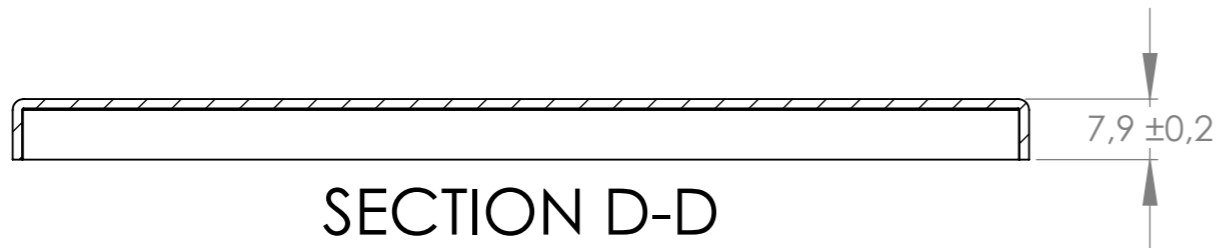


Denna handling får ej utan vårt medgivande kopieras. Den får ej heller delgivas annan eller ejlest obehörigen användas. Överträdelse härav beivras med stöd av gällande lag. Purus AB

ITEM NO.	PART NUMBER	DESCRIPTION	QTY.
1	854339	Underdel Platinum + Pral 150	1
2	854340	Platinum Ämne 150	1

Project no 4062	Annotation	A3	Surface treatment	This drawing replace	Date
PURUS Purus AB Södra Dragongatan 15 SE 271 39 Ystad, SWEDEN Ph. +46 10 4144 900 Fax +46 10 4144 996 www.purus.se	Scale 1:1	Page 4(6)	General tolerance. ISO 2768-1	Weight (gram)	Volume (cm3)
	Material	RSK no		Approved by EP	Date 11-09-21
Name Platinum 150	Article no 854338			Edition	

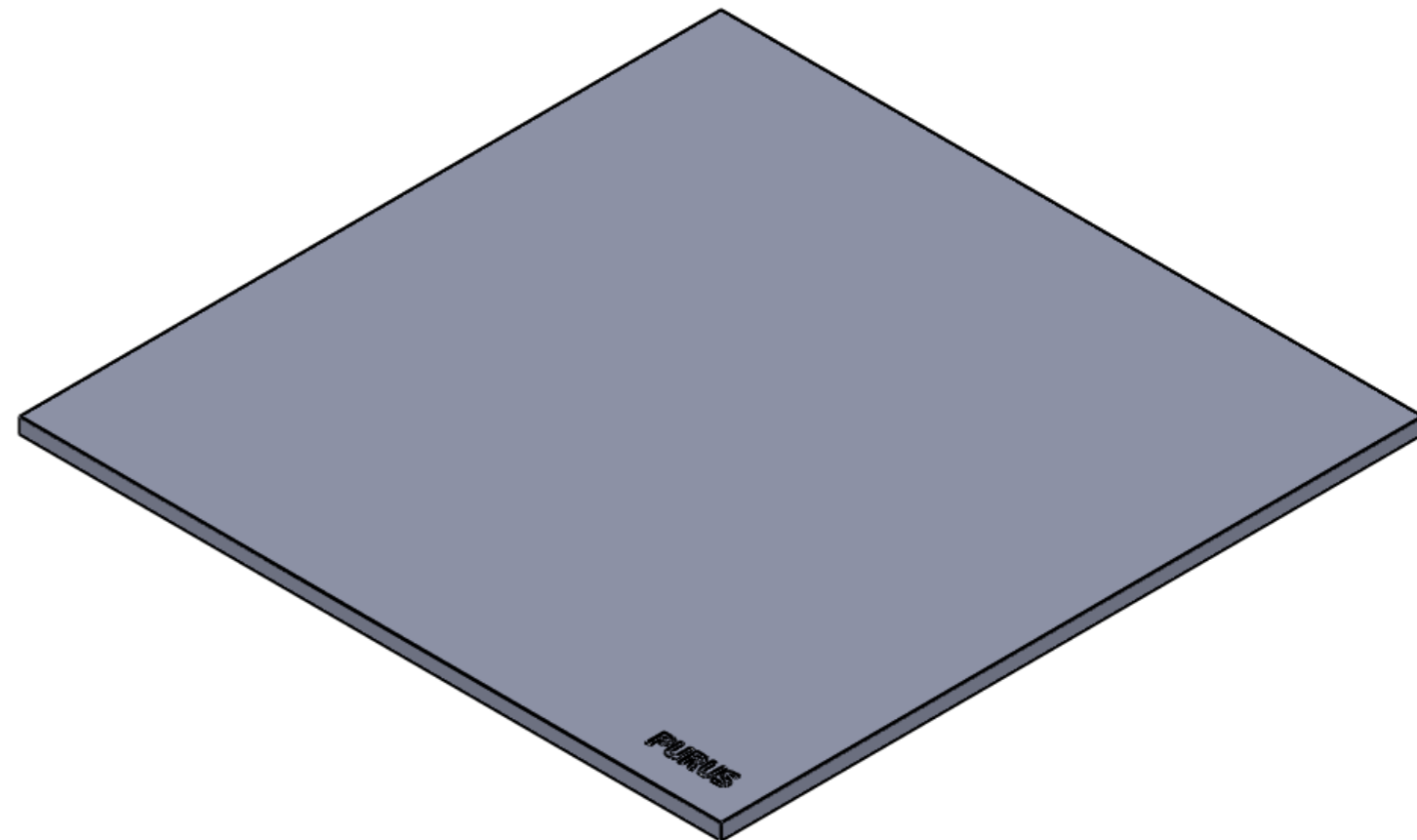
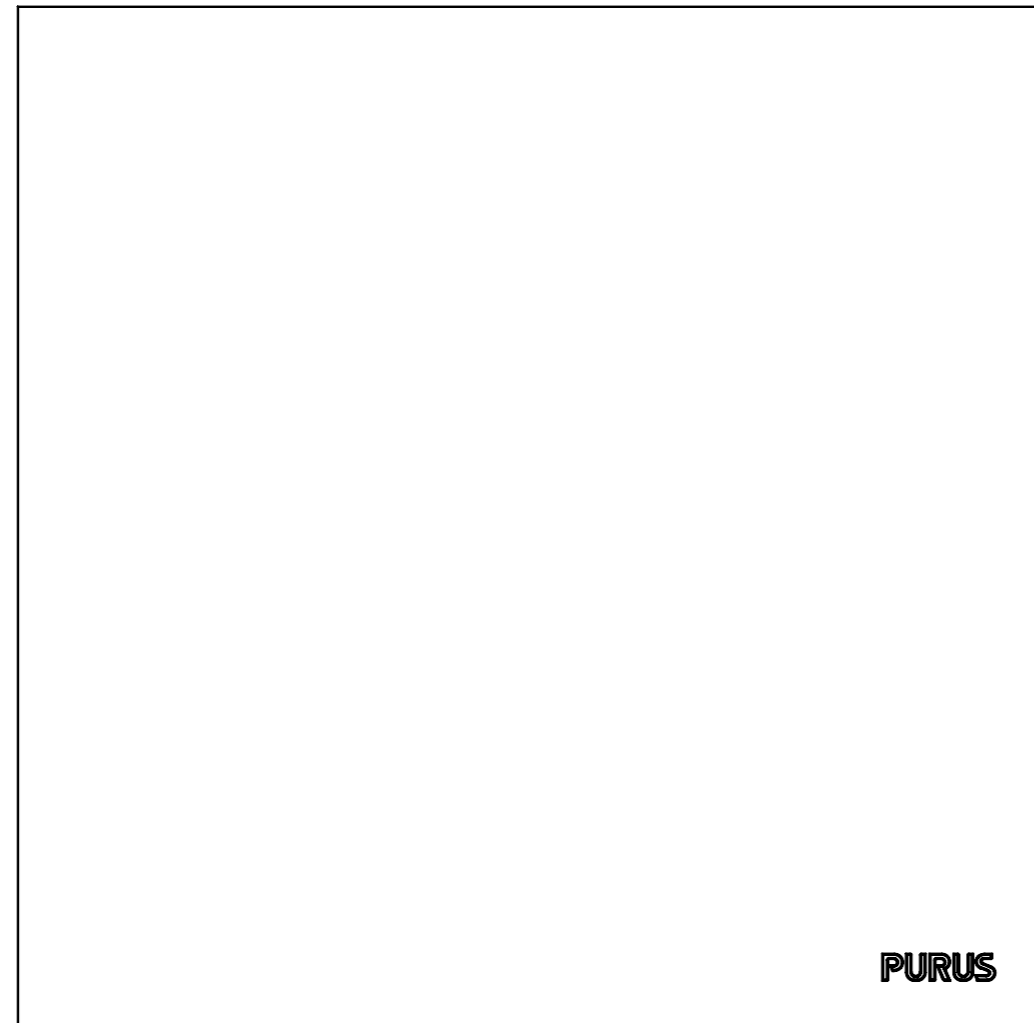
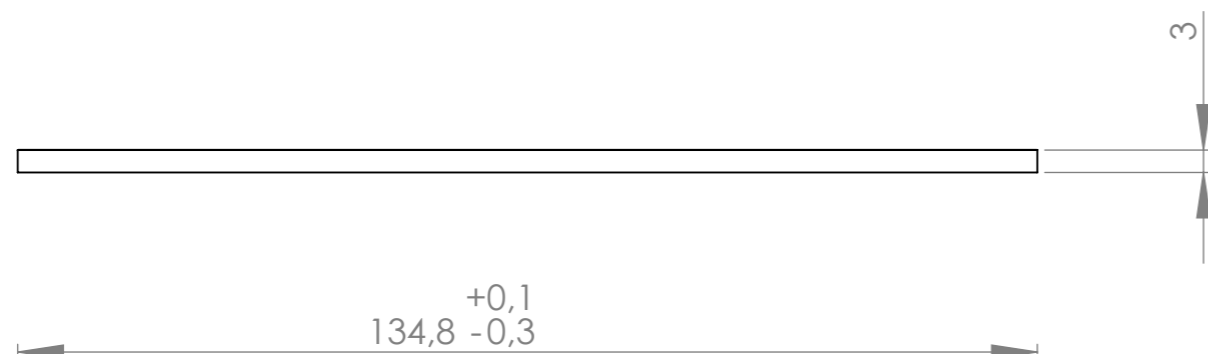
This document must not be copied without our written permission, and the contents thereof must not be imported to a third party nor be used for any unauthorized purpose. Contravention will be prosecuted. Purus AB



Denna handling får ej utan vårt medgivande kopieras. Den får ej heller delgivas annan eller ejlest obehörigen användas. Överträdelse härav beivras med stöd av gällande lag. Purus AB

Project no 4062	Annotation	A3	Surface treatment	This drawing replace	Date
	Scale 1:1	Page 5(6)	General tolerance, ISO 2768-1	Weight (gram)	Volume (cm3)
	Material 1.4301, 1,25, 2b, plastad	RSK no		Designer EP	Created date 11-09-21
Purus AB Södra Dragongatan 15 SE 271 39 Ystad, SWEDEN Ph. +46 10 4144 900 Fax +46 10 4144 996 www.purus.se			Name Underdel Platinum/Pral 150		Article no 854339
					Edition

This document must not be copied without our written permission, and the contents thereof must not be imported to a third party nor be used for any unauthorized purpose. Contravention will be prosecuted. Purus AB



Denna handling får ej utan vårt medgivande kopieras. Den får ej heller delgivas annan eller ejlest obehörigen användas. Överträdelse härav beivras med stöd av gällande lag. Purus AB

Project no 4062	Annotation	A3	Surface treatment	This drawing replace	Date
	Scale 1:1	Page 6(6)	General tolerance, ISO 2768-1	Weight (gram)	Volume (cm3)
	Material 1.4301, Slipad plastad 3mm	RSK no	Designer EP	Created date 11-09-21	
Purus AB Södra Dragongatan 15 SE 271 39 Ystad, SWEDEN Ph. +46 10 4144 900 Fax +46 10 4144 996 www.purus.se			Name Platinum Ämne 150		Article no 854340
					Edition