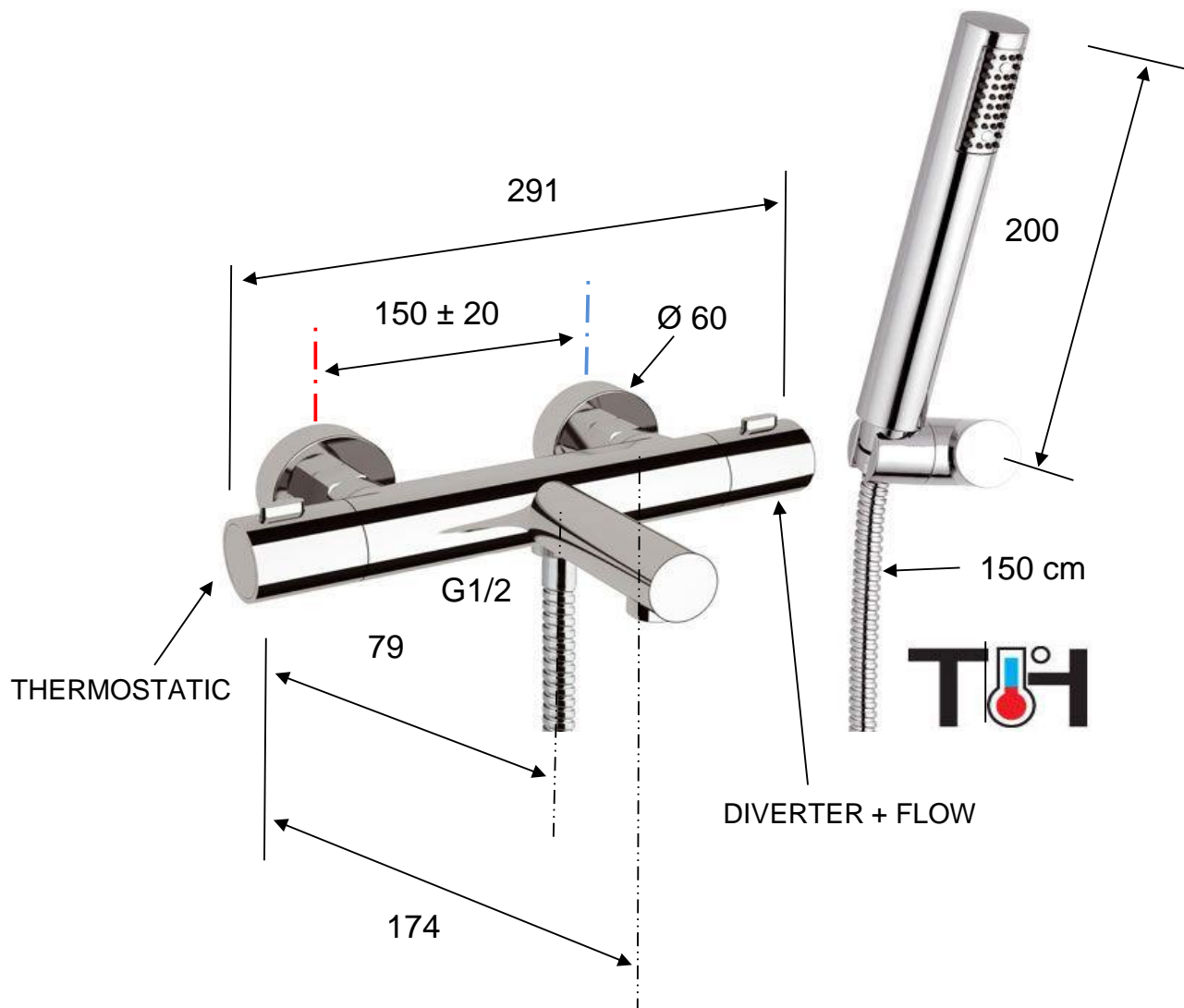


# Sanova

code **SANXF610HCR**

Telefon : 0510-48 58 90

E-post: info@sanova.se



## MATERIALS

CHROME PLATED BRASS

CHROME PLATED ABS

## CHROME PLATING

UNI EN 248