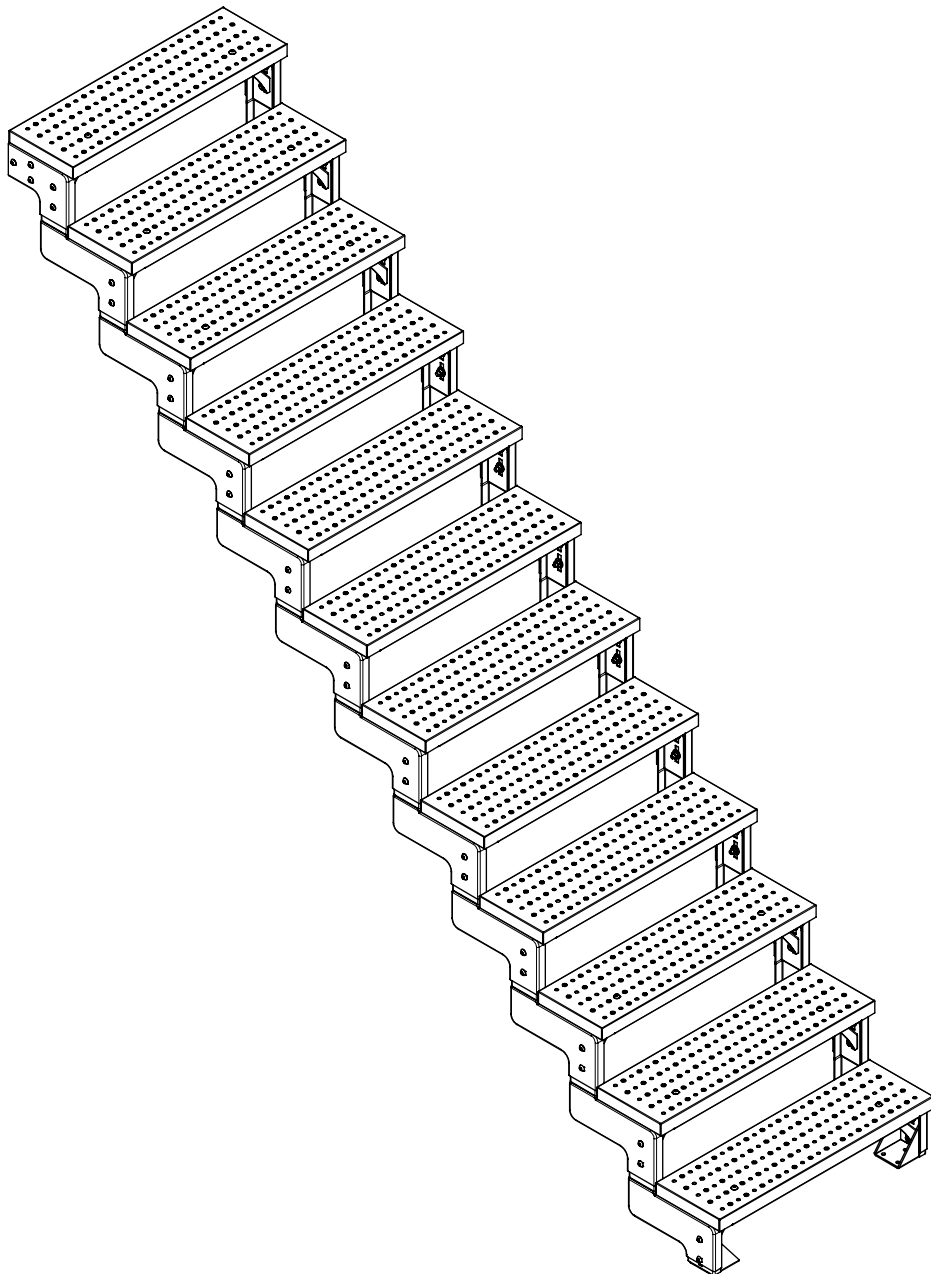


# GARDENTOP

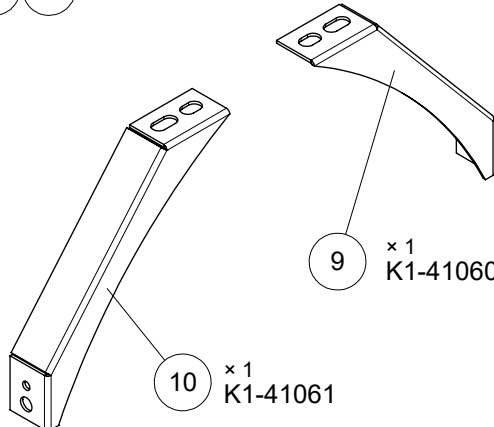



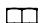











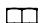











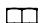









**Ohne Geländer**  
**Without banister**  
**Sans garde-corps**

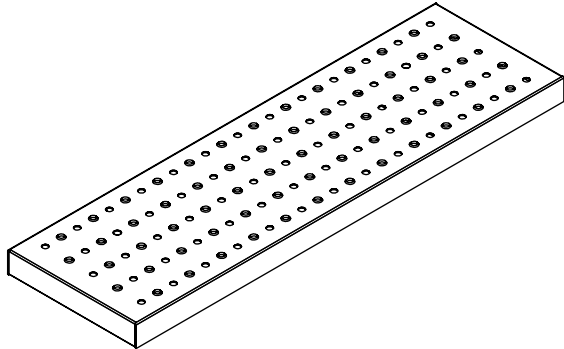


Montageanleitung  
Installation instruction  
Guide de montage

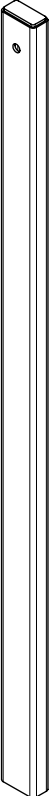
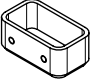
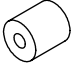



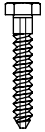





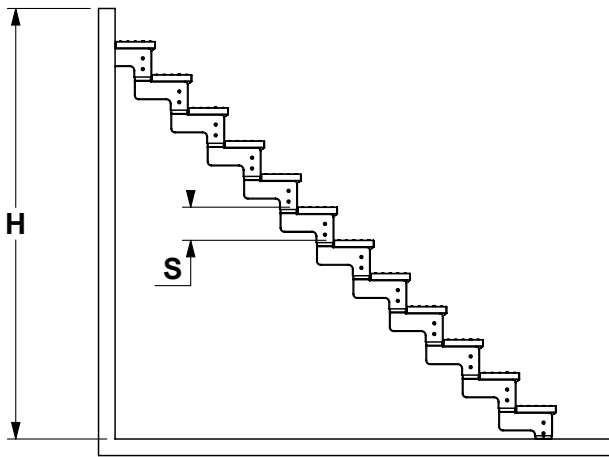
<b>68015</b>		<b>Starter-Set</b> <b>Start kit</b>		<b>Kit de départ</b>	
<p>1 2</p> <p>x 1 K1-41931</p> <p>x 1 K1-41930</p>		<p>7 8</p> <p>x 1 K1-41911</p> <p>x 1 K1-41910</p>		<p>5</p> <p>x 2 K2-41900</p> <p>6</p> <p>x 2 K1-41940</p>	
<p>40</p> <p>x 14 K3-02045 M10x25</p>	<p>41</p> <p>x 2 K3-04110 Ø10</p>	<p>42</p> <p>x 8 K3-04198 Ø10</p>	<p>43</p> <p>x 14 K3-03051 M10</p>	<p>44</p> <p>x 12 K3-08001 Ø12 x 60</p>	<p>45</p> <p>x 12 K3-06070 Ø10 x 60</p>
<p>59</p> <p>x 12 K3-06269 Ø6 x 35</p>	<p>63</p> <p>x 4 K3-05022 M8 x 20</p>	<p>64</p> <p>x 12 K3-04010 Ø10,5</p>			

<b>68016</b>		<b>Ergänzungs-Set</b> <b>1 step kit</b>		<b>Kit supplémentaire</b>	
<p>3 4</p> <p>x 1 K1-41921</p> <p>x 1 K1-41920</p>		<p>40</p> <p>x 4 K3-02045 M10 x 25</p>	<p>42</p> <p>x 4 K3-04198 Ø10</p>	<p>43</p> <p>x 4 K3-03051 M10</p>	
		<p>59</p> <p>x 6 K3-06269 Ø6 x 35</p>			

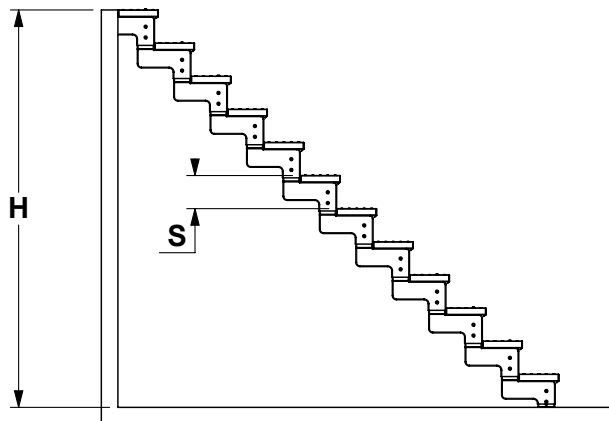
68020	Stufen-Winkel Step support 1 step	Contreventement			
<div style="display: flex; justify-content: space-between;"> <div style="width: 45%;">  <p>9 x1 K1-41060</p> <p>10 x1 K1-41061</p> </div> <div style="width: 45%; border: 1px solid black; padding: 5px; text-align: center;">  <p>If more than 6 steps: Add</p> <p>9 + 10</p> <hr/> <p>Wenn mehr als 6 Stufen: hinzufügen</p> <p>9 + 10</p> <hr/> <p>En cas de plus de 6 marches ajouter :</p> <p>9 + 10</p> <p>Max. 6 Satz / sets / ensembles</p> </div> </div>	<table border="1" style="width: 100%; border-collapse: collapse;"> <tr> <td style="width: 50%; padding: 5px;"> <div style="display: flex; justify-content: space-between;"> <div style="width: 45%;"> <p>40</p>     <p>x 2 K3-02045 M10 x 25</p> </div> <div style="width: 45%;"> <p>43</p>     <p>x 2 K3-03051 M10</p> </div> </div> </td> <td style="width: 50%; padding: 5px;"> <div style="display: flex; justify-content: space-between;"> <div style="width: 45%;"> <p>57</p>     <p>x 2 K3-02386 M18 x 40</p> </div> <div style="width: 45%;"> <p>59</p>     <p>x 1 K3-06269 Ø6 x 35</p> </div> </div> </td> </tr> <tr> <td style="padding: 5px;"> <div style="display: flex; justify-content: space-between;"> <div style="width: 45%;"> <p>61</p>     <p>x 2 K3-03047 M8</p> </div> <div style="width: 45%;"> <p>67</p>     <p>x 2 K3-04099 Ø10</p> </div> </div> </td> <td></td> </tr> </table>	<div style="display: flex; justify-content: space-between;"> <div style="width: 45%;"> <p>40</p>     <p>x 2 K3-02045 M10 x 25</p> </div> <div style="width: 45%;"> <p>43</p>     <p>x 2 K3-03051 M10</p> </div> </div>	<div style="display: flex; justify-content: space-between;"> <div style="width: 45%;"> <p>57</p>     <p>x 2 K3-02386 M18 x 40</p> </div> <div style="width: 45%;"> <p>59</p>     <p>x 1 K3-06269 Ø6 x 35</p> </div> </div>	<div style="display: flex; justify-content: space-between;"> <div style="width: 45%;"> <p>61</p>     <p>x 2 K3-03047 M8</p> </div> <div style="width: 45%;"> <p>67</p>     <p>x 2 K3-04099 Ø10</p> </div> </div>	
<div style="display: flex; justify-content: space-between;"> <div style="width: 45%;"> <p>40</p>     <p>x 2 K3-02045 M10 x 25</p> </div> <div style="width: 45%;"> <p>43</p>     <p>x 2 K3-03051 M10</p> </div> </div>	<div style="display: flex; justify-content: space-between;"> <div style="width: 45%;"> <p>57</p>     <p>x 2 K3-02386 M18 x 40</p> </div> <div style="width: 45%;"> <p>59</p>     <p>x 1 K3-06269 Ø6 x 35</p> </div> </div>				
<div style="display: flex; justify-content: space-between;"> <div style="width: 45%;"> <p>61</p>     <p>x 2 K3-03047 M8</p> </div> <div style="width: 45%;"> <p>67</p>     <p>x 2 K3-04099 Ø10</p> </div> </div>					

68050 / 51	Stufe 80 / 100 cm Steel step 80 / 100 cm	Marche 80 / 100 cm
<div style="display: flex; justify-content: space-between;"> <div style="width: 45%;"> <p>24</p>  <p>x 1 K1-41070 80 cm K1-41080 100 cm</p> </div> <div style="width: 45%;"></div> </div>	<div style="display: flex; justify-content: space-between;"> <div style="width: 45%;"></div> <div style="width: 45%;"> <p>56</p>     <p>x 4 K3-02216 M6 x 16</p> </div> </div>	

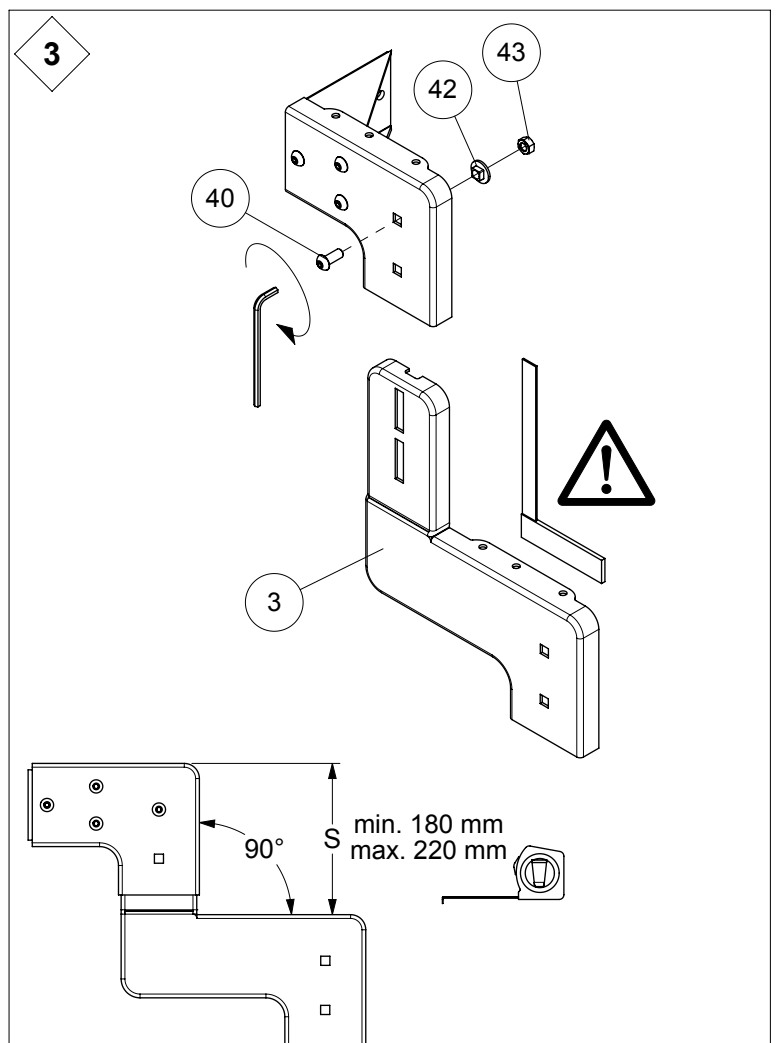
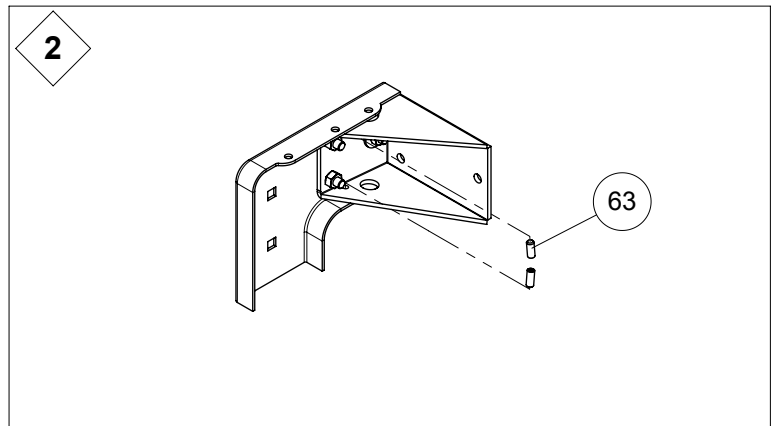
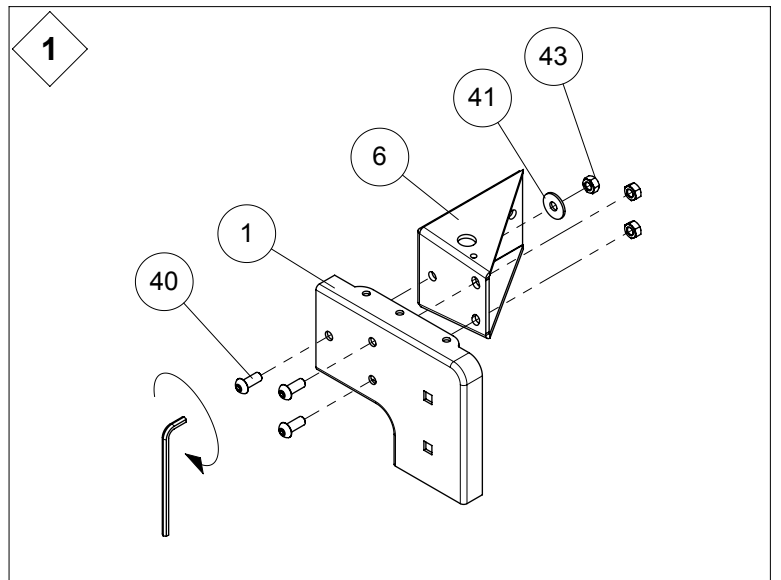
68098		Unterstützung Support		Support	
(30)   × 2 K1-41450	(31)  × 2 K1-41455	(32)  × 2 K1-41456	(41)  × 2 K3-04110 Ø10 / Ø30	(43)  × 2 K3-03051 M10	(44)  × 2 K3-08001 Ø12 x 60
	(45)  × 2 K3-06070 Ø10 x 60	(62)  × 4 K3-05010 M5 x 6	(63)  × 2 K3-02375 M10 x 75	<div data-bbox="1139 537 1513 891" style="border: 1px solid black; padding: 10px; text-align: center;">   <p>If more than 8 steps: Support is to be added</p> <p>Wenn mehr als 8 Stufen: die Unterstützung hinzufügen</p> <p>En cas de plus de 8 marches le support est nécessaire.</p> </div>	

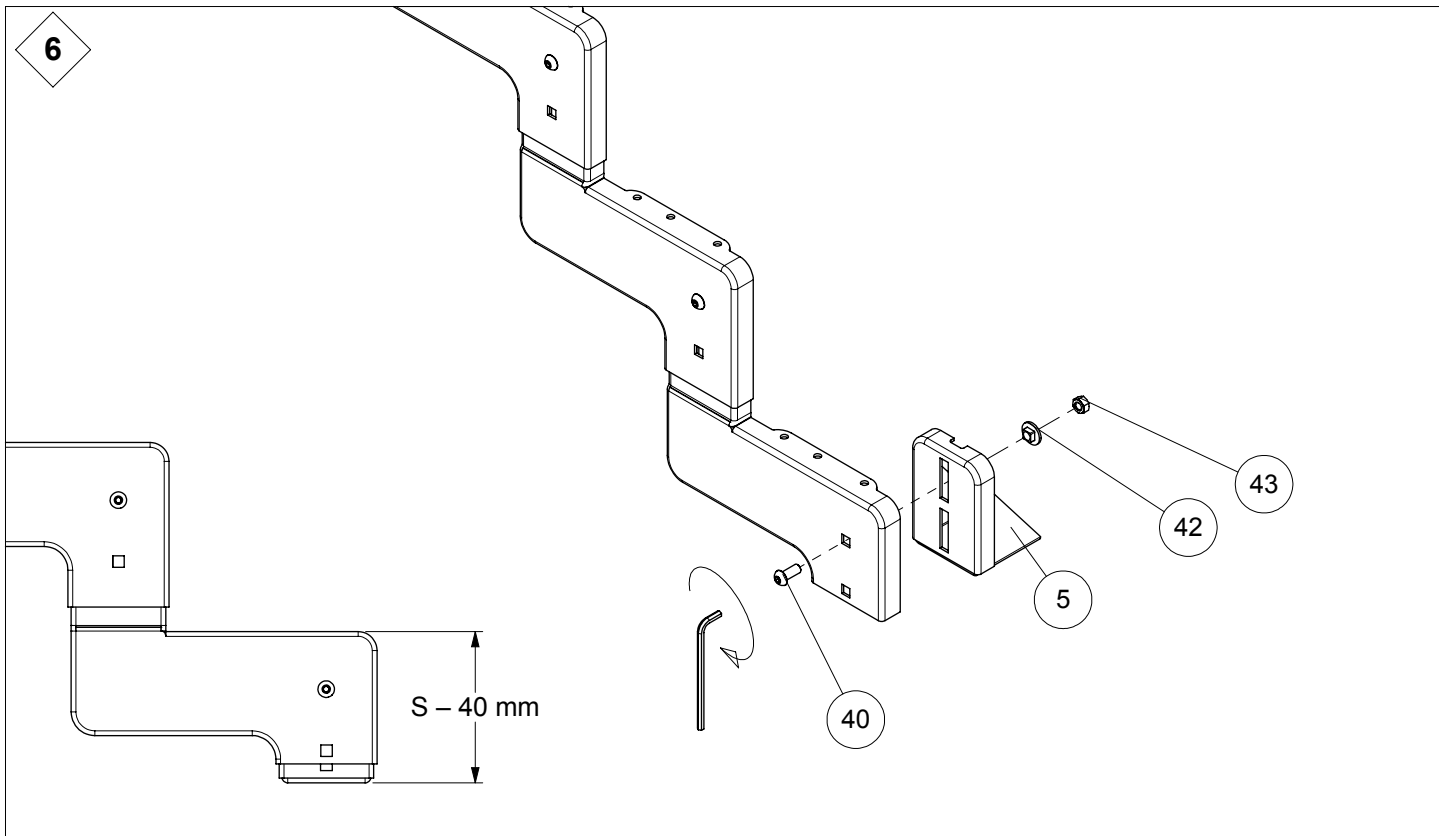
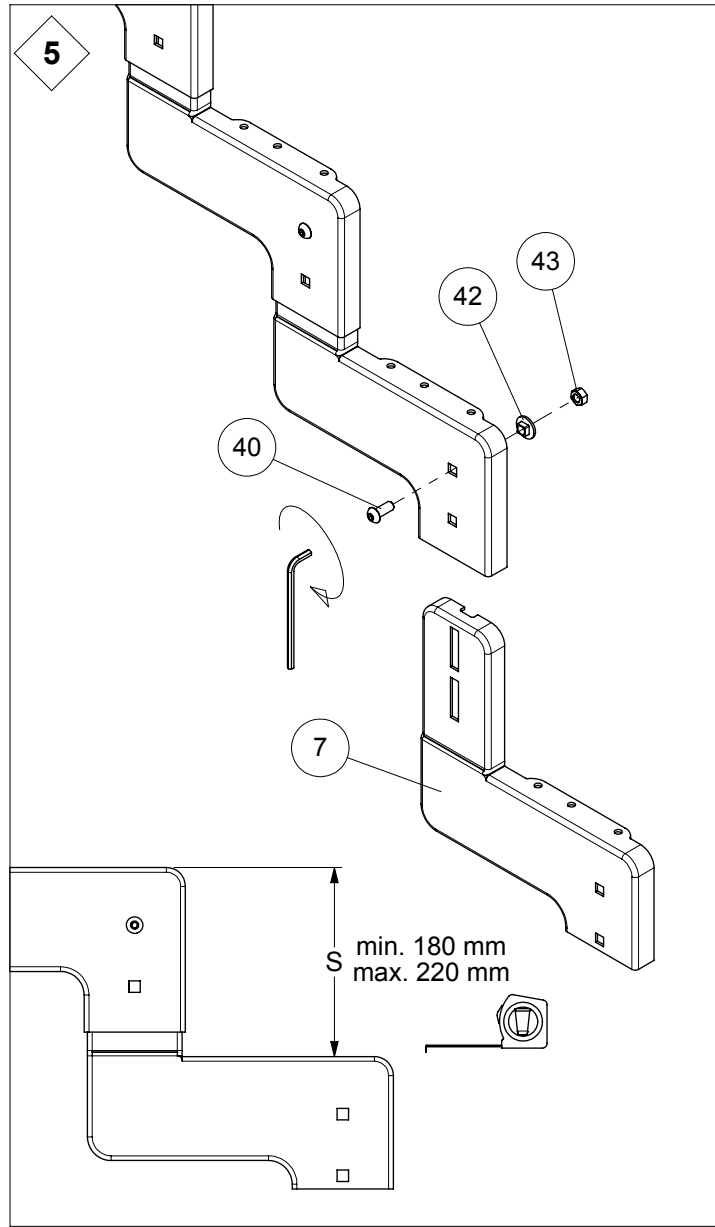
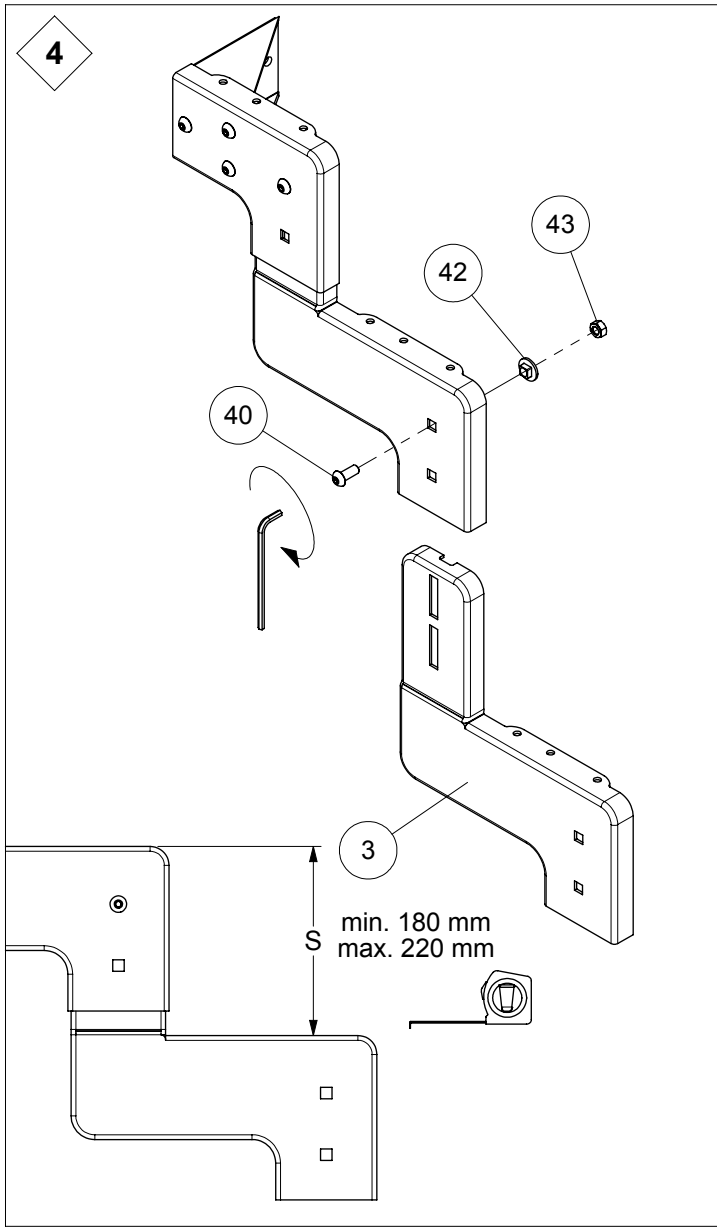


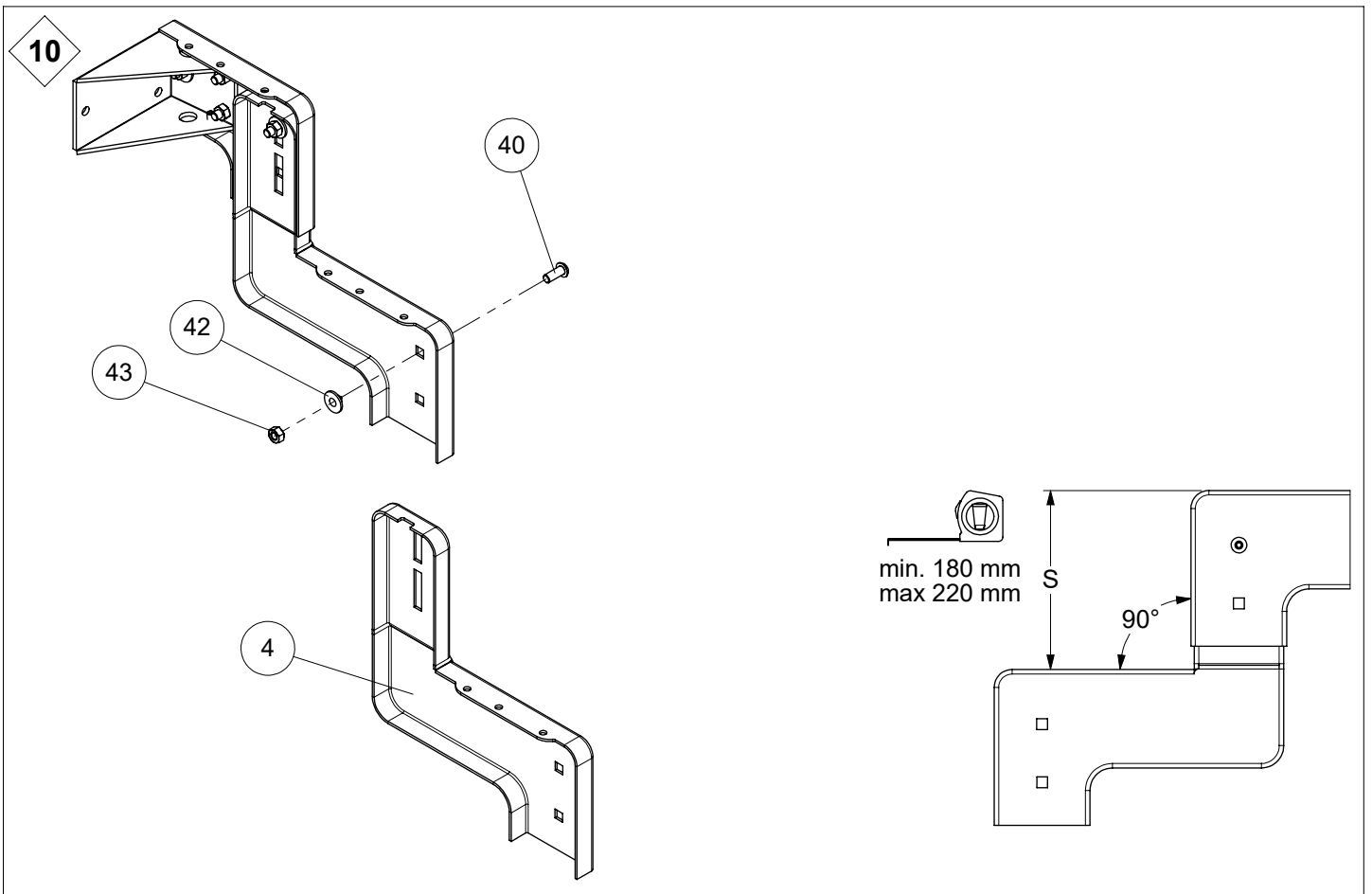
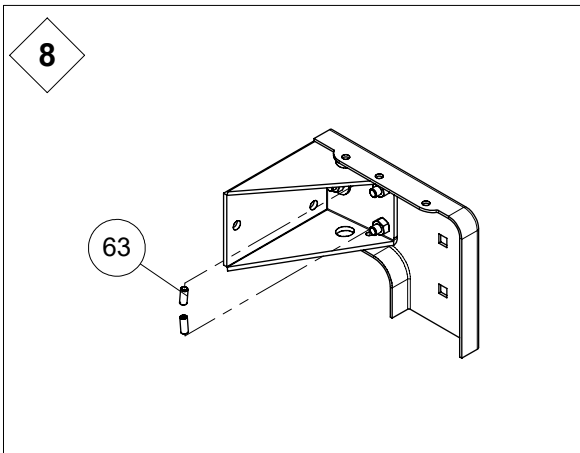
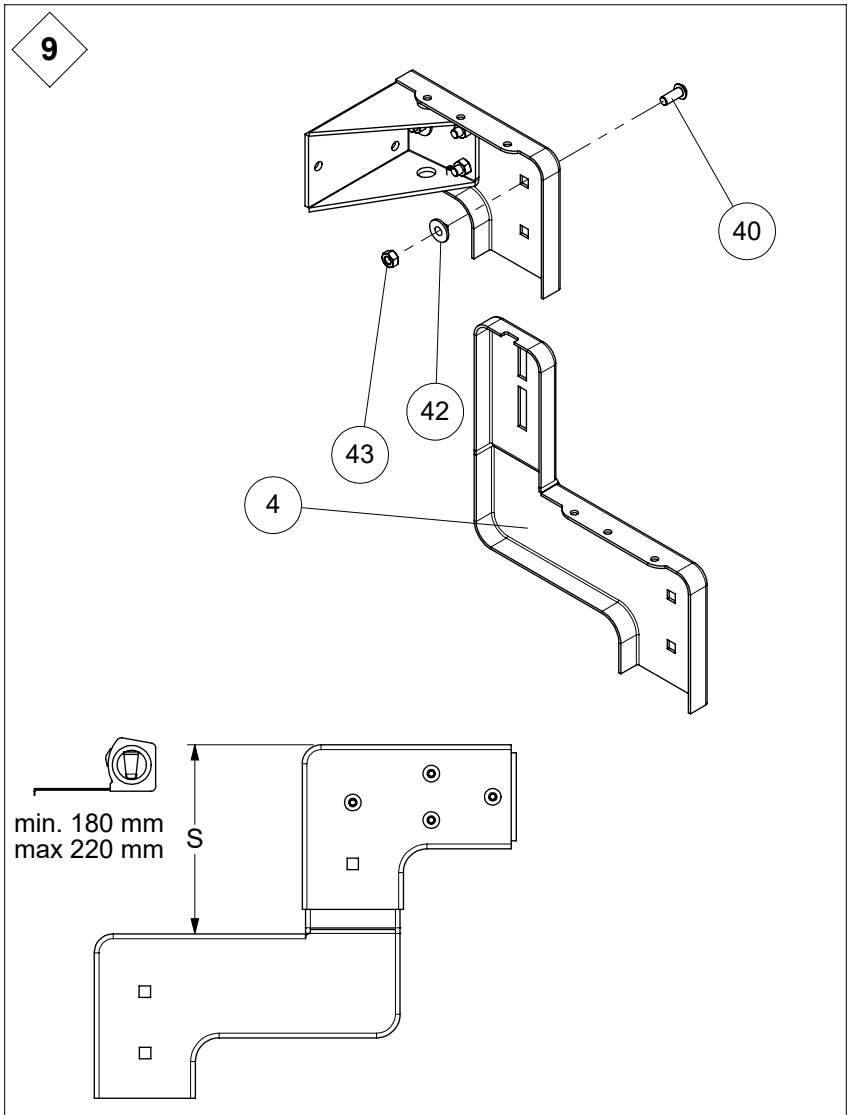
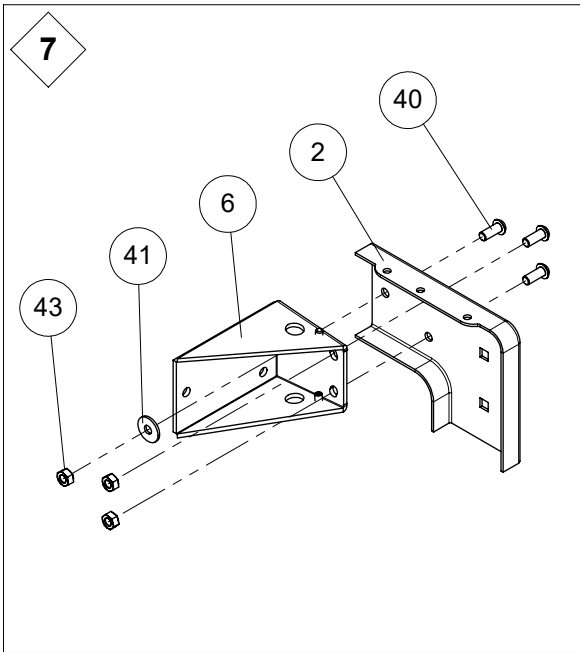
H	S				
	180 mm	190 mm	200 mm	210 mm	220 mm
2	540	570	600	630	660
3	720	760	800	840	880
4	900	950	1000	1050	1100
5	1080	1140	1200	1260	1320
6	1260	1330	1400	1470	1540
7	1440	1520	1600	1680	1760
8	1620	1710	1800	1890	1980
9	1800	1900	2000	2100	2200
10	1980	2090	2200	2310	2420
11	2160	2280	2400	2520	2640
12	2340	2470	2600	2730	2860



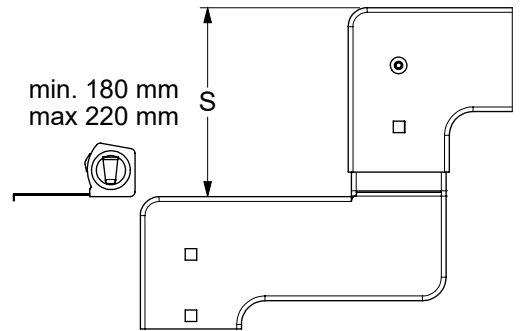
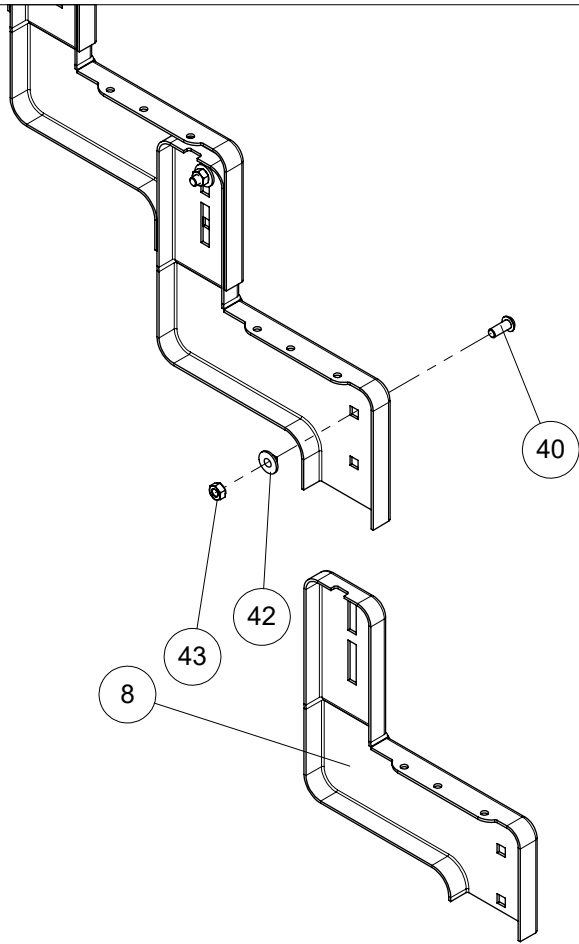
H	S				
	180 mm	190 mm	200 mm	210 mm	220 mm
2	360	380	400	420	440
3	540	570	600	630	660
4	720	760	800	840	880
5	900	950	1000	1050	1100
6	1080	1140	1200	1260	1320
7	1260	1330	1400	1470	1540
8	1440	1520	1600	1680	1760
9	1620	1710	1800	1890	1980
10	1800	1900	2000	2100	2200
11	1980	2090	2200	2310	2420
12	2160	2280	2400	2520	2640



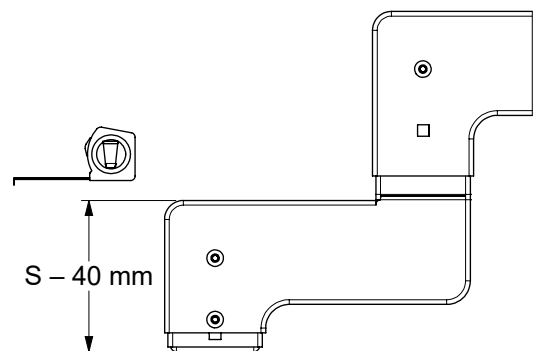
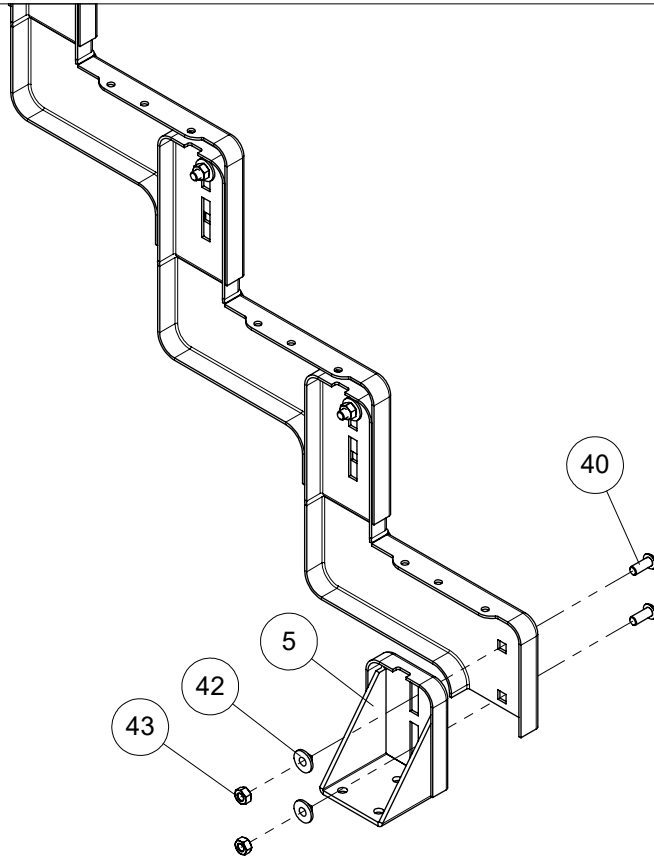




11

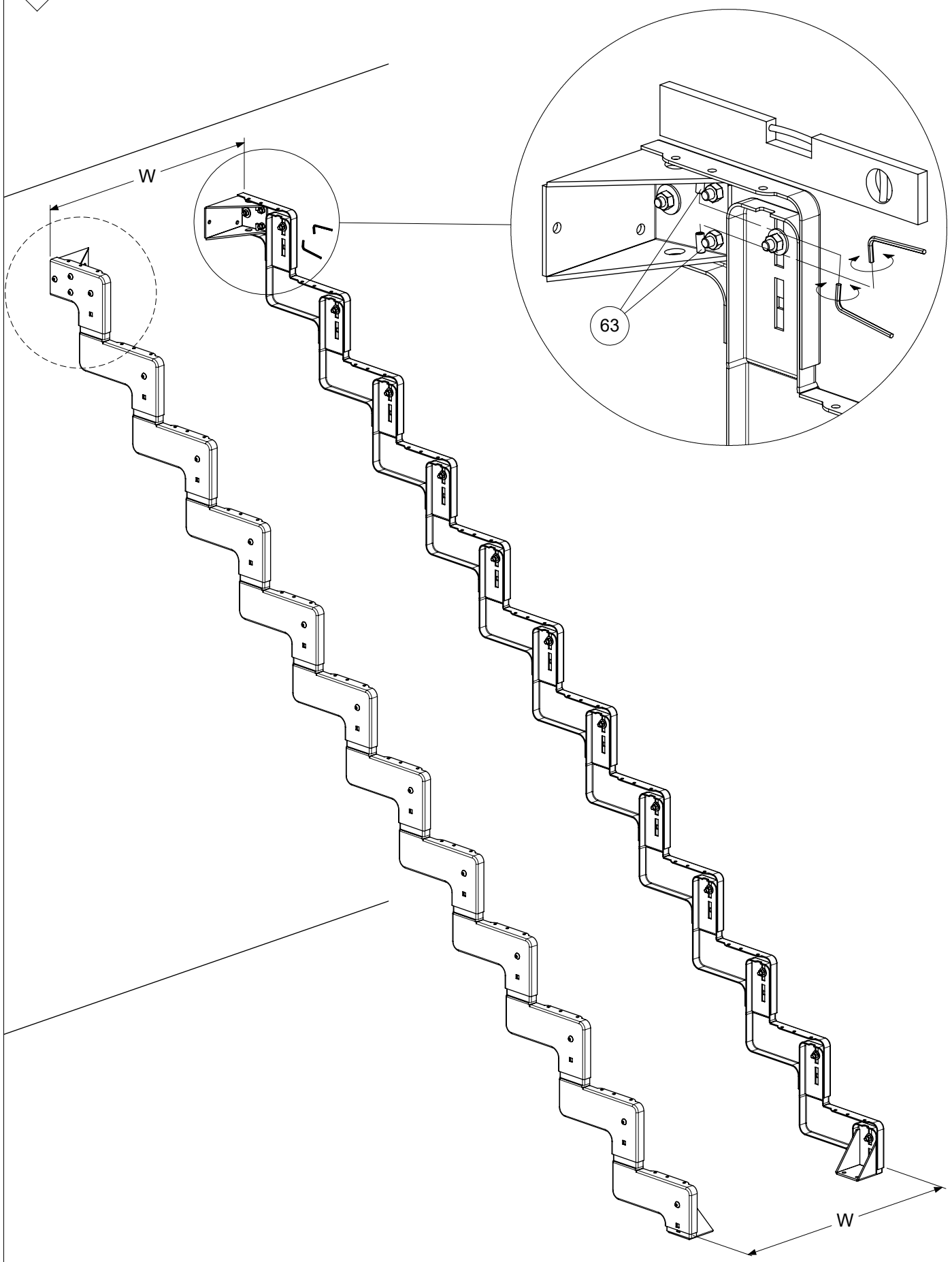


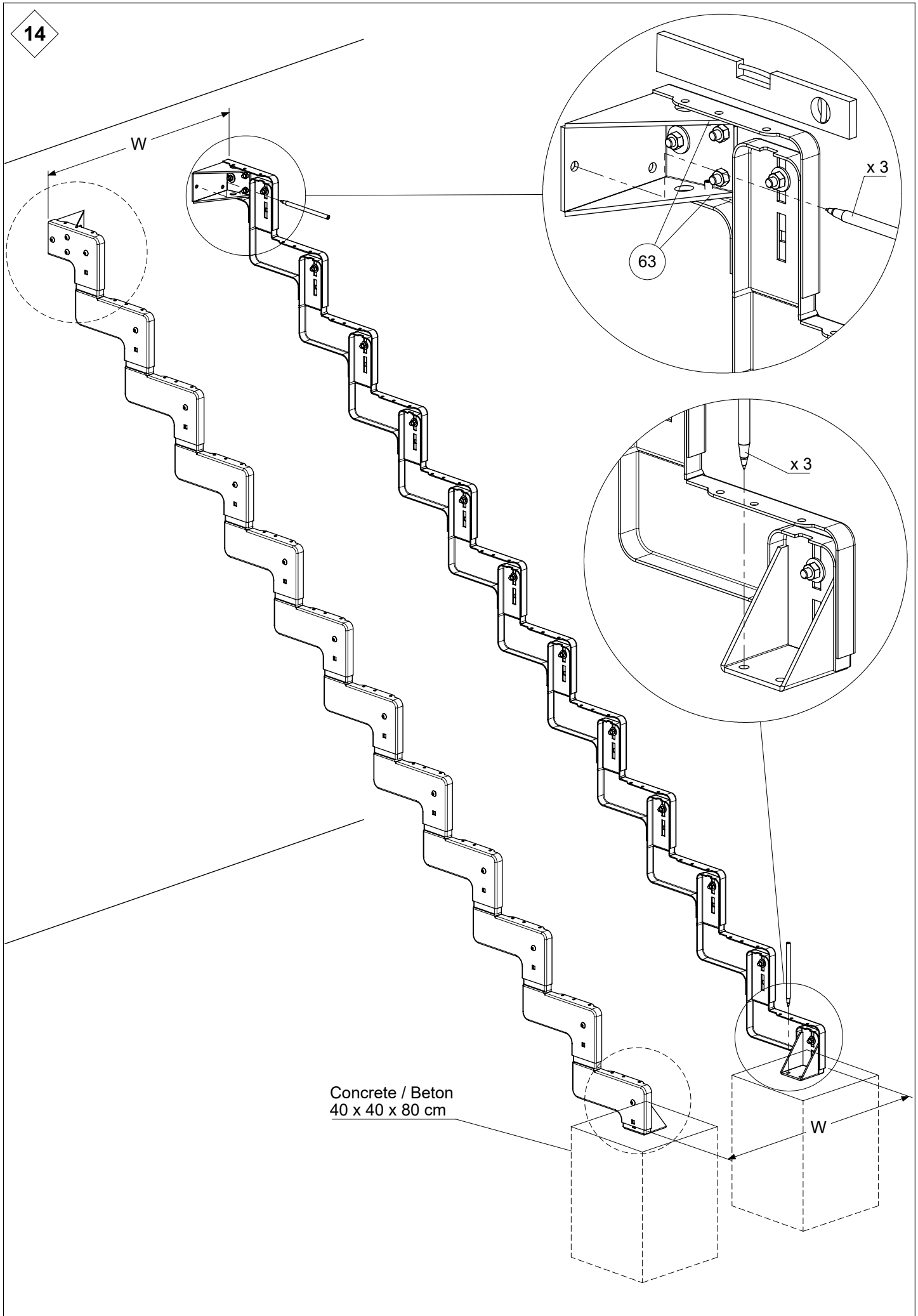
12



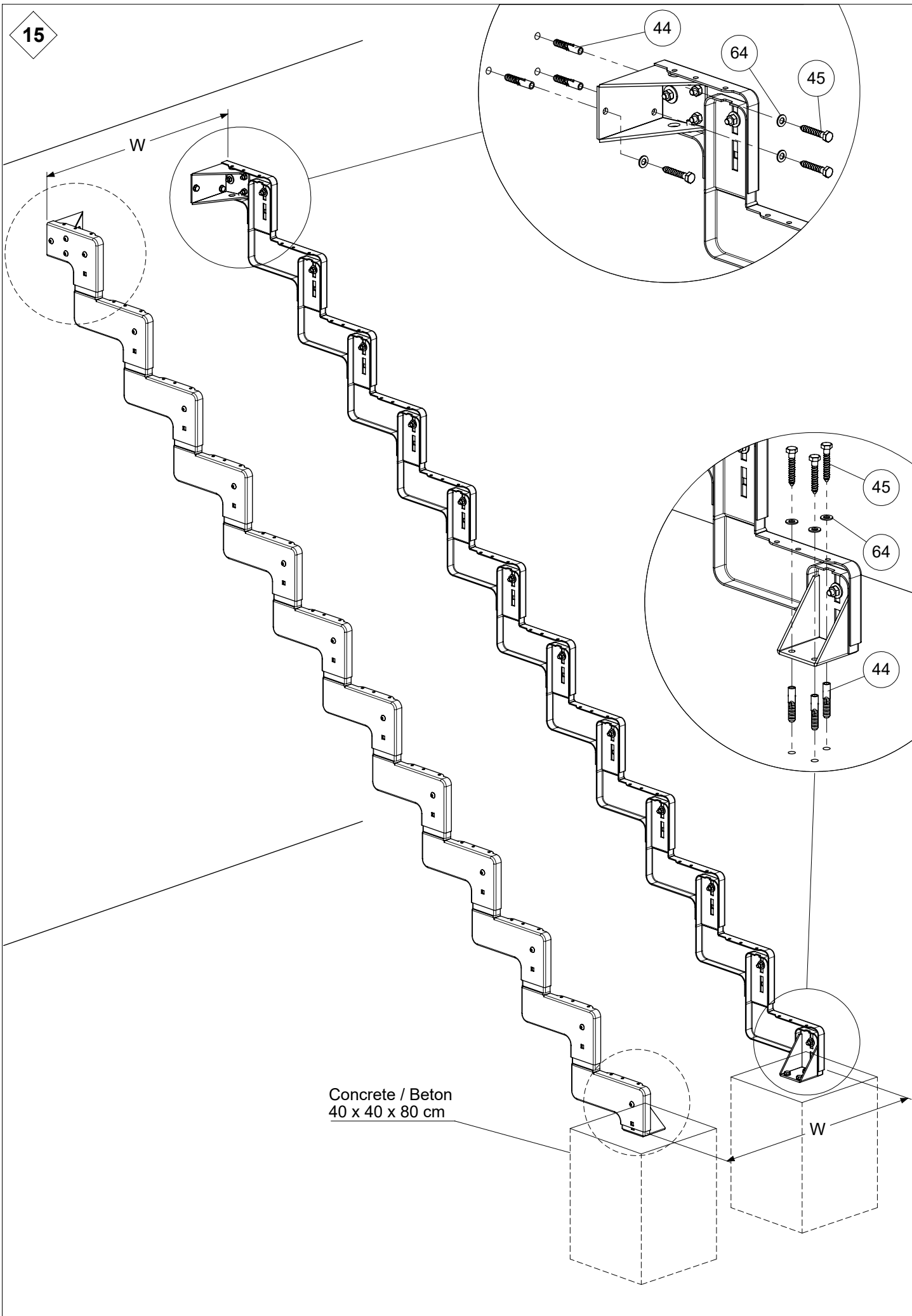


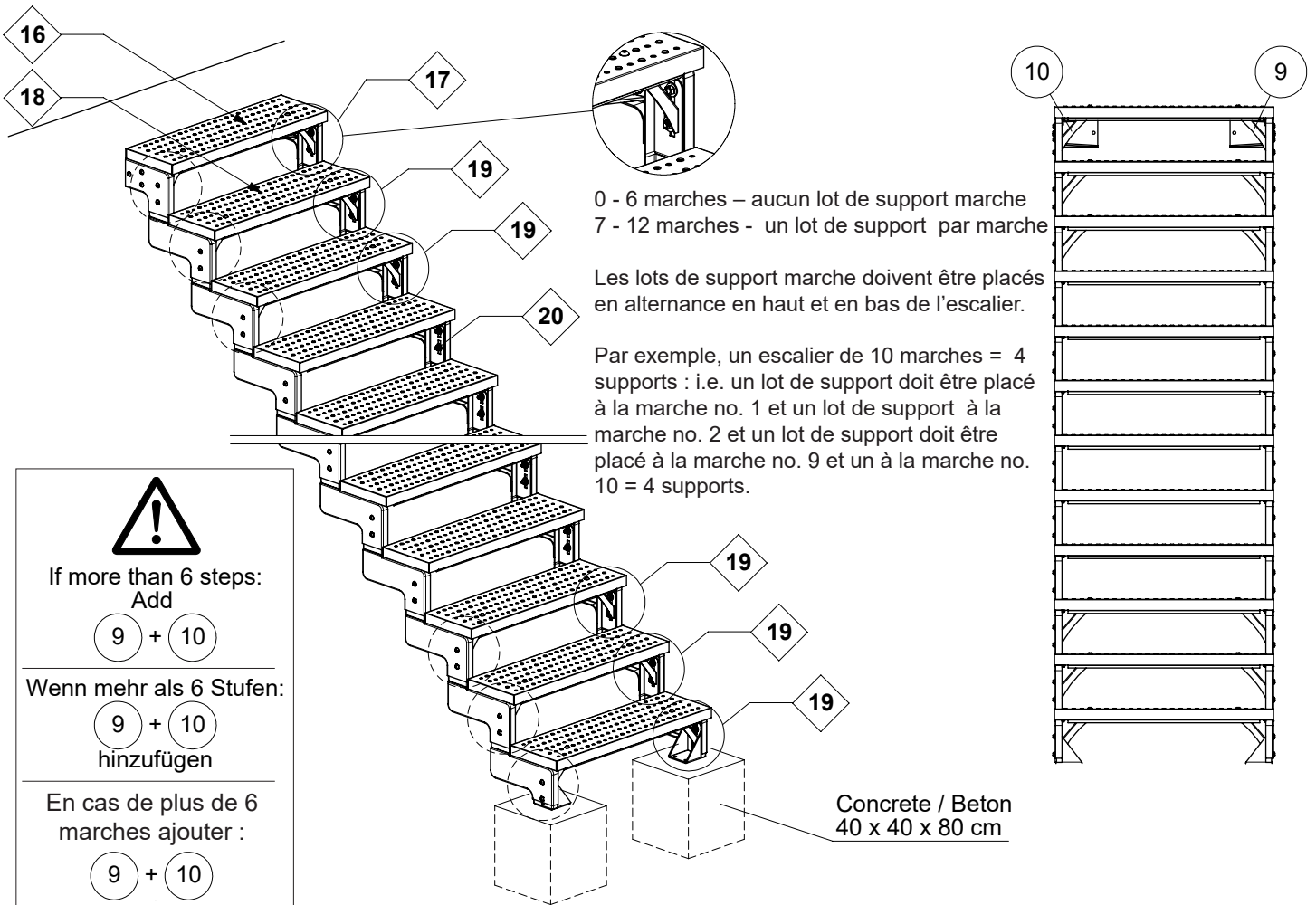
13





15





If more than 6 steps:  
 Add  
 9 + 10

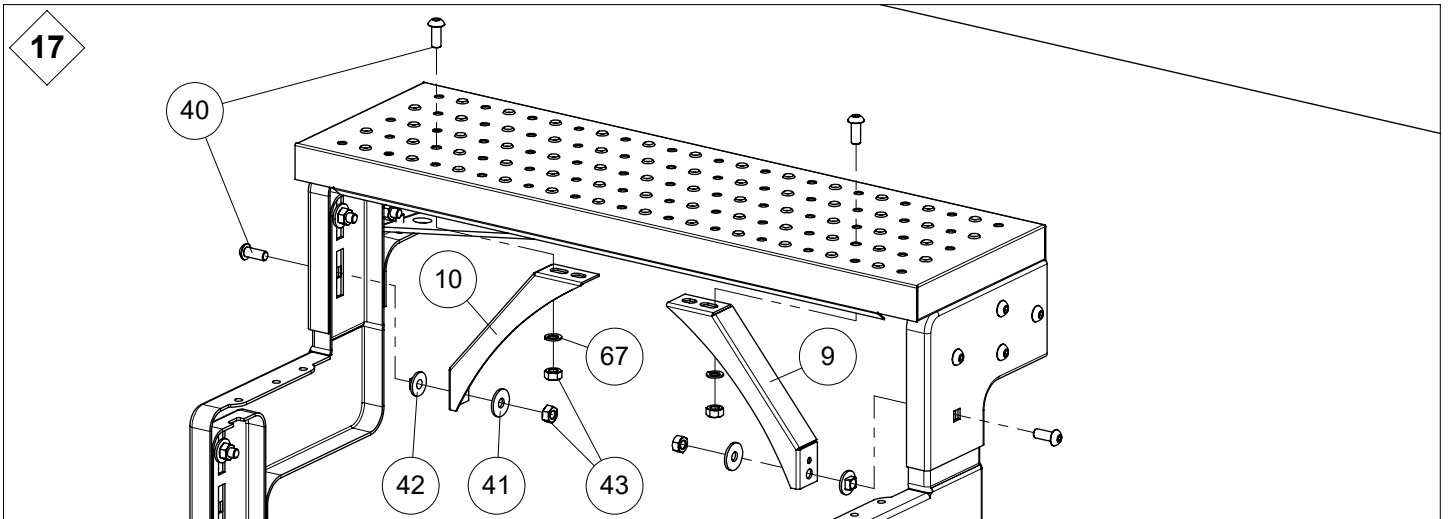
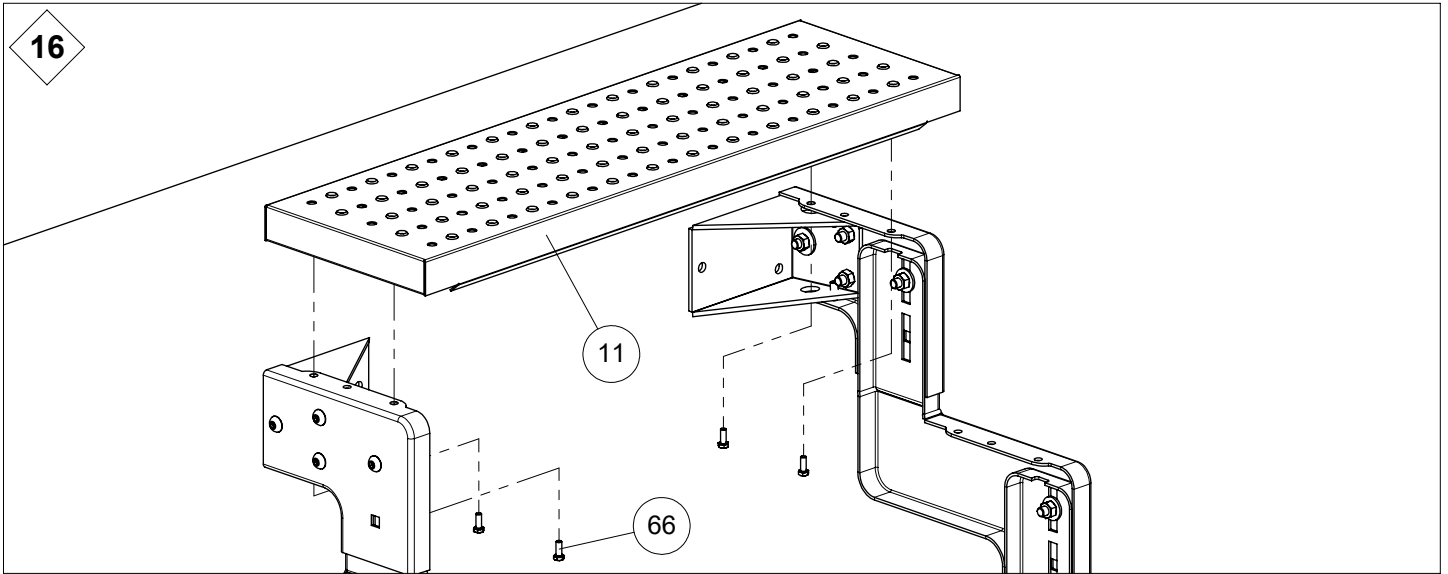
---

Wenn mehr als 6 Stufen:  
 hinzufügen  
 9 + 10

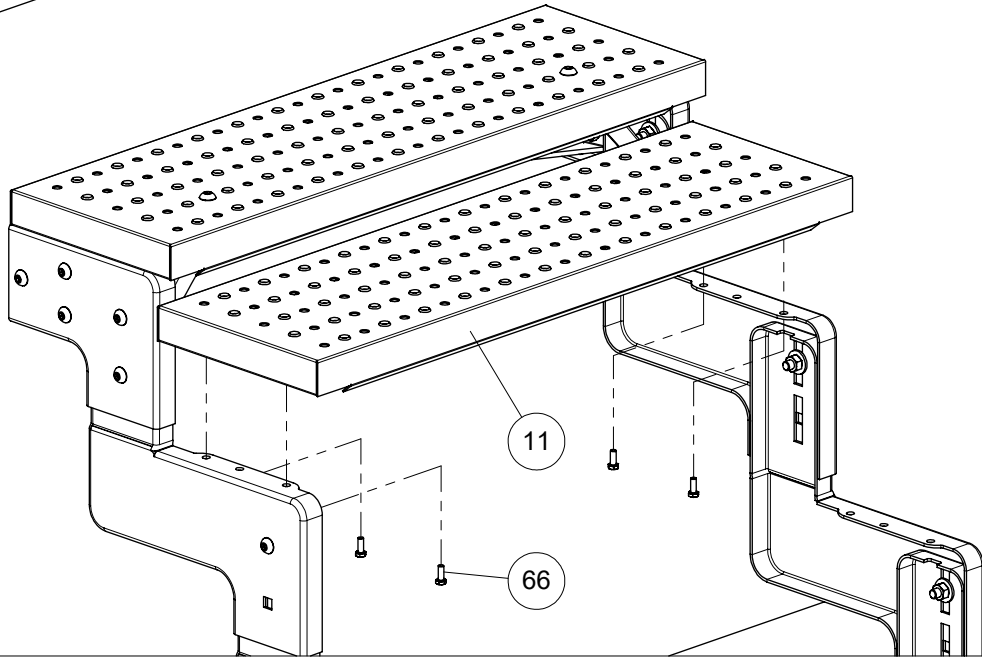
---

En cas de plus de 6  
 marches ajouter :

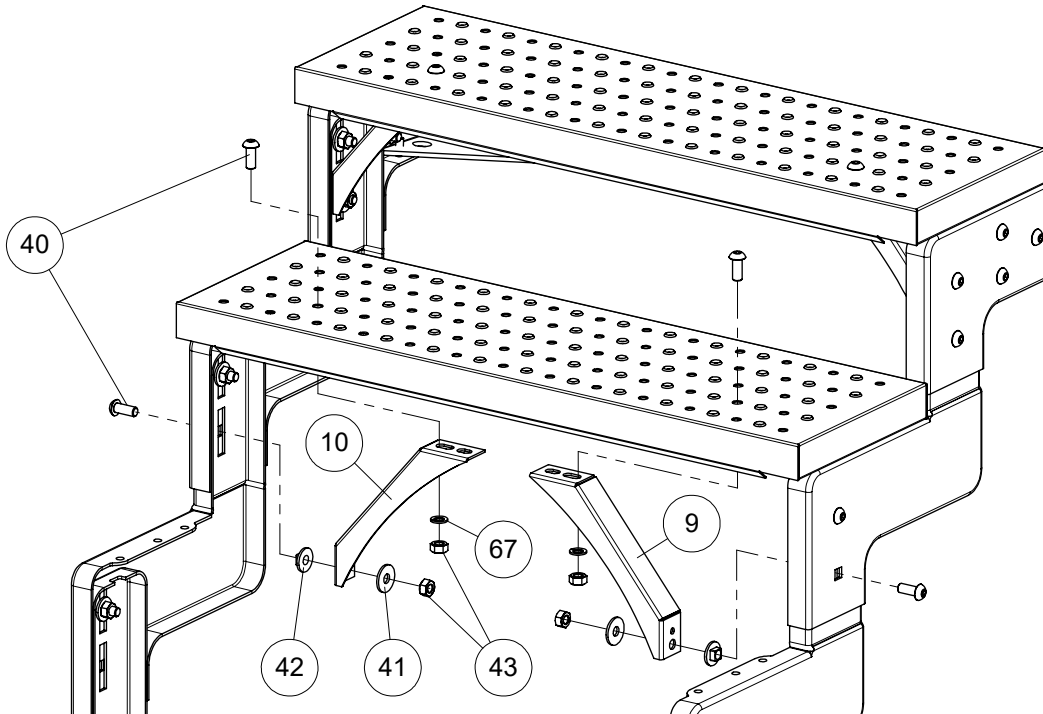
9 + 10



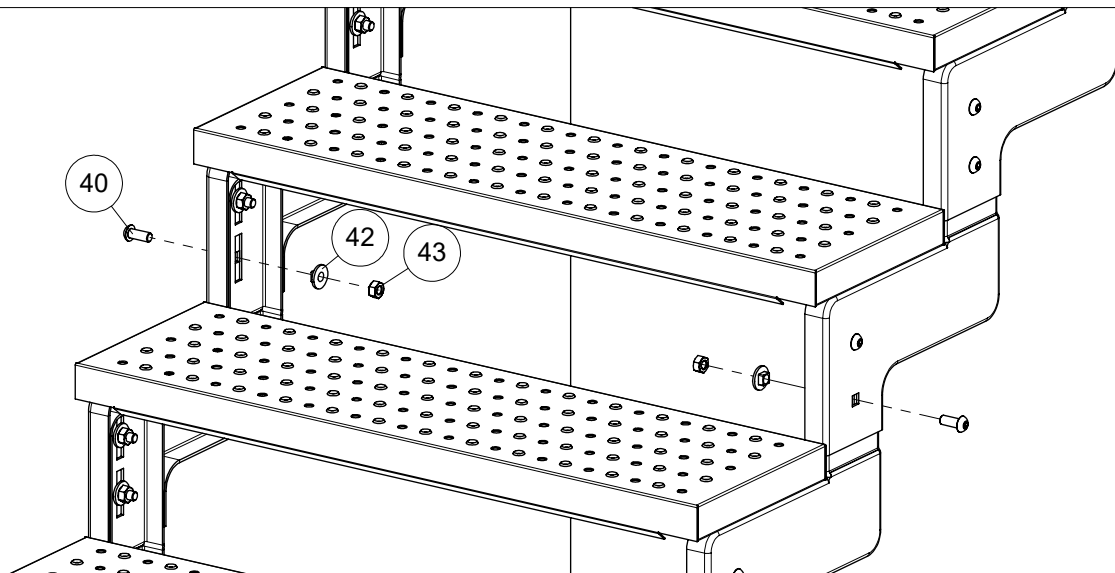
18



19



20

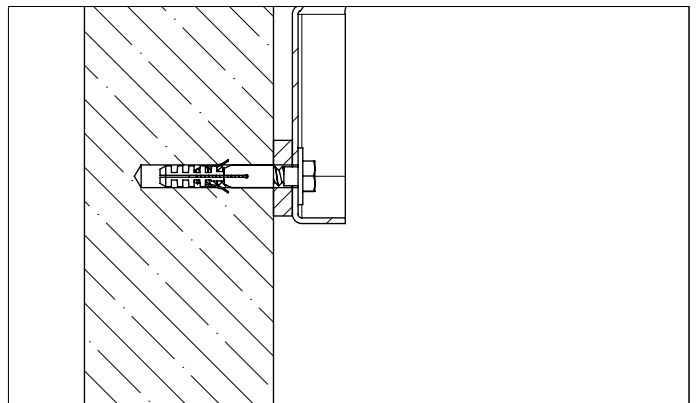
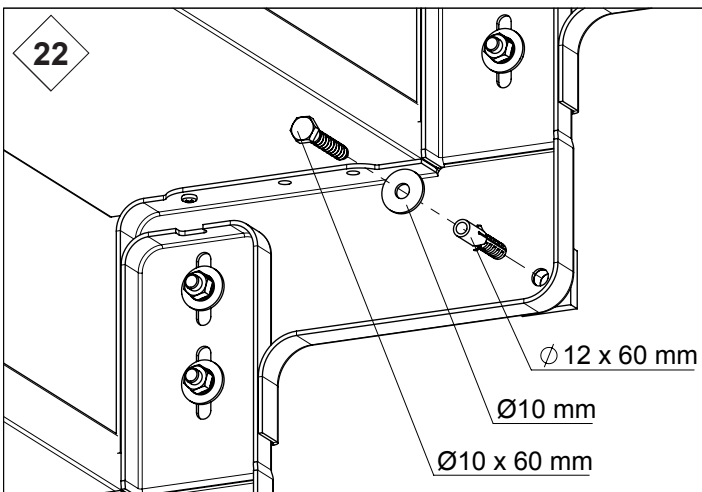
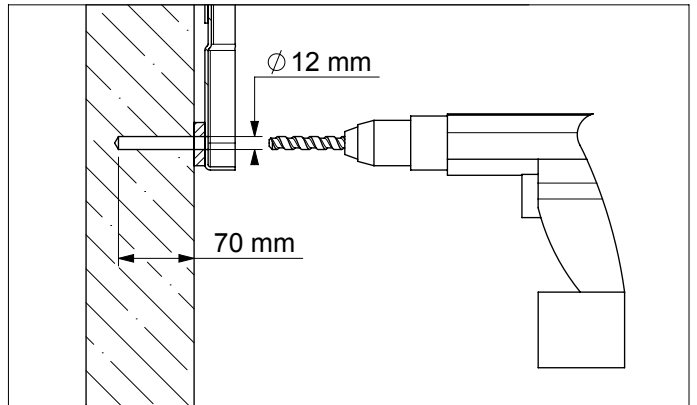
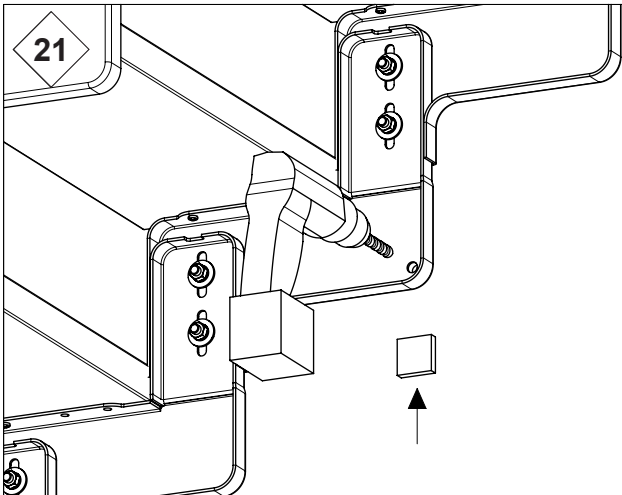
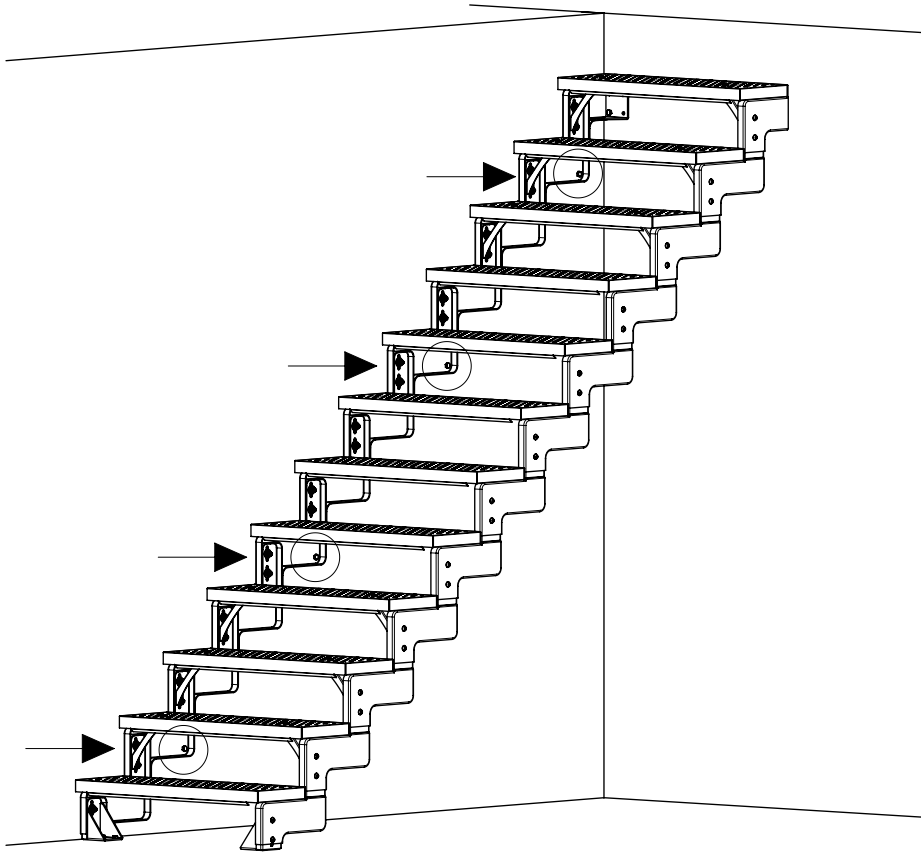




If more than 8 steps the staircase is to be fixed on the wall

Wenn mehr als 8 Stufen, muß die Treppe an die Wand befestigen.

En cas de plus de 8 marches l'escalier doit être fixé au mur

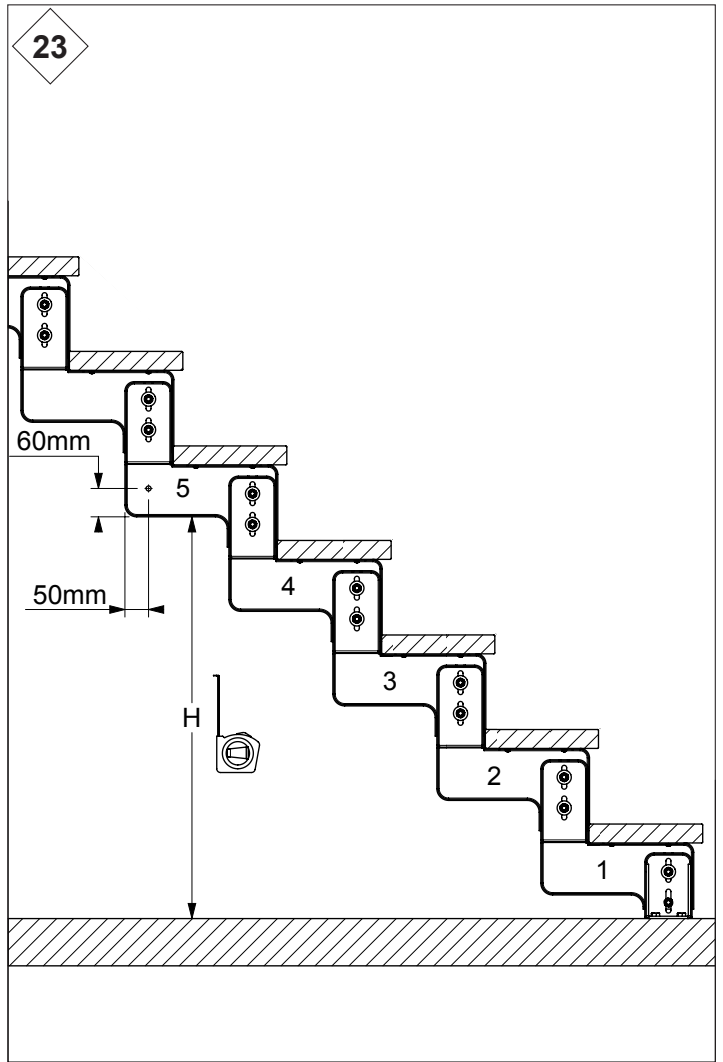
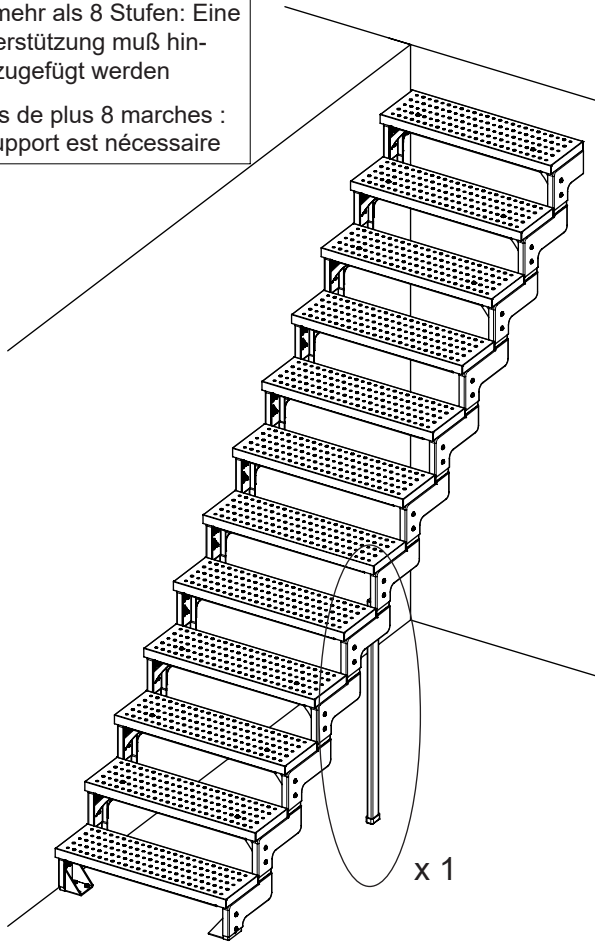




If more than 8 steps:  
One support is to be added

Wenn mehr als 8 Stufen: Eine  
Unterstützung muß hin-  
zugefügt werden

En cas de plus 8 marches :  
Un support est nécessaire



If more than 8 steps and  
no side wall: Two sup-  
ports is to be added

Wenn mehr als 8 Stufen  
und keine Seitenwand:  
Zwei Unterstüztungen  
muß hinzugefügt werden

En cas de plus de 8  
marches et si l'escalier  
n'est pas fixé au mur  
: Deux supports sont  
nécessaires.

