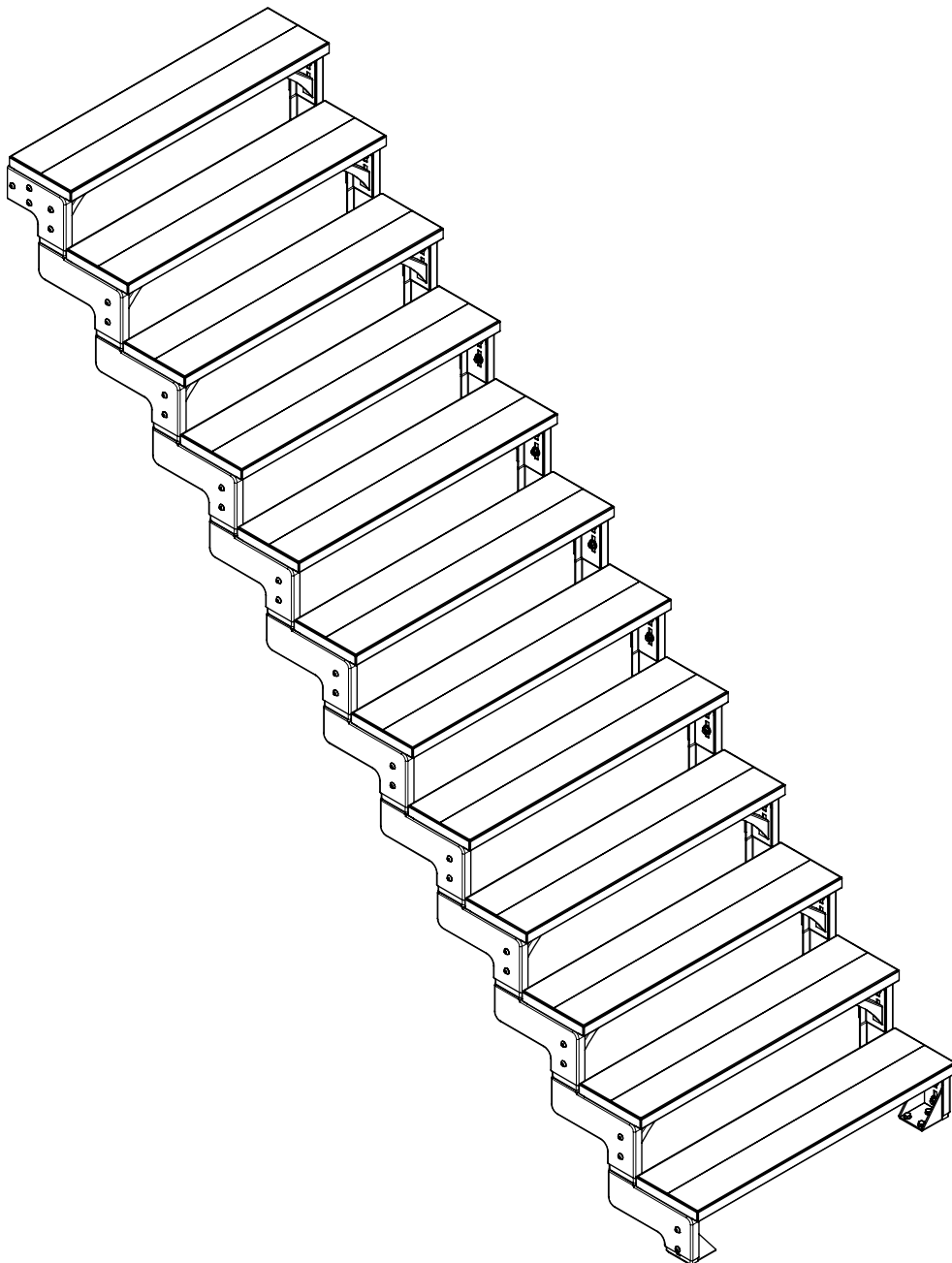


# GARDENTOP

## Stufen-Rahmen Step frame

Montageanleitung  
Installation instruction



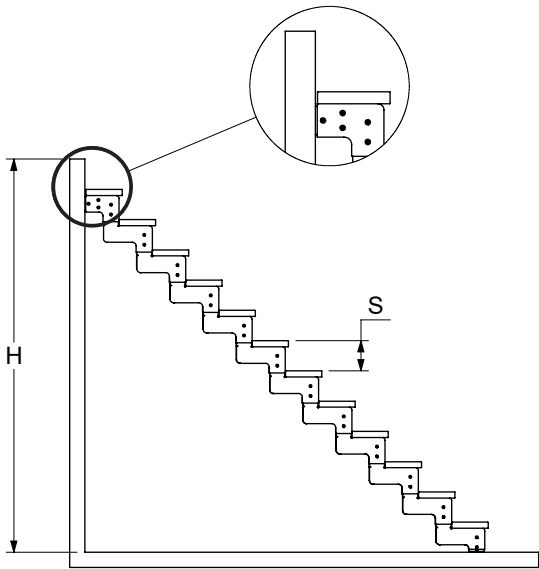
|  |  |  |  |  |  |
|--|--|--|--|--|--|
| <b>1068015</b>                                 |  | <b>Starter-Set<br/>Start kit</b>               |  |  |  |
| <p>1 2</p> <p>x1 K1-41430      x1 K1-41930</p> |  | <p>7 8</p> <p>x1 K1-41911      x1 K1-41910</p> |  | <p>5</p> <p>x2 K2-41900</p>                |  |
| <p>6</p> <p>x2 K1-41940</p>                    |  | <p>40</p> <p>x14 K3-02045<br/>M10 x 25</p>     |  | <p>41</p> <p>x2 K3-04110<br/>Ø10</p>       |  |
| <p>42</p> <p>x8 K3-04198<br/>Ø10</p>           |  | <p>43</p> <p>x14 K3-03051<br/>M10</p>          |  | <p>44</p> <p>x12 K3-08001<br/>Ø12 x 60</p> |  |
| <p>45</p> <p>x12 K3-06070<br/>Ø10 x 60</p>     |  | <p>59</p> <p>x12 K3-06269<br/>Ø6 x 35</p>      |  | <p>63</p> <p>x4 K3-05022<br/>M8 x 20</p>   |  |
| <p>64</p> <p>x12 K3-04010<br/>Ø10,5</p>        |  |  |  |  |  |

|  |  |   |  |  |  |
|--|--|---|--|--|--|
| <b>1068016</b>                                 |  | <b>Ergänzungs-Set<br/>1 step kit</b>      |  |  |  |
| <p>3 4</p> <p>x1 K1-41921      x1 K1-41920</p> |  | <p>40</p> <p>x4 K3-02045<br/>M10 x 25</p> |  | <p>42</p> <p>x4 K3-04198<br/>Ø10</p>     |  |
|  |  | <p>43</p> <p>x4 K3-03051<br/>M10</p>      |  | <p>59</p> <p>x6 K3-06269<br/>Ø6 x 35</p> |  |

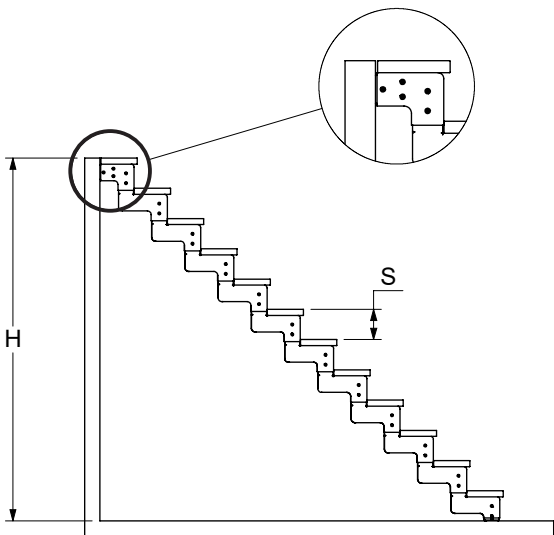
|  |  |   |  |   |  |
|--|--|---|--|---|--|
| <b>1068020</b>   |  | <b>Stufen-Winkel<br/>Step support 1 step</b>                              |  |   |  |
| <p>If more than 6 steps:<br/>Add<br/>9 + 10</p> <p>Wenn mehr als 6 Stufen:<br/>9 + 10<br/>hinzufügen</p> |  | <p>9 10</p> <p>x1 K1-41060      x1 K1-41061</p> <p>Max. 6 Satz   sets</p> |  | <p>40</p> <p>x2 K3-02045<br/>M10 x 25</p> |  |
|  |  | <p>43</p> <p>x2 K3-03051<br/>M10</p>                                      |  | <p>58</p> <p>x2 K3-02386<br/>M8 x 40</p>  |  |
|  |  | <p>59</p> <p>x1 K3-06269<br/>Ø6 x 35</p>                                  |  | <p>61</p> <p>x2 K3-03047<br/>M8</p>       |  |
|  |  | <p>65</p> <p>x2 K3-04099<br/>Ø10</p>                                      |  |   |  |

|                |                         |  |                                      |  |  |
|----------------|-------------------------|--|--------------------------------------|--|--|
| <b>1068061</b> |                         | <b>Stufen-Rahmen</b><br><b>Step frame 1 step</b> |                                      |  |  |
|                | <p>× 6<br/>K1-41129</p> | <p>× 6<br/>K3-02222<br/>M6 x 12</p>              | <p>× 12<br/>K3-06287<br/>Ø5 x 30</p> |  |  |
|                |                         | <p>× 2<br/>K3-02226<br/>M6 x 16</p>              | <p>× 6<br/>K3-04016<br/>Ø6</p>       |  |  |

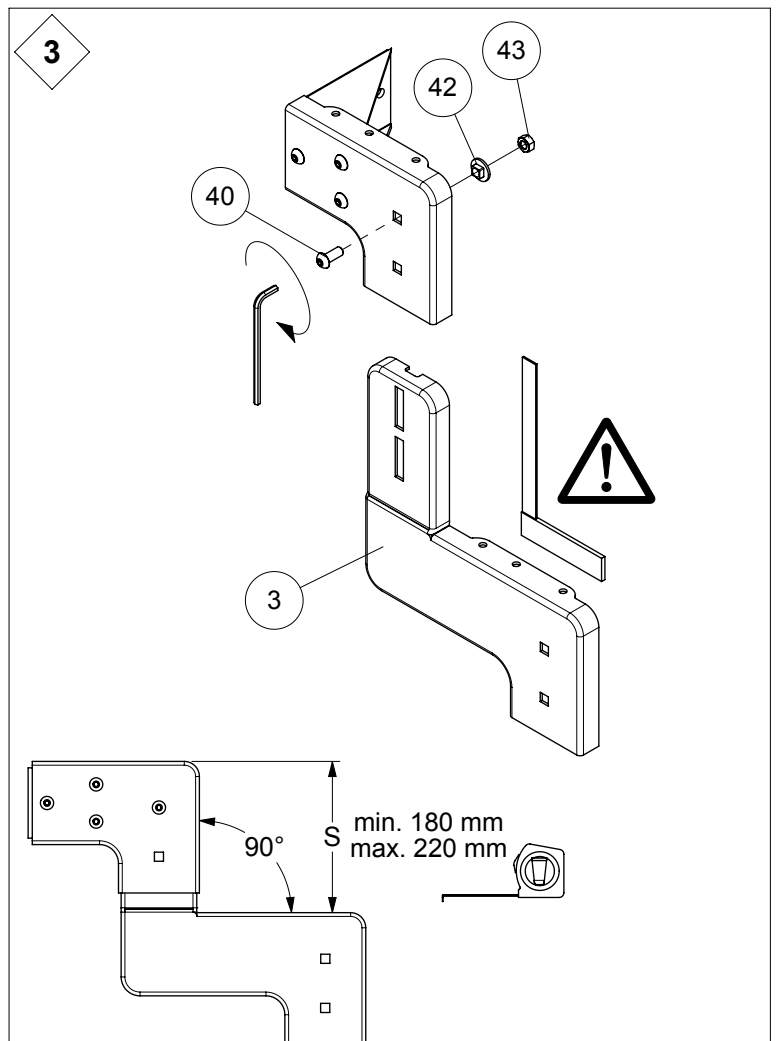
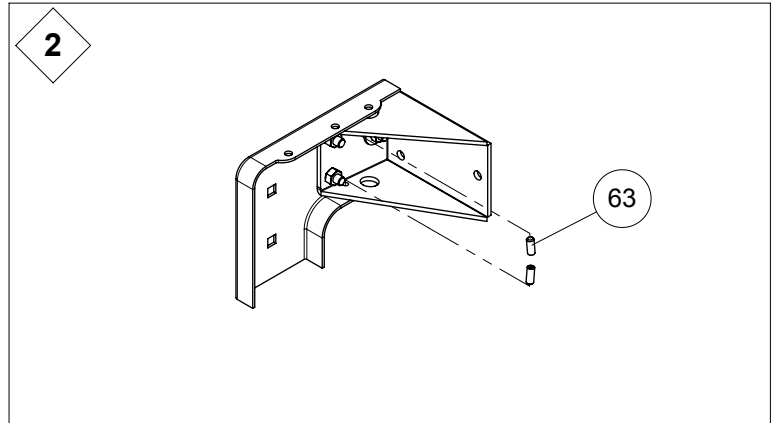
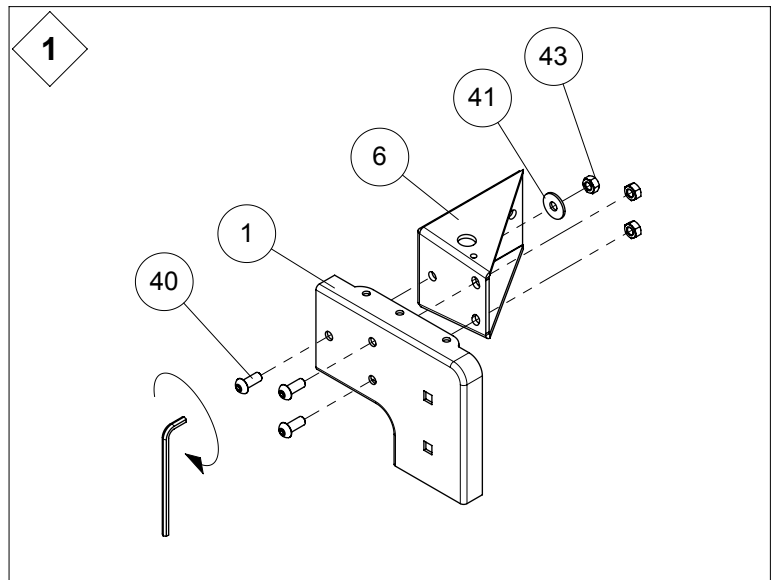
|                         |                                    |  |                                     |                                 |                                      |
|-------------------------|------------------------------------|--|-------------------------------------|---------------------------------|--------------------------------------|
| <b>1068098</b>          |                                    | <b>Unterstützung</b><br><b>Support</b> |                                     |                                 | <b>OPTION</b>                        |
| <p>× 1<br/>K1-41950</p> | <p>× 1<br/>K1-41955</p>            | <p>× 1<br/>K1-41956</p>                | <p>× 1<br/>K3-04110<br/>Ø10</p>     | <p>× 1<br/>K3-03051<br/>M10</p> | <p>× 1<br/>K3-02375<br/>M10 x 75</p> |
|                         | <p>× 2<br/>K3-05007<br/>M5 x 5</p> | <p>× 1<br/>K3-08002<br/>Ø8 x 40</p>    | <p>× 1<br/>K3-06032<br/>Ø6 x 60</p> |                                 |                                      |

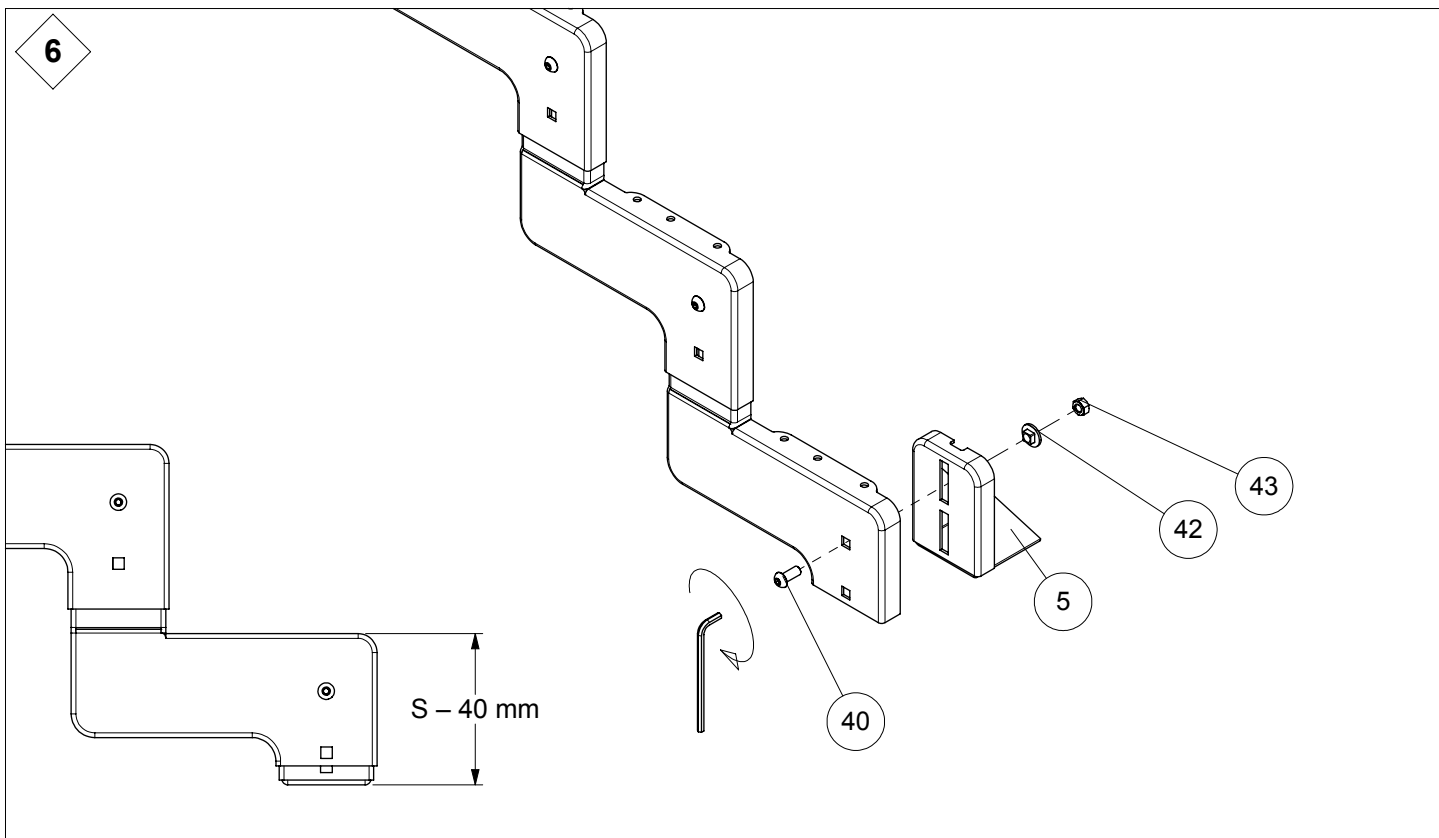
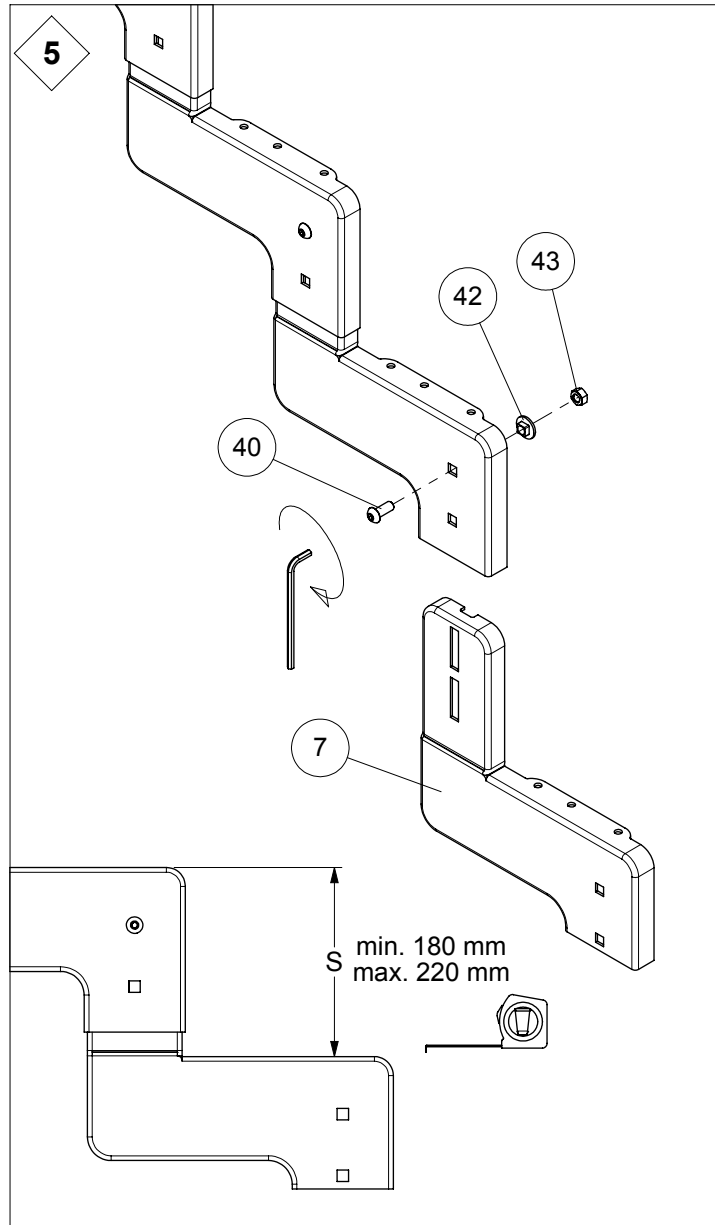
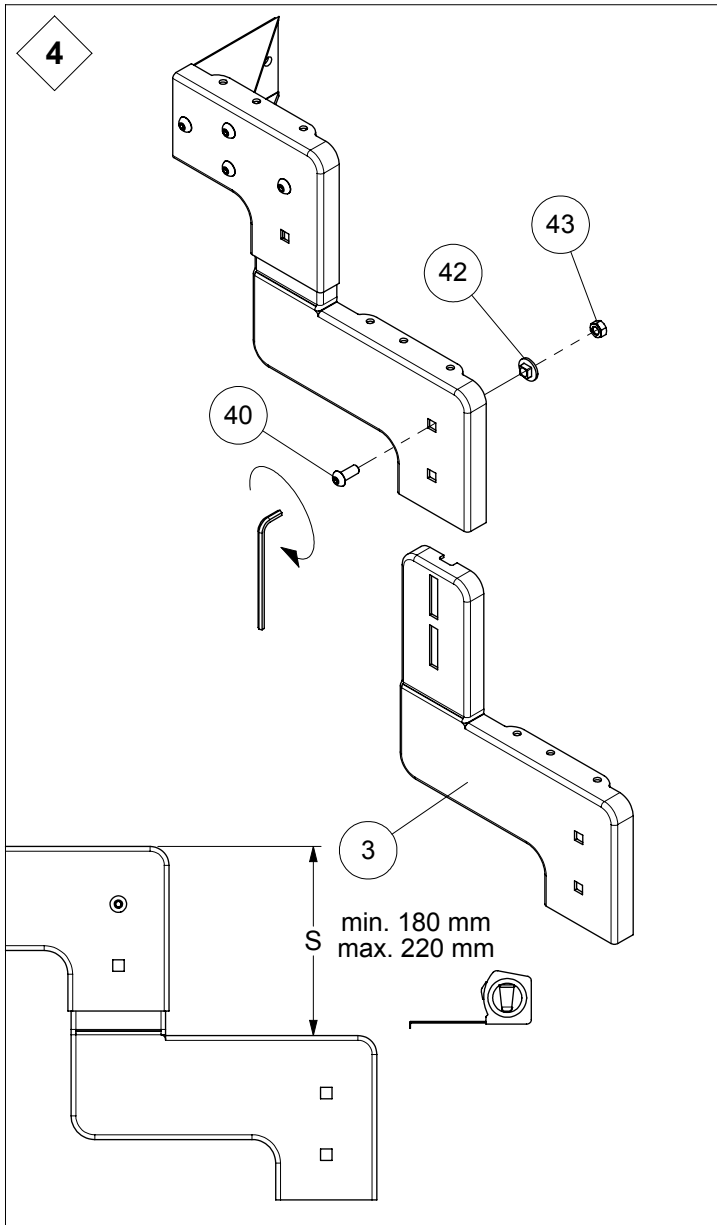


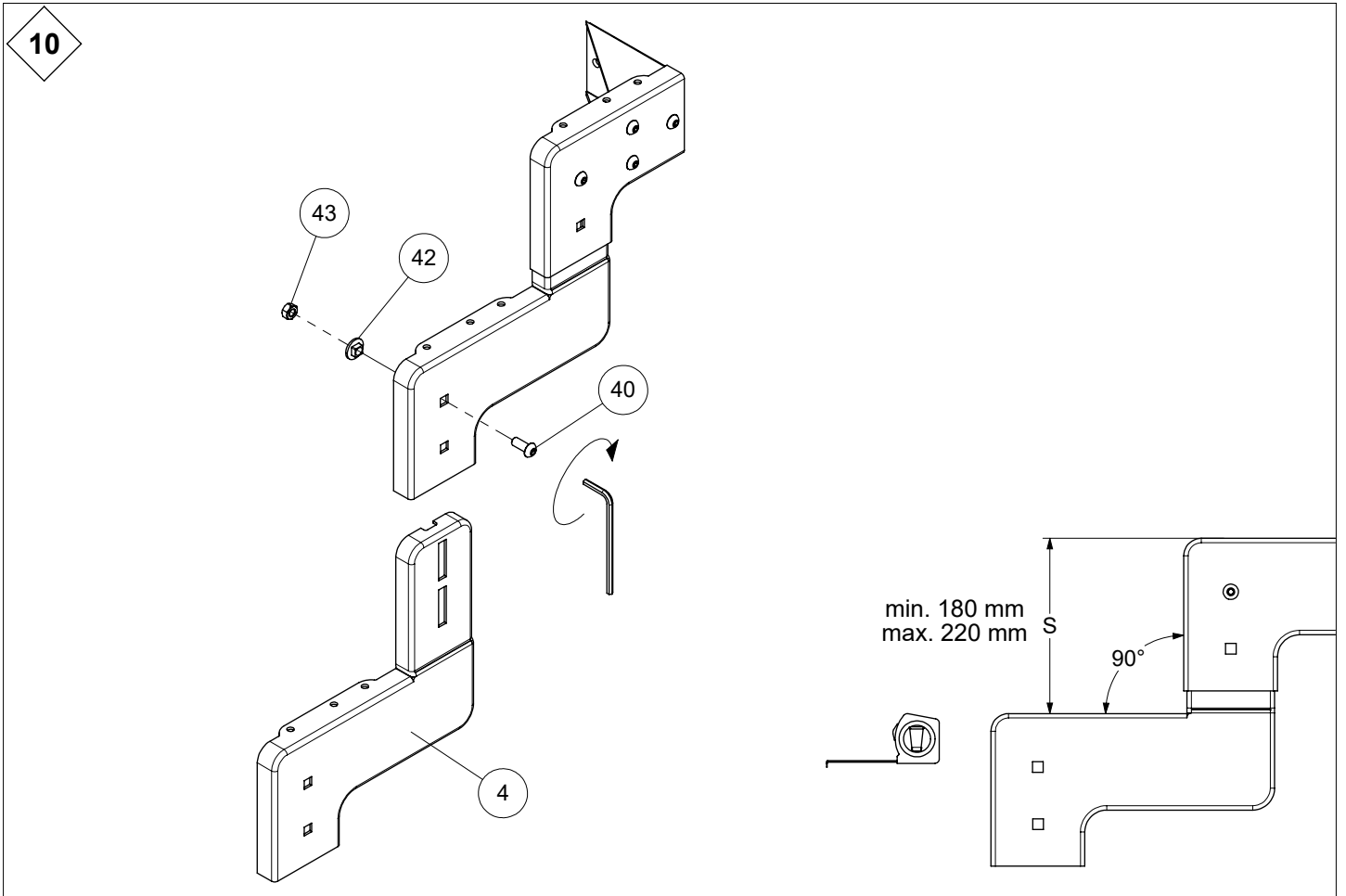
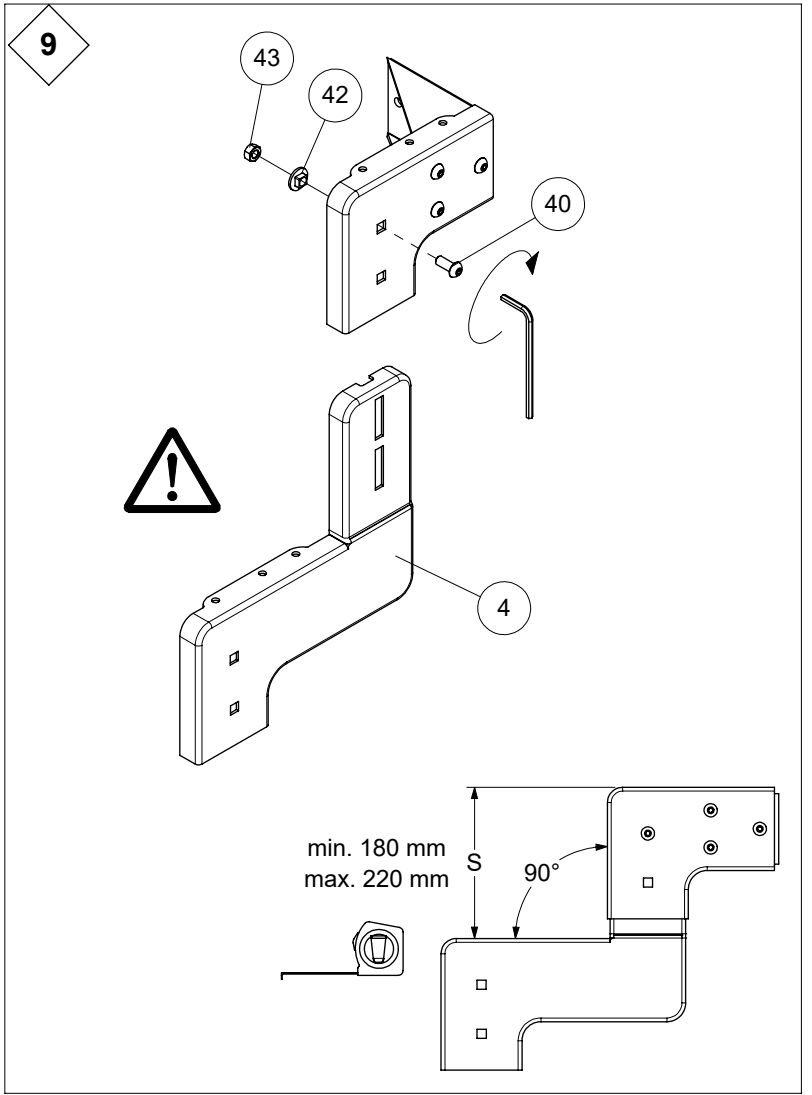
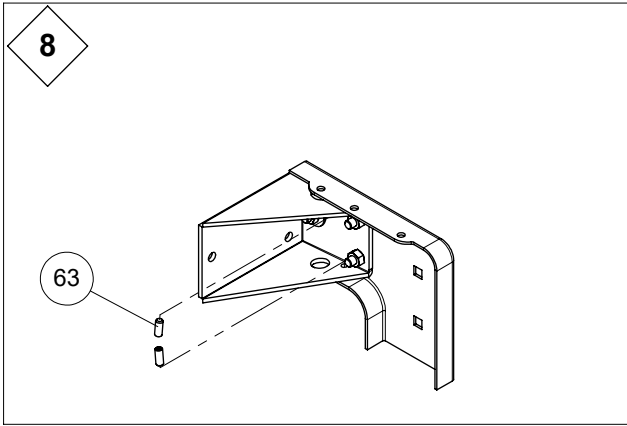
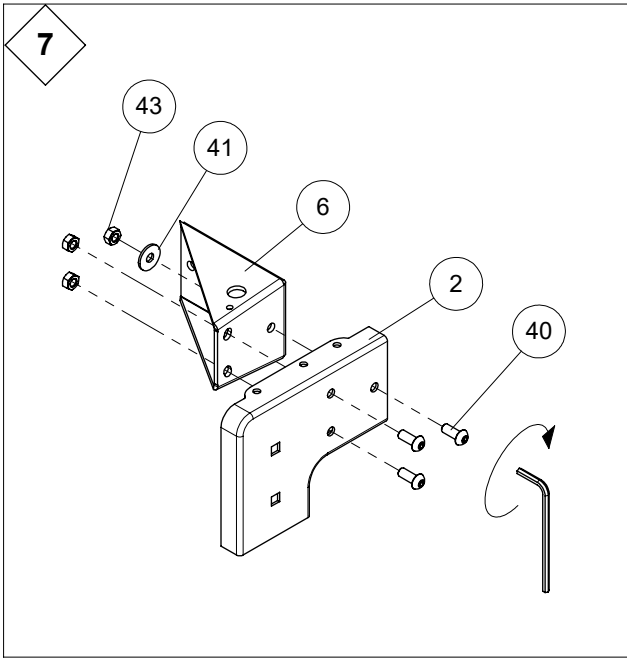
| H  | S    |      |      |      |      |
|----|------|------|------|------|------|
|    | 180  | 190  | 200  | 210  | 220  |
|    | mm   | mm   | mm   | mm   | mm   |
| 2  | 540  | 570  | 600  | 630  | 660  |
| 3  | 720  | 760  | 800  | 840  | 880  |
| 4  | 900  | 950  | 1000 | 1050 | 1100 |
| 5  | 1080 | 1140 | 1200 | 1260 | 1320 |
| 6  | 1260 | 1330 | 1400 | 1470 | 1540 |
| 7  | 1440 | 1520 | 1600 | 1680 | 1760 |
| 8  | 1620 | 1710 | 1800 | 1890 | 1980 |
| 9  | 1800 | 1900 | 2000 | 2100 | 2200 |
| 10 | 1980 | 2090 | 2200 | 2310 | 2420 |
| 11 | 2160 | 2280 | 2400 | 2520 | 2640 |
| 12 | 2340 | 2470 | 2600 | 2730 | 2860 |

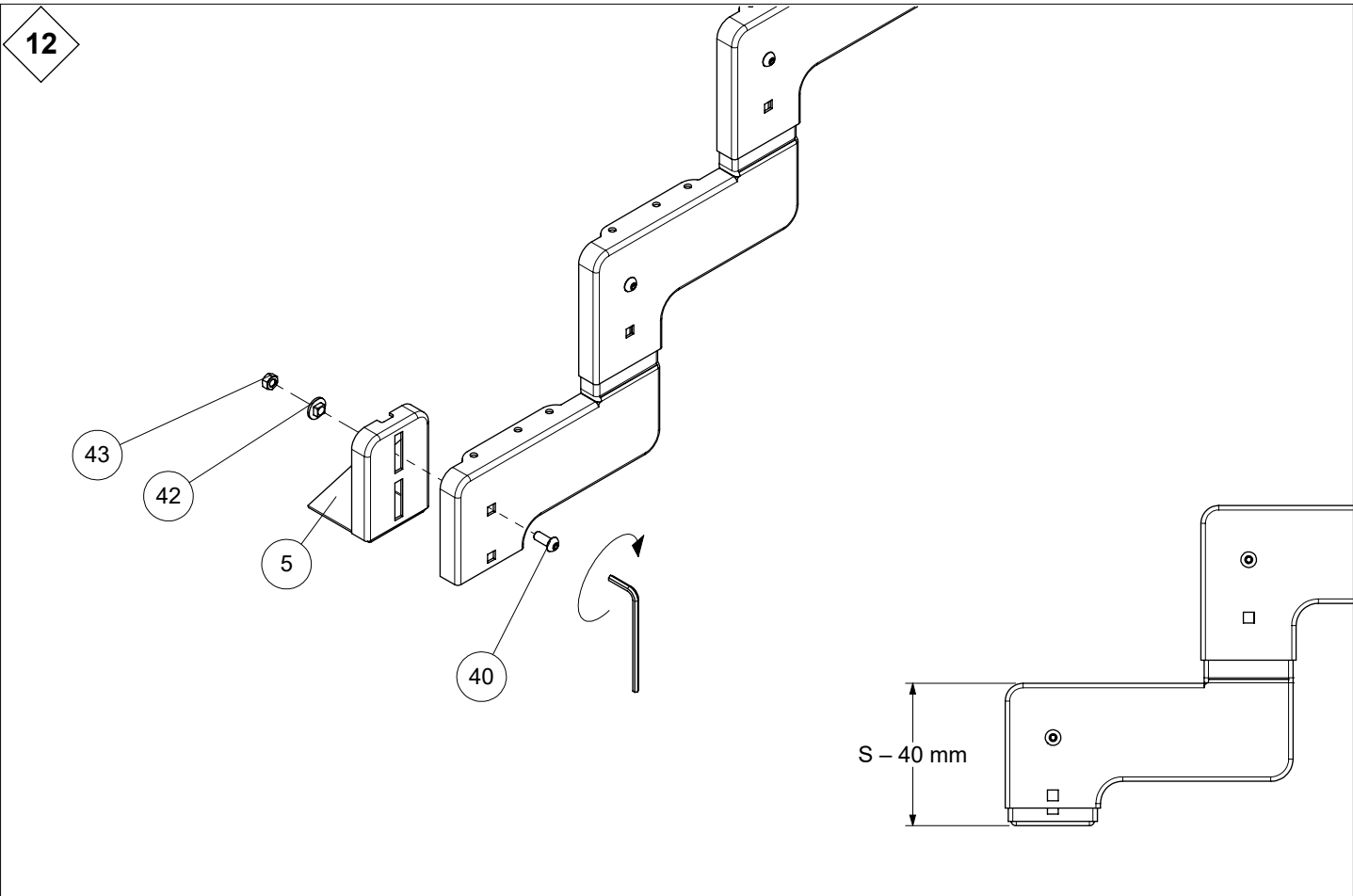
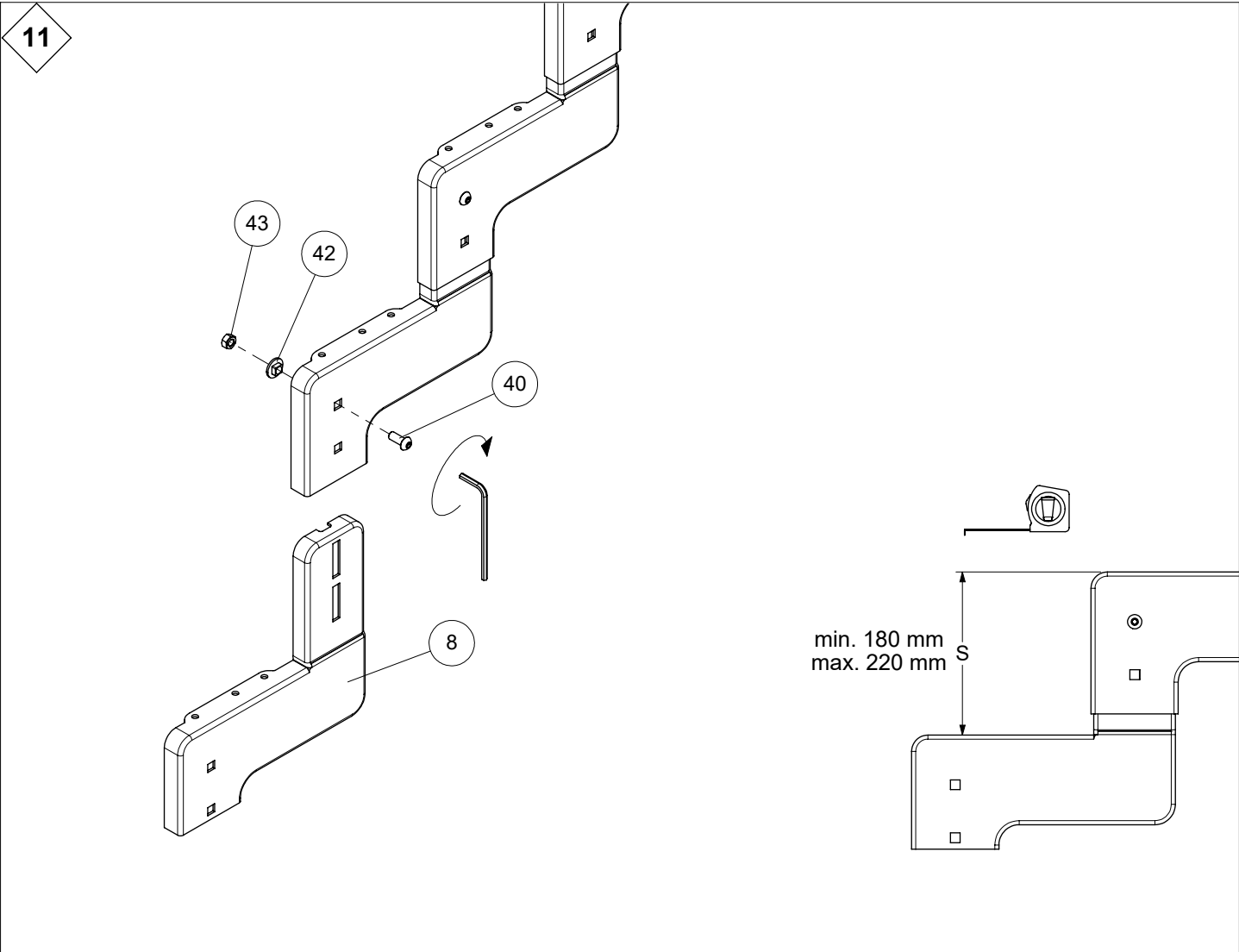


| H  | S    |      |      |      |      |
|----|------|------|------|------|------|
|    | 180  | 190  | 200  | 210  | 220  |
|    | mm   | mm   | mm   | mm   | mm   |
| 2  | 360  | 380  | 400  | 420  | 440  |
| 3  | 540  | 570  | 600  | 630  | 660  |
| 4  | 720  | 760  | 800  | 840  | 880  |
| 5  | 900  | 950  | 1000 | 1050 | 1100 |
| 6  | 1080 | 1140 | 1200 | 1260 | 1320 |
| 7  | 1260 | 1330 | 1400 | 1470 | 1540 |
| 8  | 1440 | 1520 | 1600 | 1680 | 1760 |
| 9  | 1620 | 1710 | 1800 | 1890 | 1980 |
| 10 | 1800 | 1900 | 2000 | 2100 | 2200 |
| 11 | 1980 | 2090 | 2200 | 2310 | 2420 |
| 12 | 2160 | 2280 | 2400 | 2520 | 2640 |



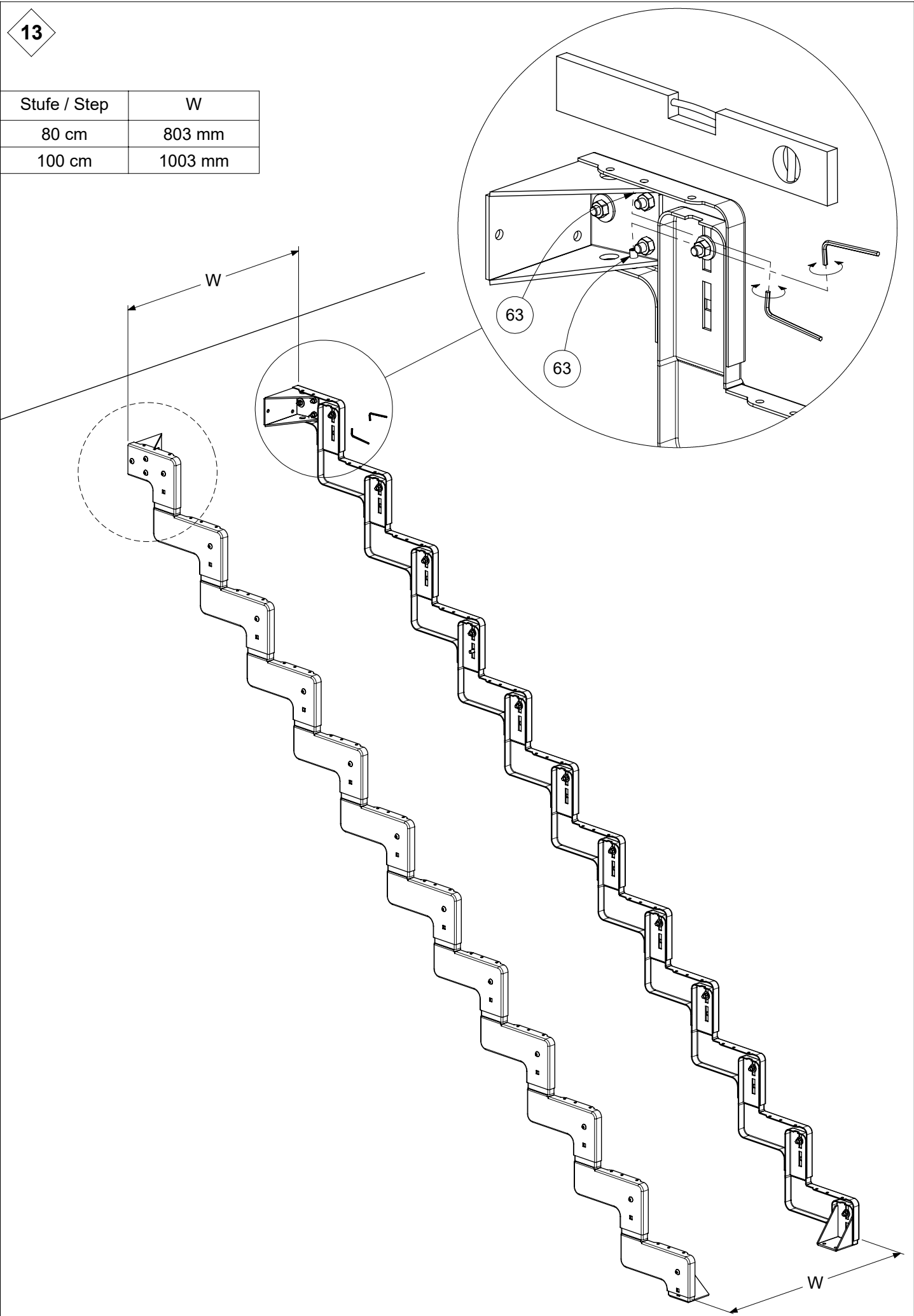




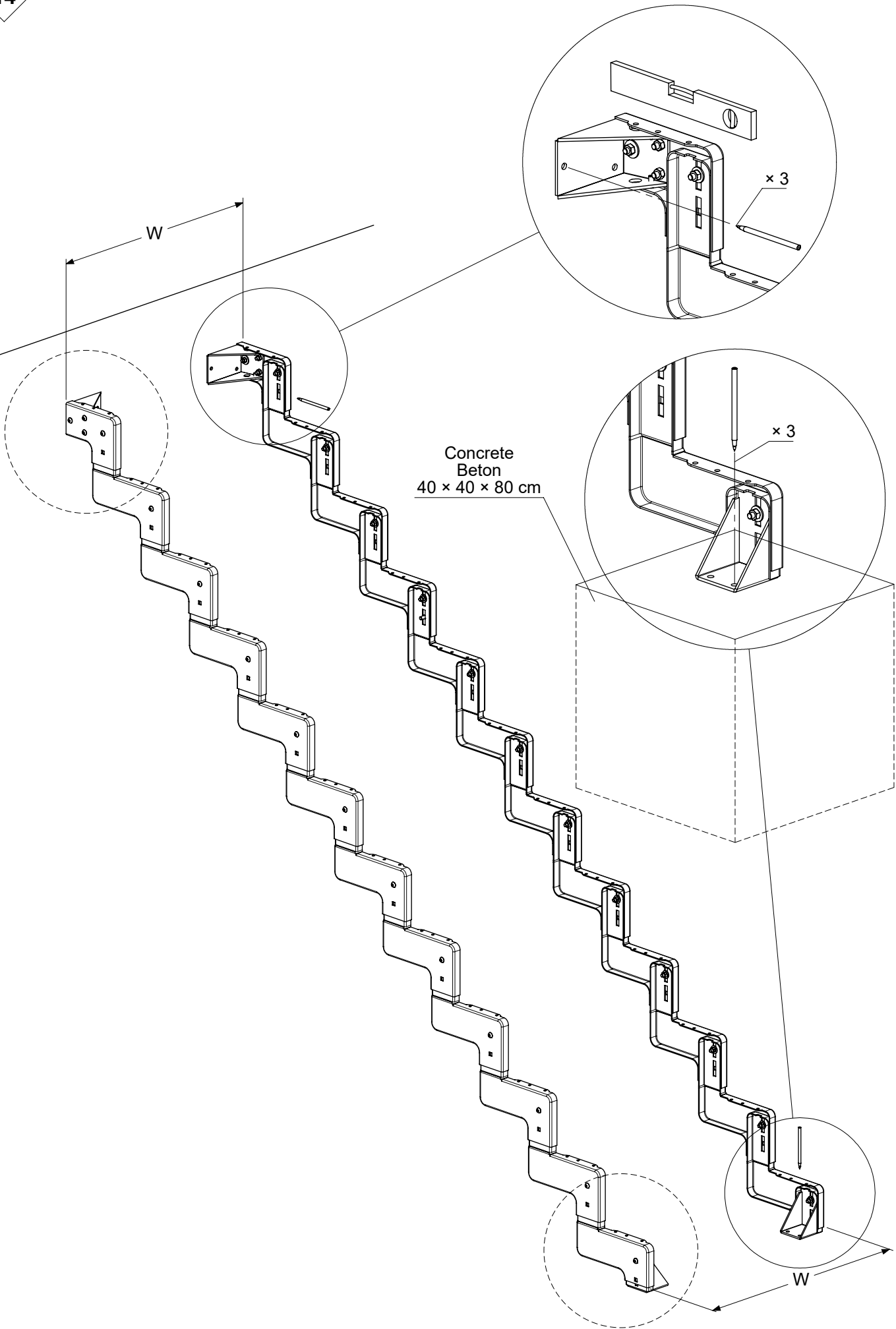


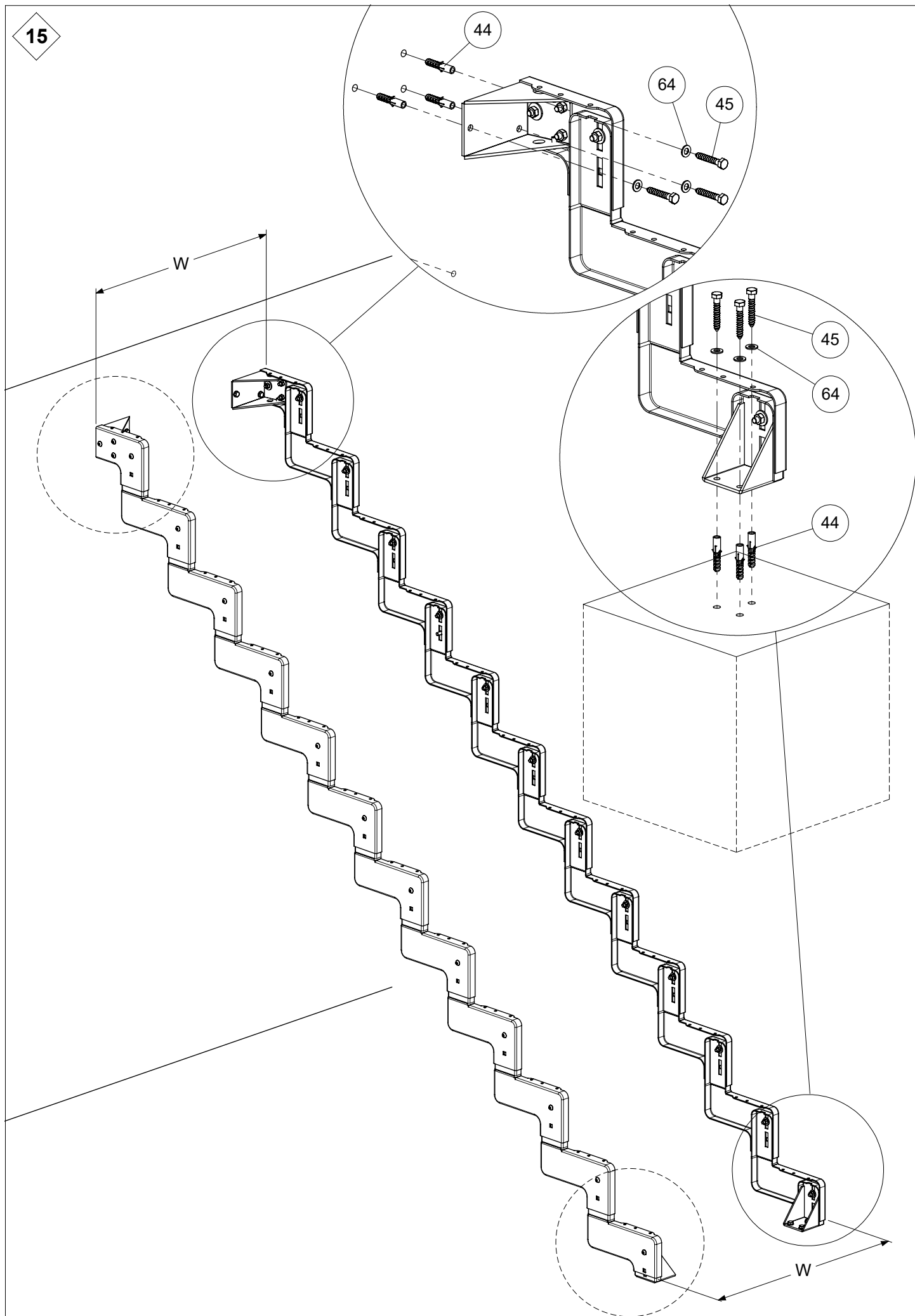
13

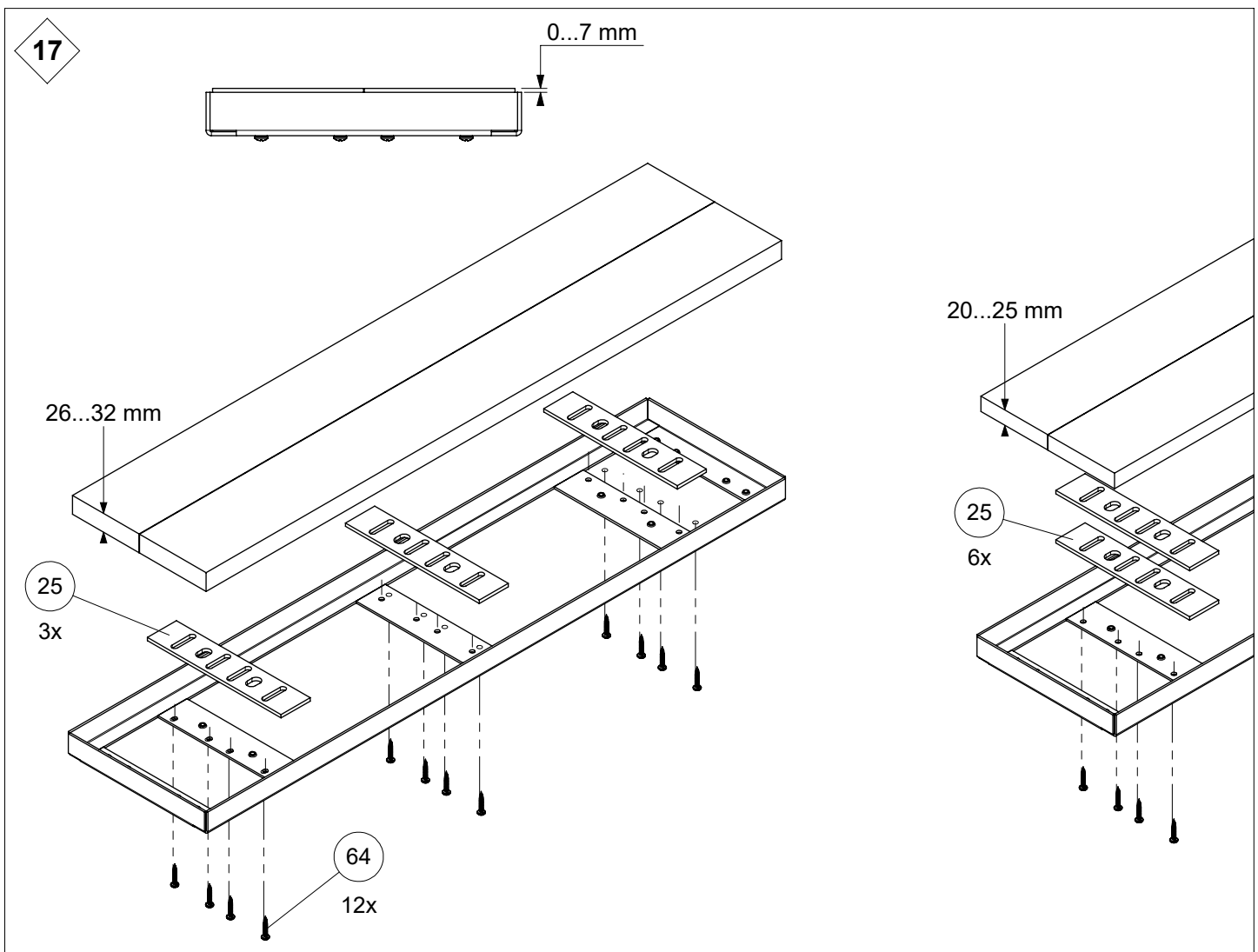
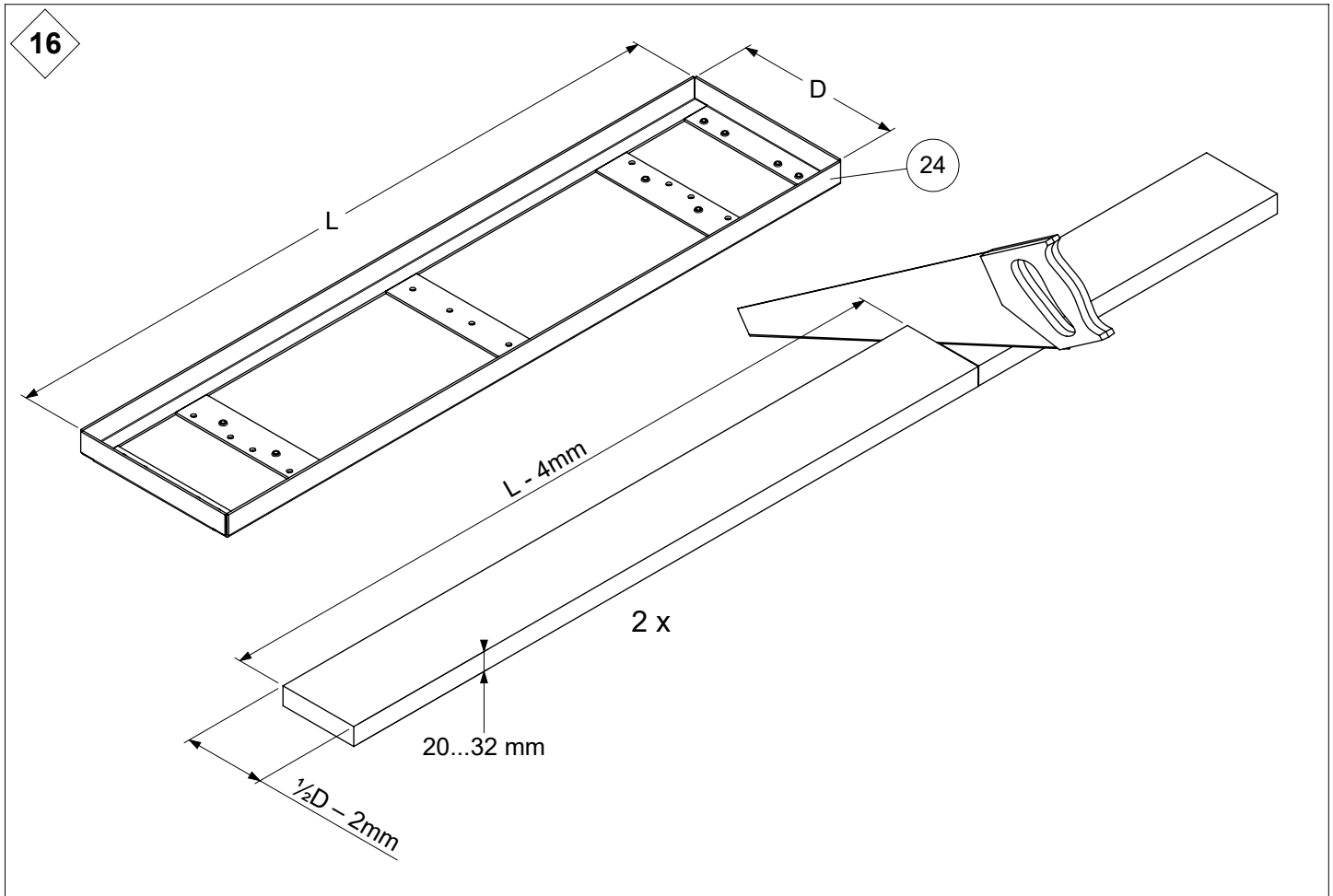
| Stufe / Step | W       |
|--------------|---------|
| 80 cm        | 803 mm  |
| 100 cm       | 1003 mm |

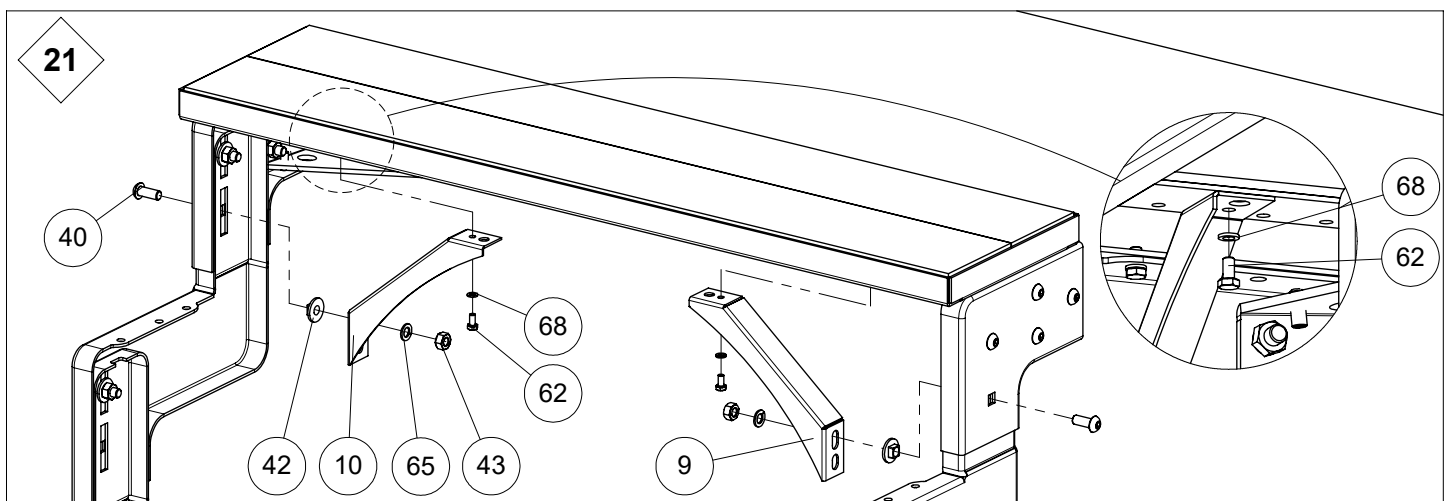
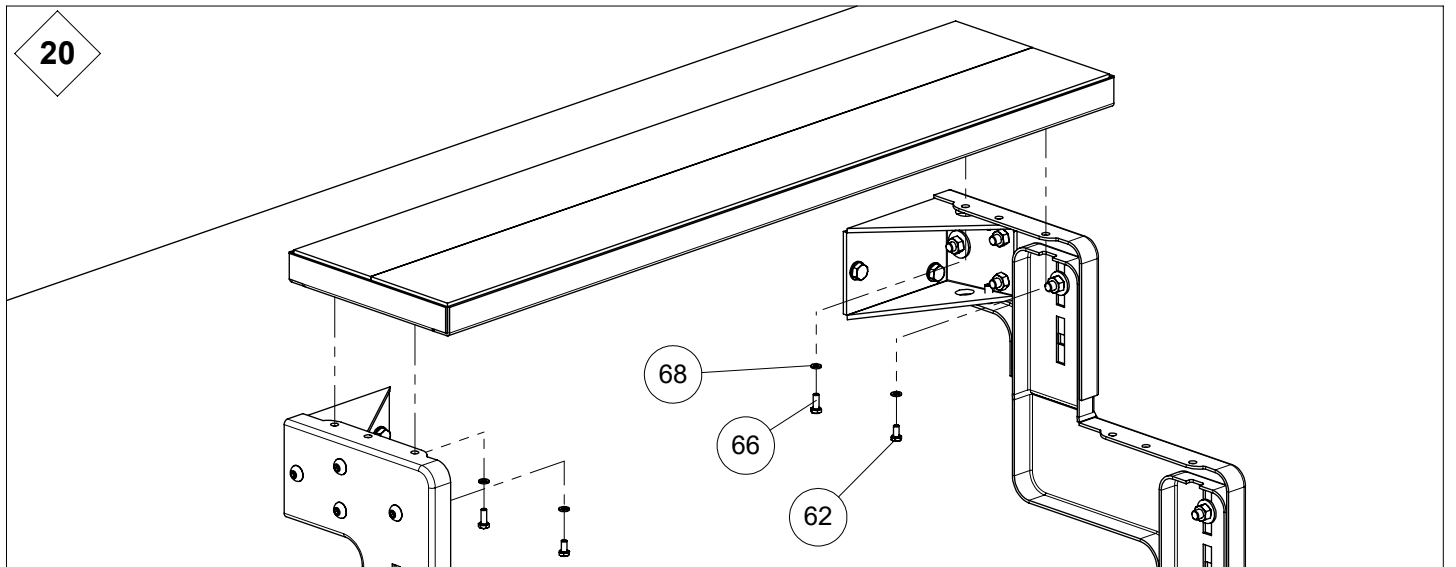
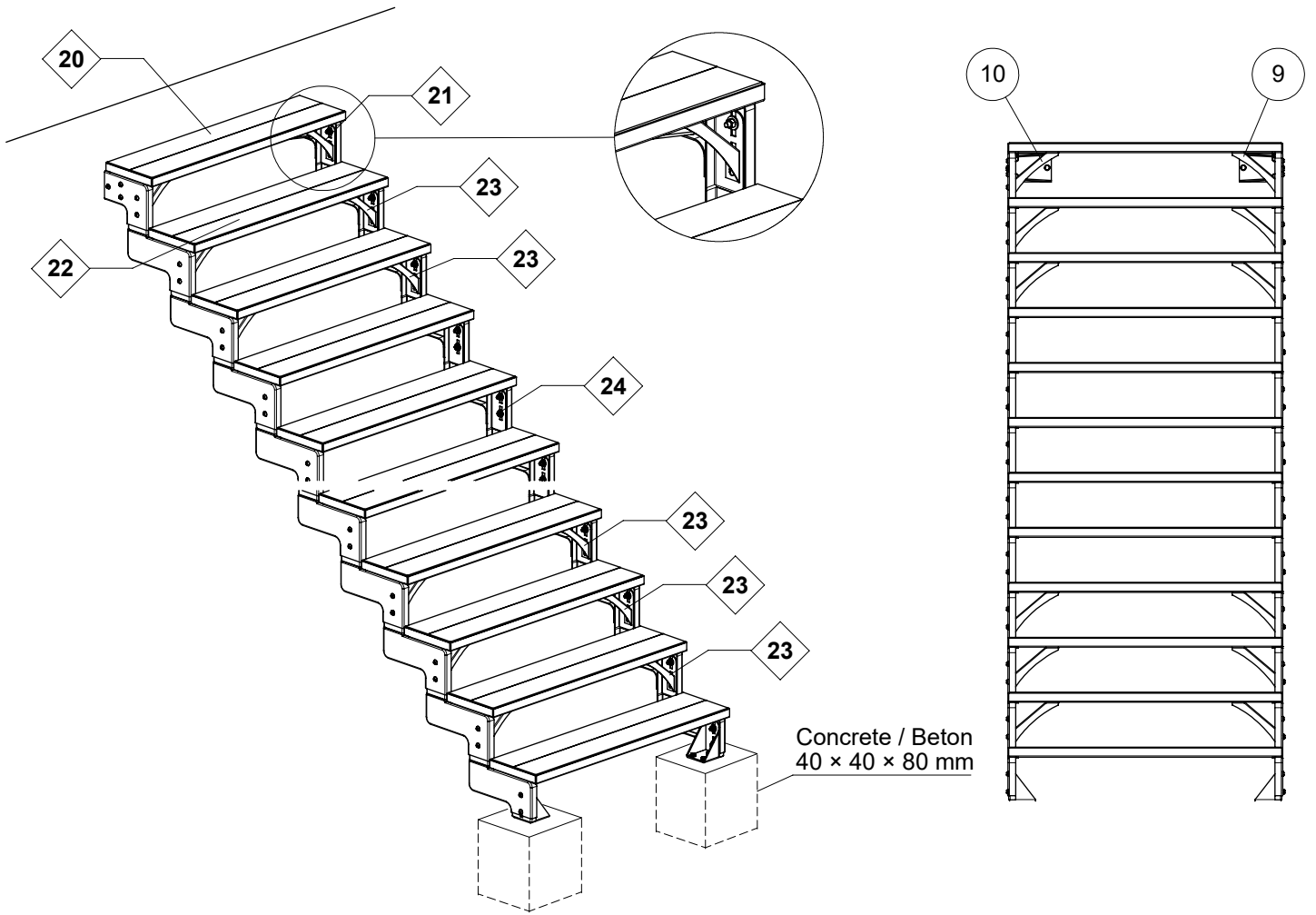




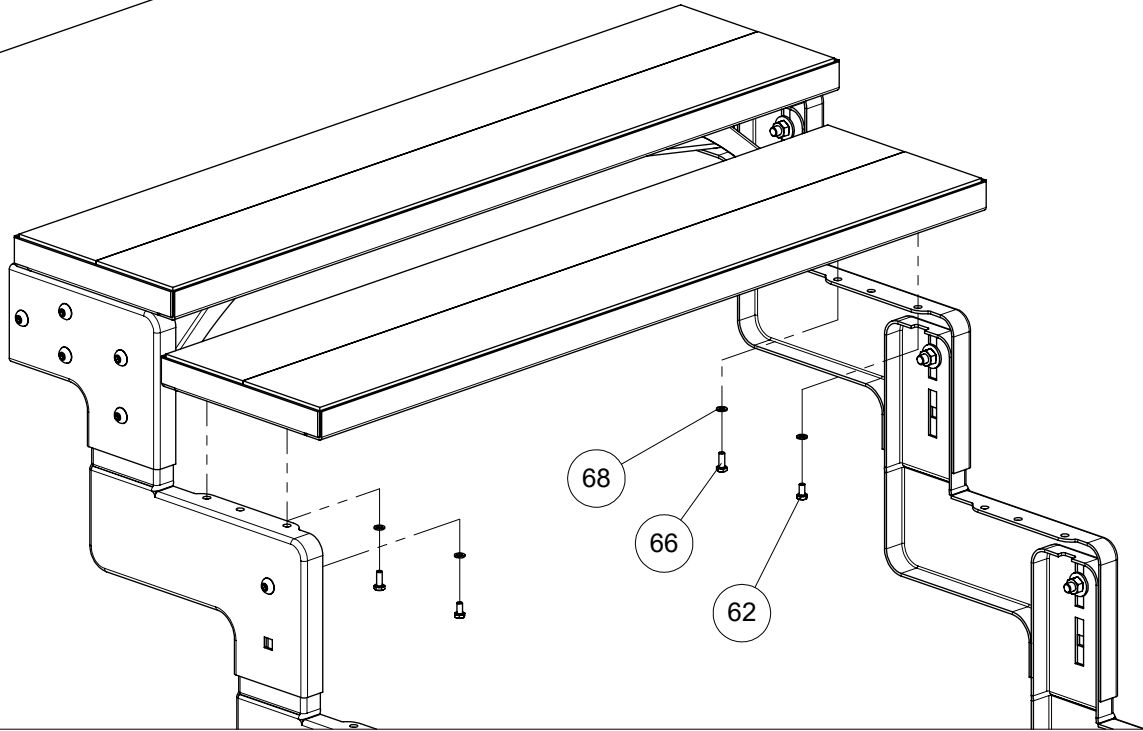




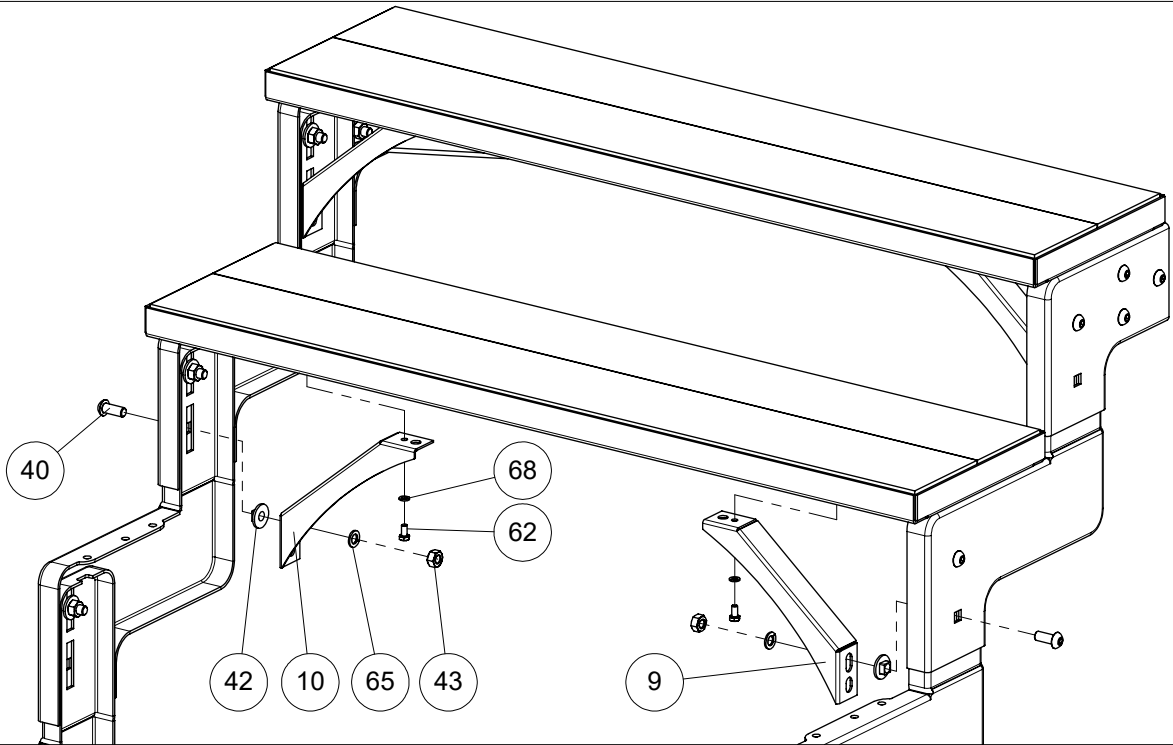




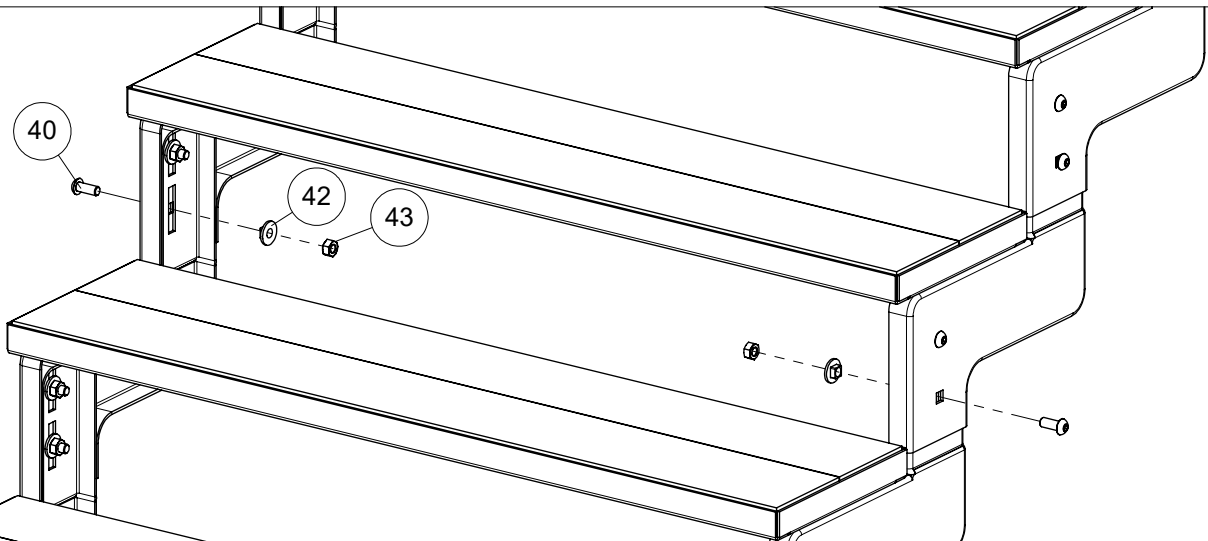
22



23



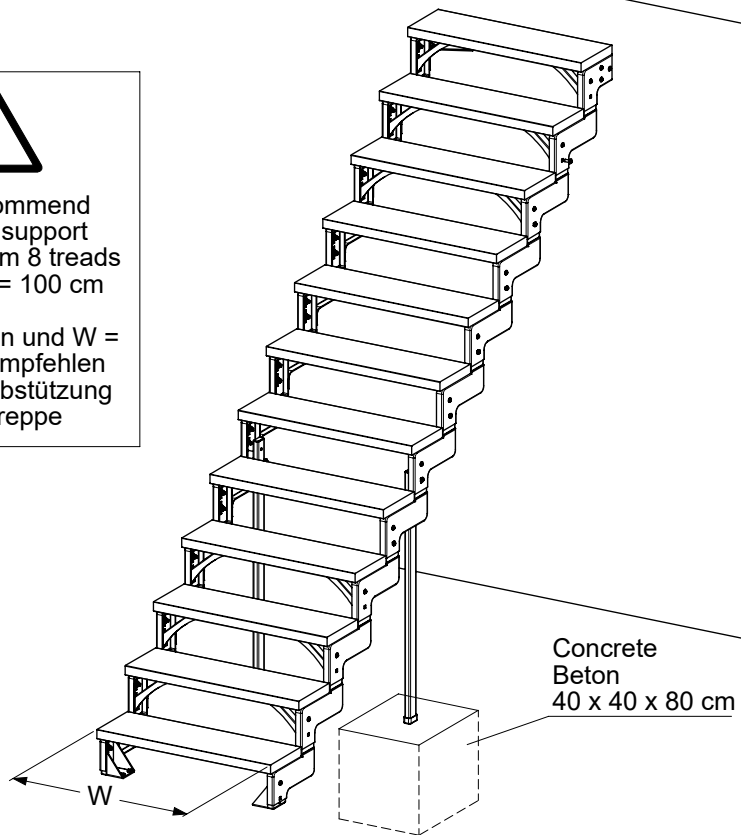
24





We recommend  
using a support  
column from 8 treads  
and if  $W = 100$  cm

Ab 8 Stufen und  $W =$   
100 cm empfehlen  
wir eine Abstützung  
der Treppe



Concrete  
Beton  
40 x 40 x 80 cm