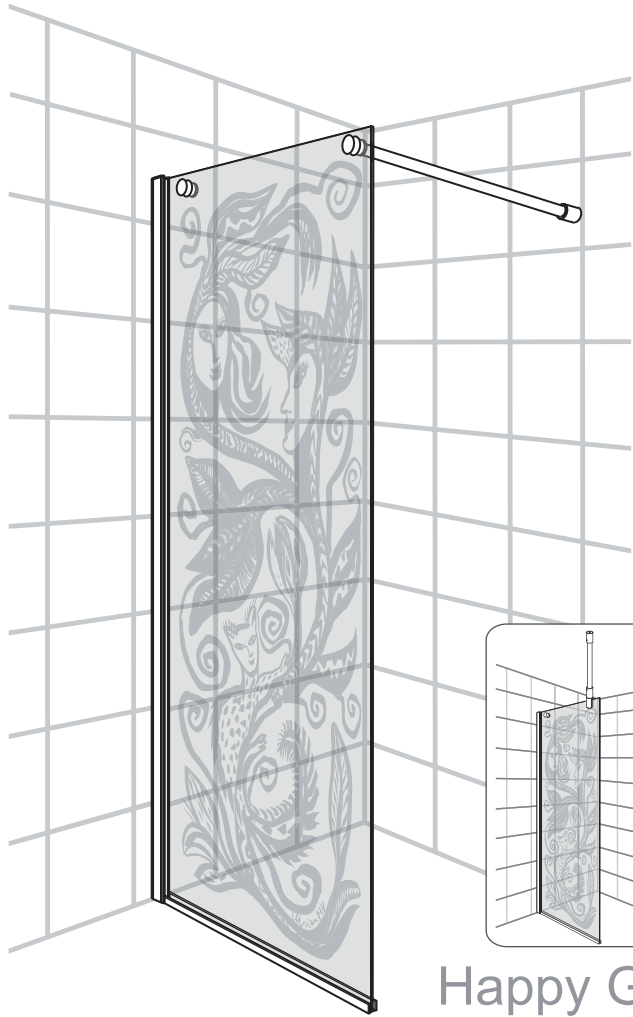
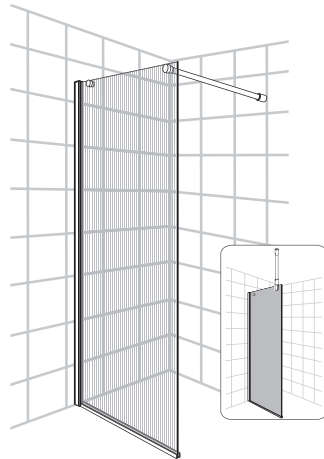
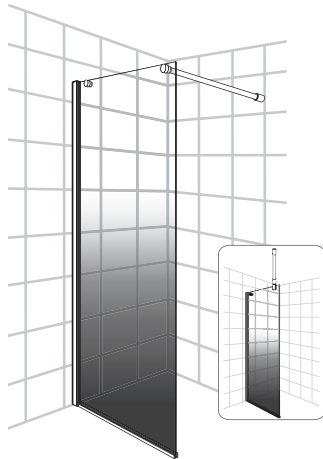
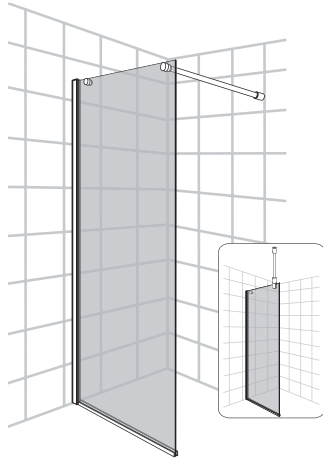
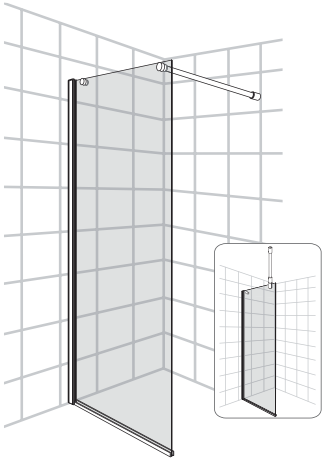


NORO®









Happy Going

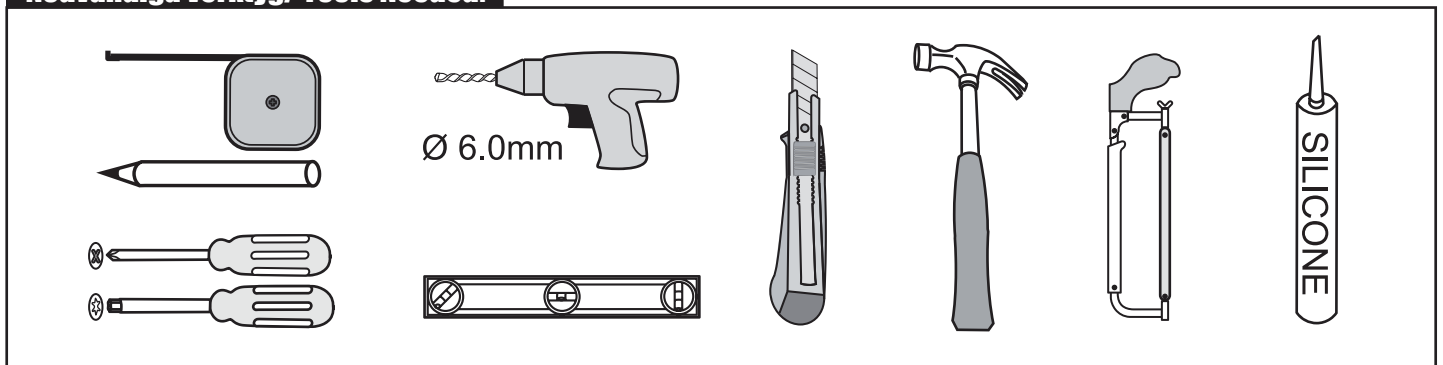


FROST DV

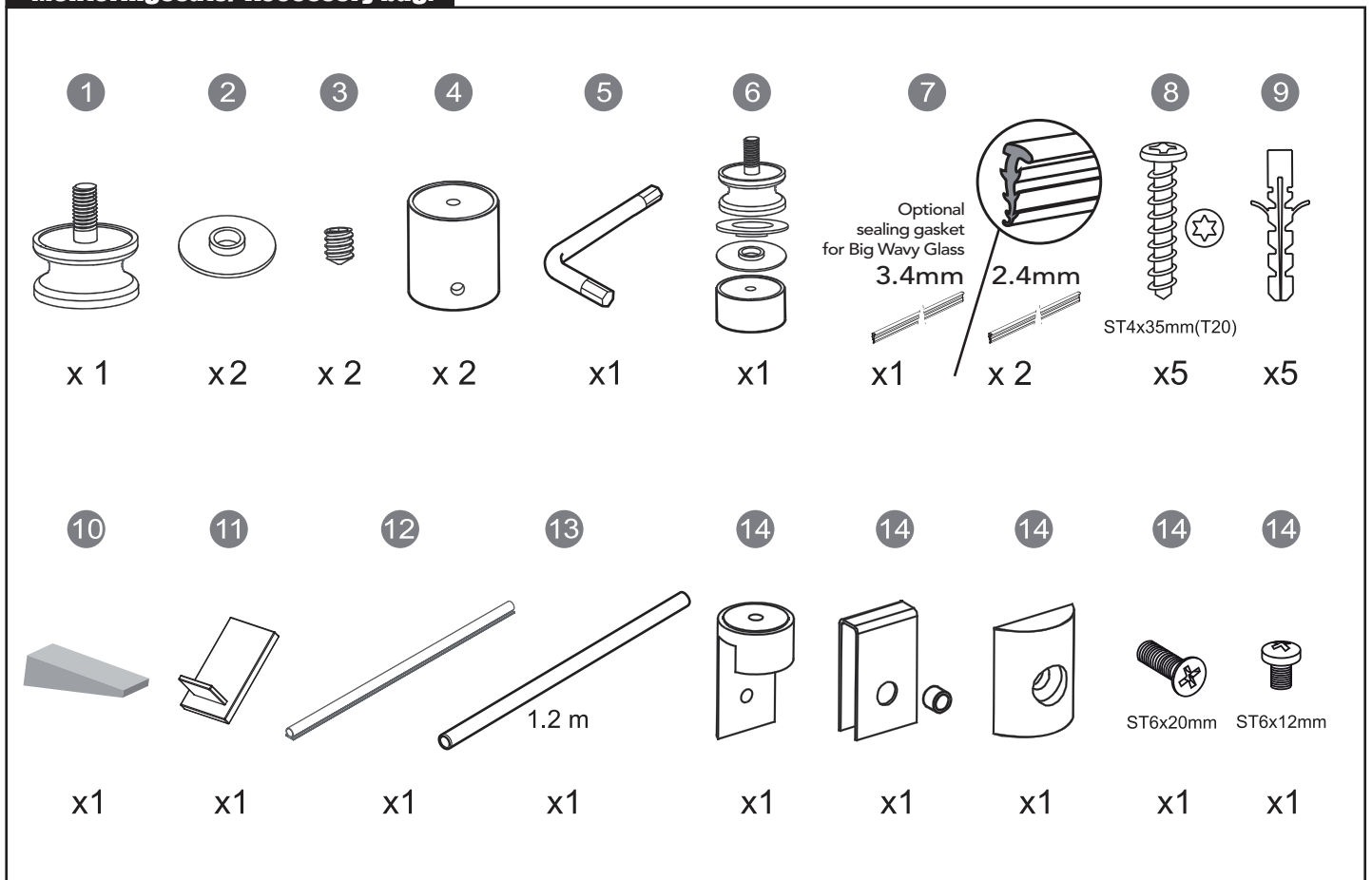
Komma igång/ Getting started:

 <p>EN14428</p>	<p>This product fulfils the EN14428 standard</p>		<p>Goggles are recommended to protect the eyes</p>
 <p>EN12150</p>	<p>All glass used are tempered security glass</p>		<p>Caution: Always Handle Glass With Care! Always protect the edges and corners of the glass when assembling.</p>
	<p>2 people are recommended to assemble this shower enclosure</p>		<p>Gloves are recommended to prevent slippery on glass</p>

Nödvändiga verktyg/ Tools Needed:

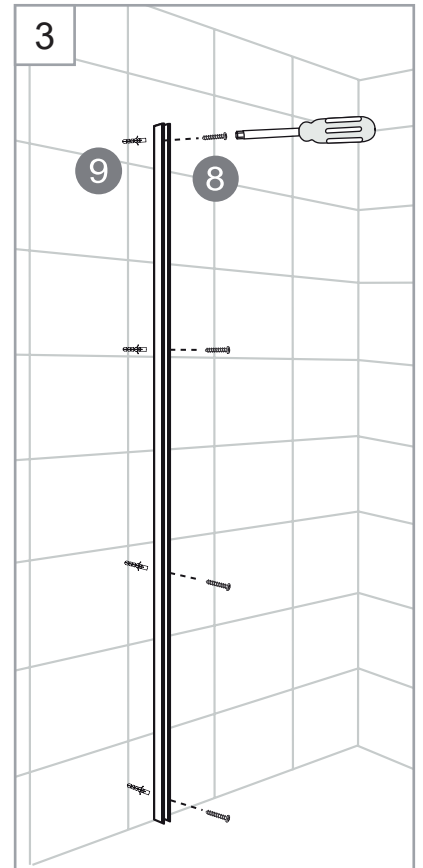
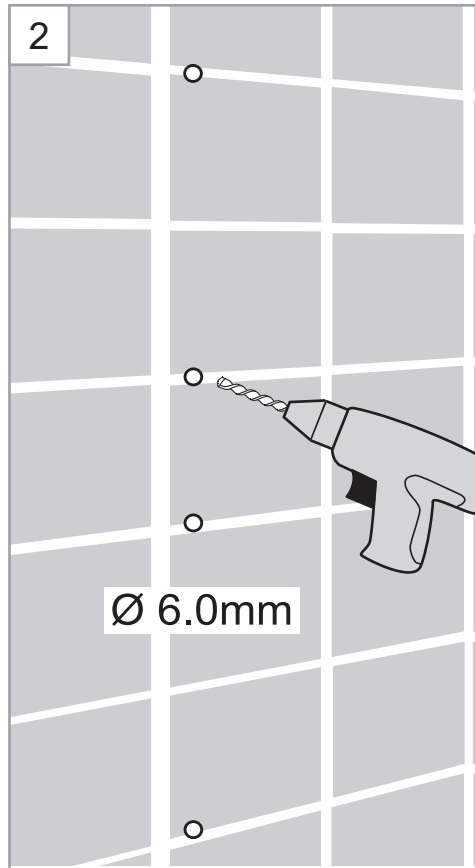
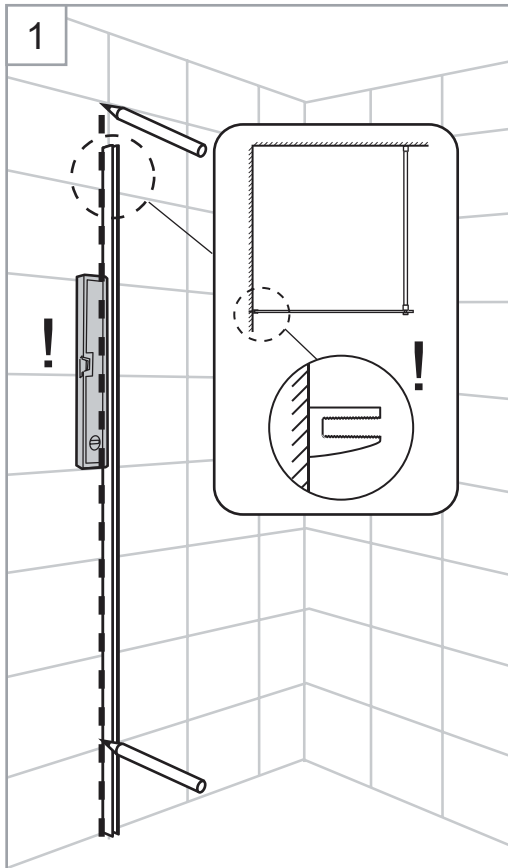
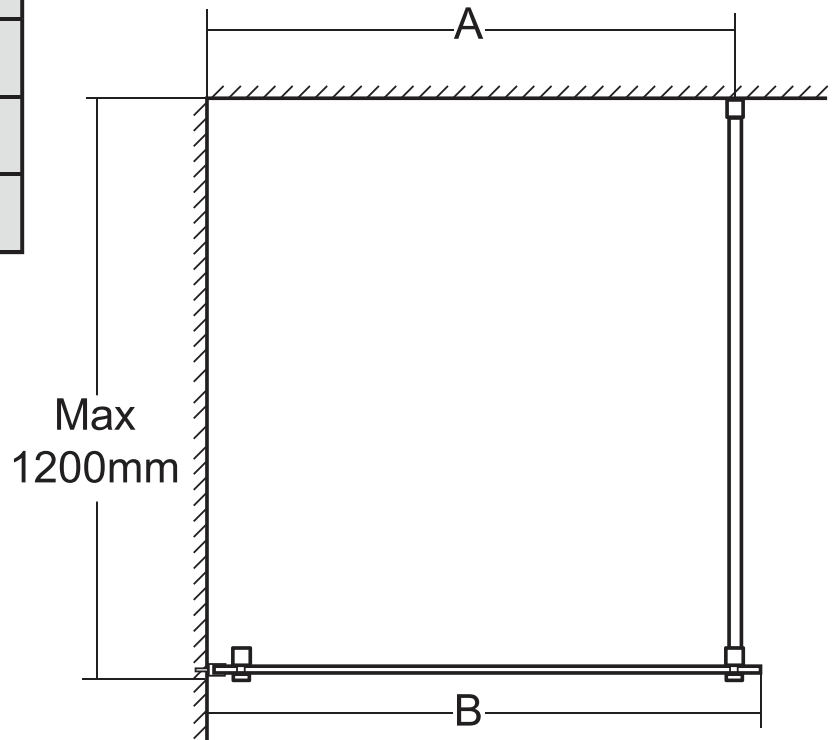
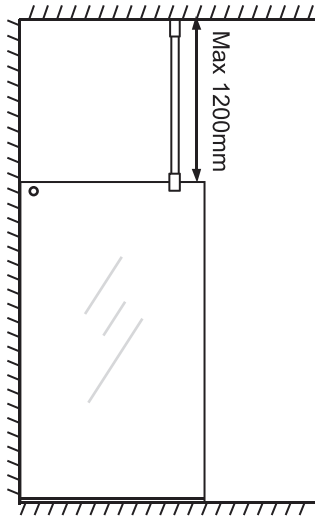


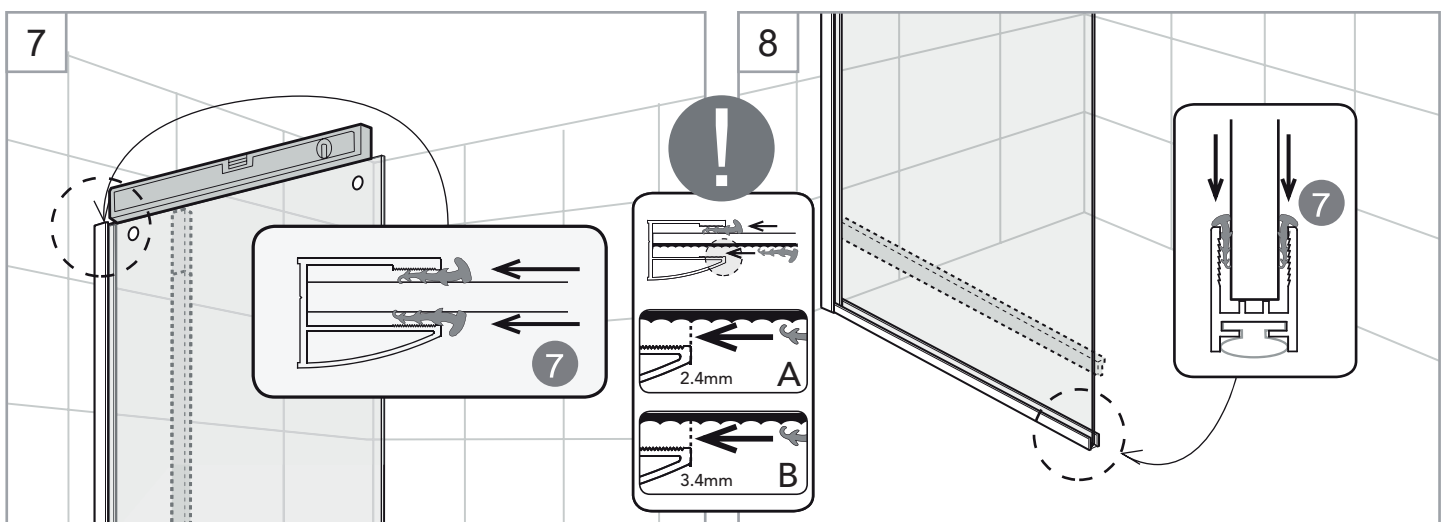
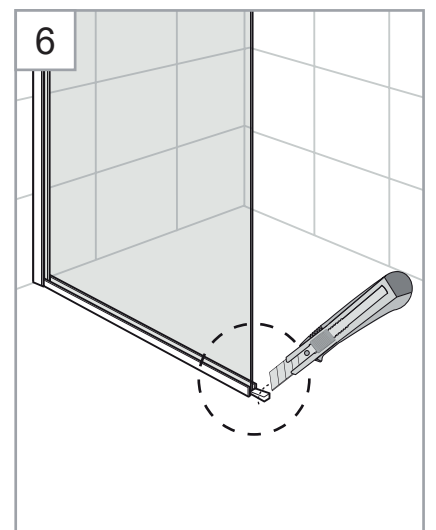
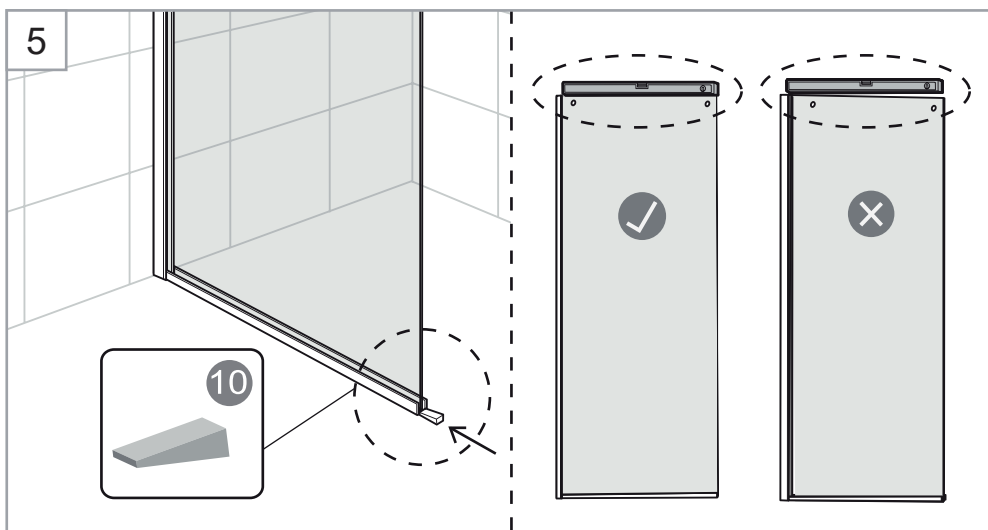
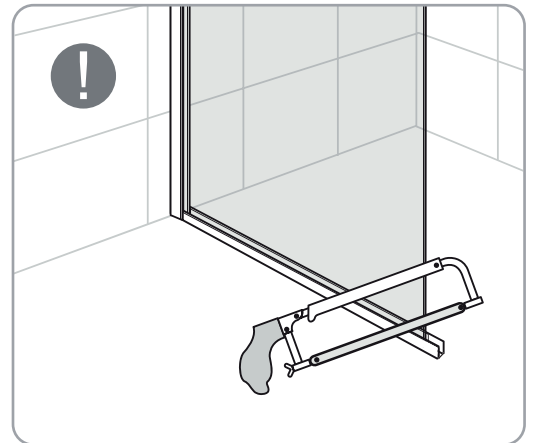
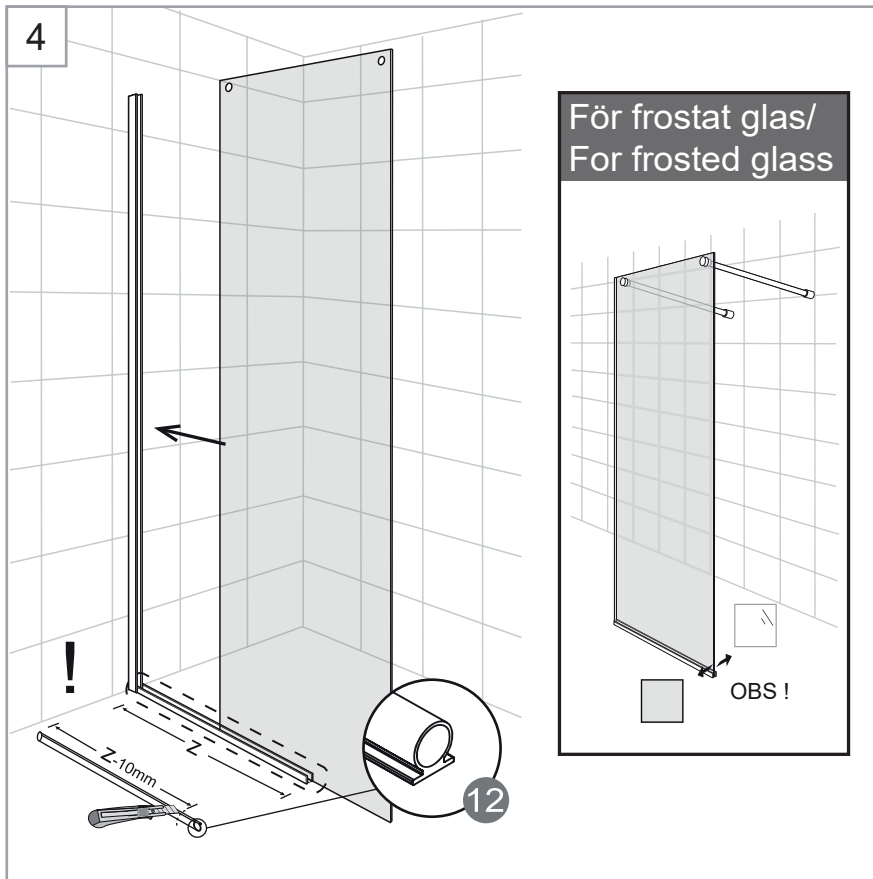
Monteringsats/ Accessory bag:



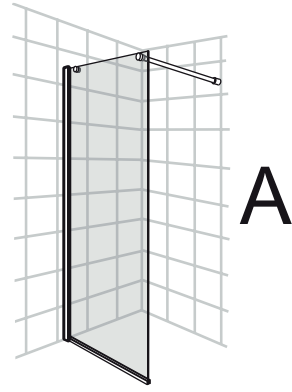
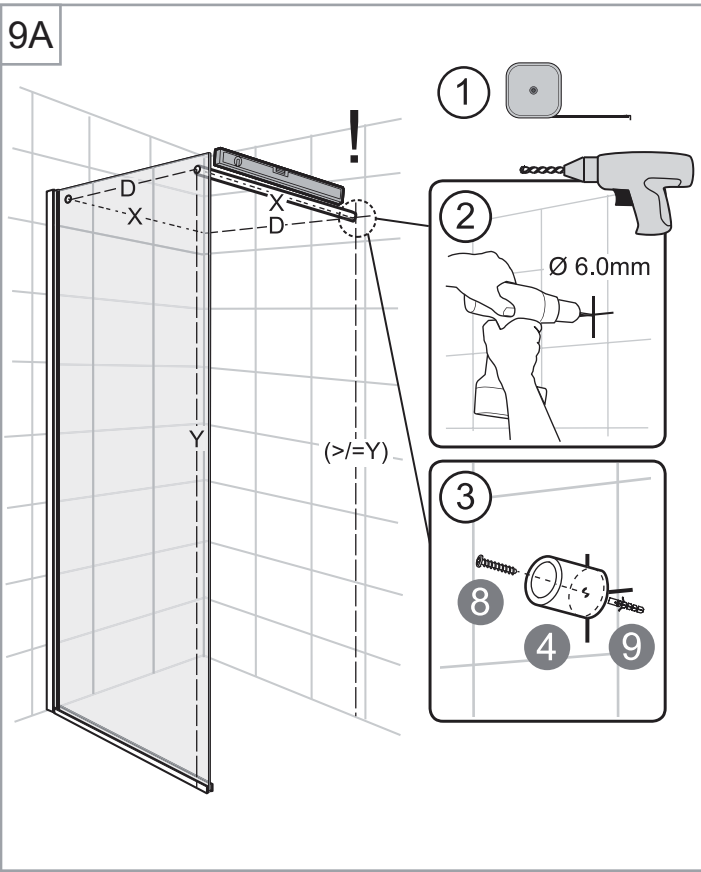
Måttskiss/ Measurement:

Model	A	B
70	651mm	700mm
80	751mm	800mm
90	851mm	900mm

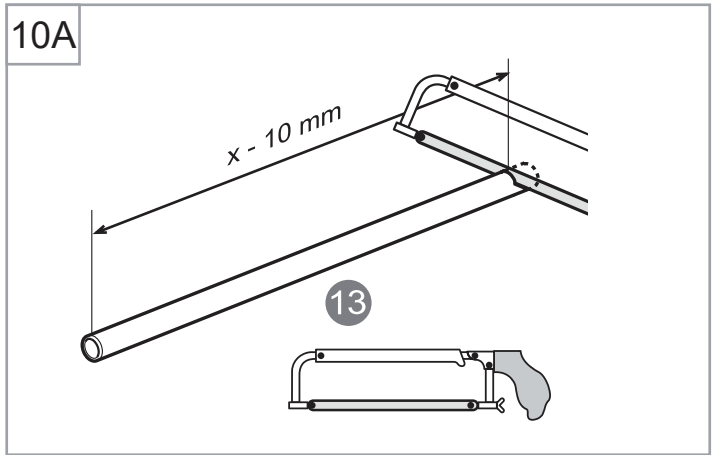




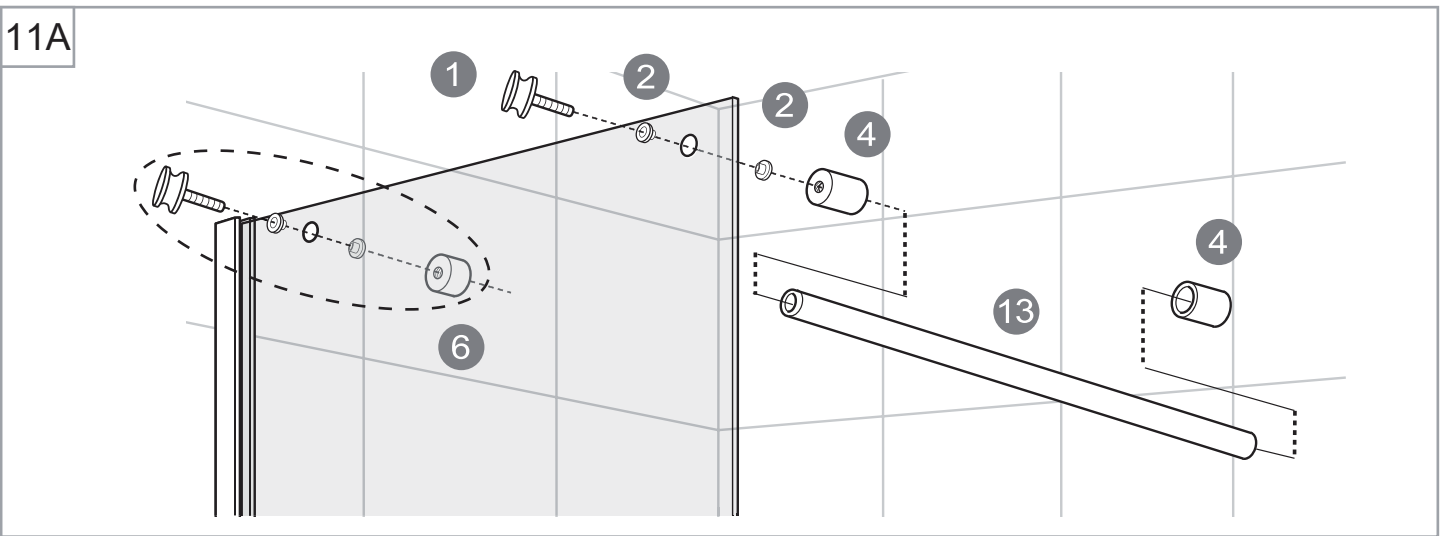
9A



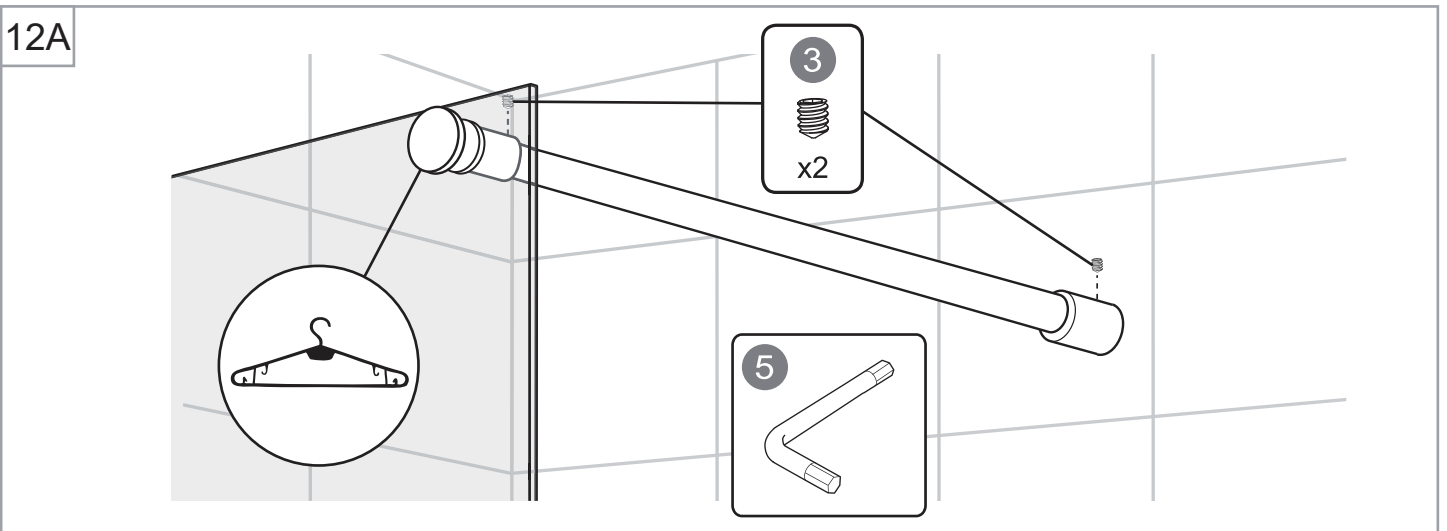
10A



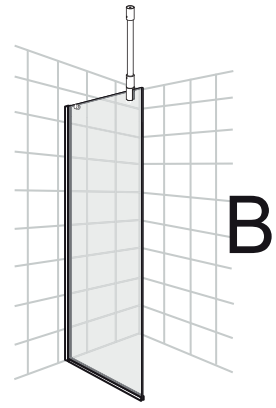
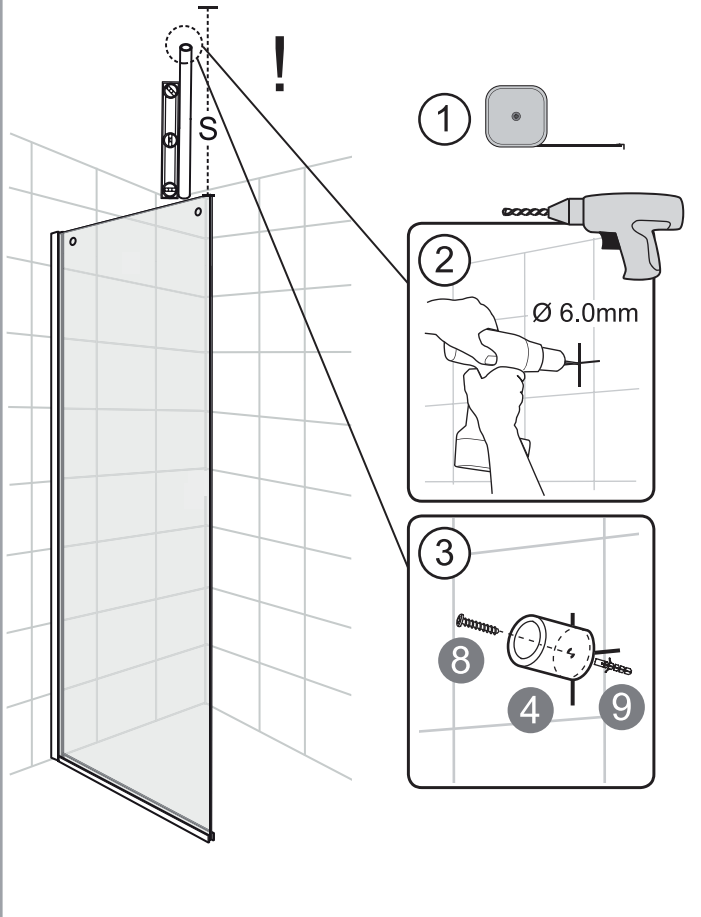
11A



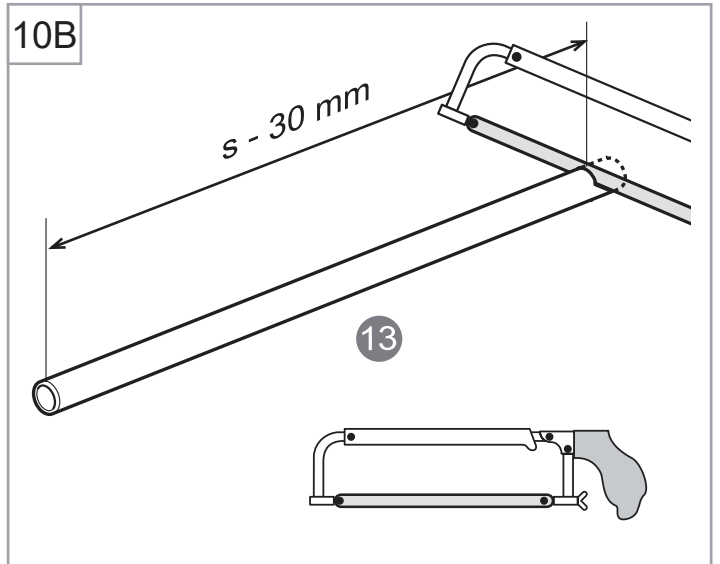
12A



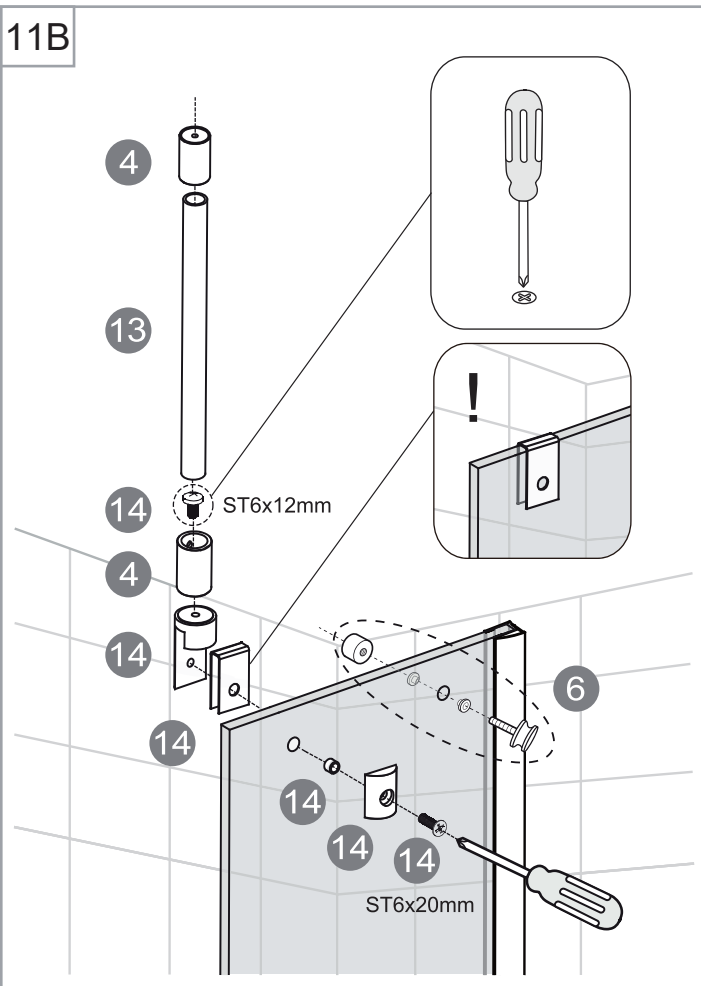
9B



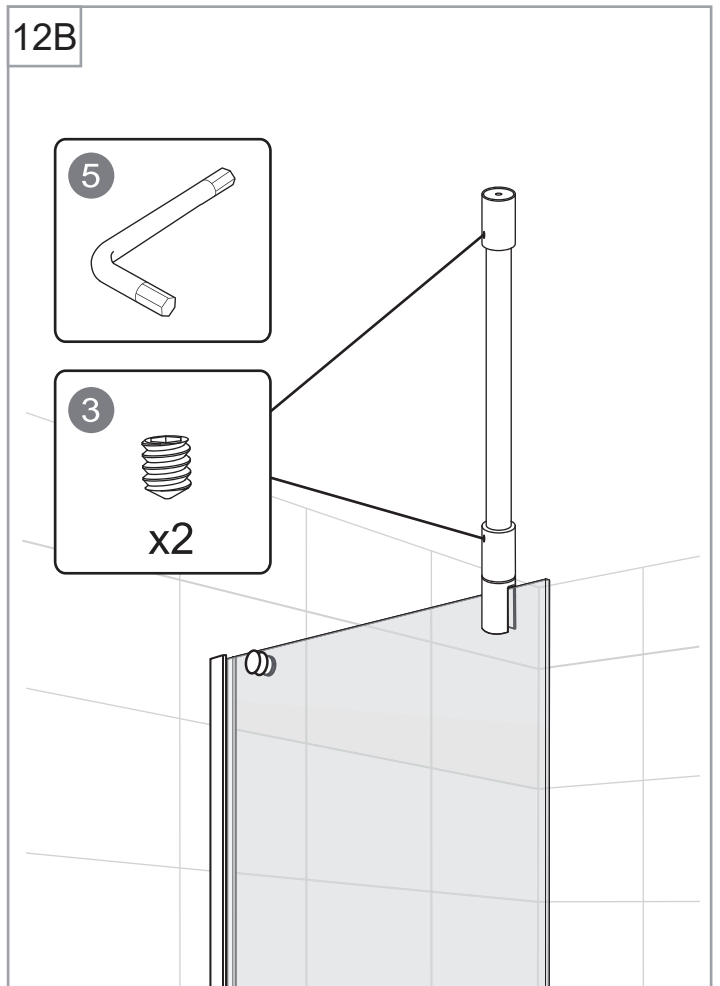
10B

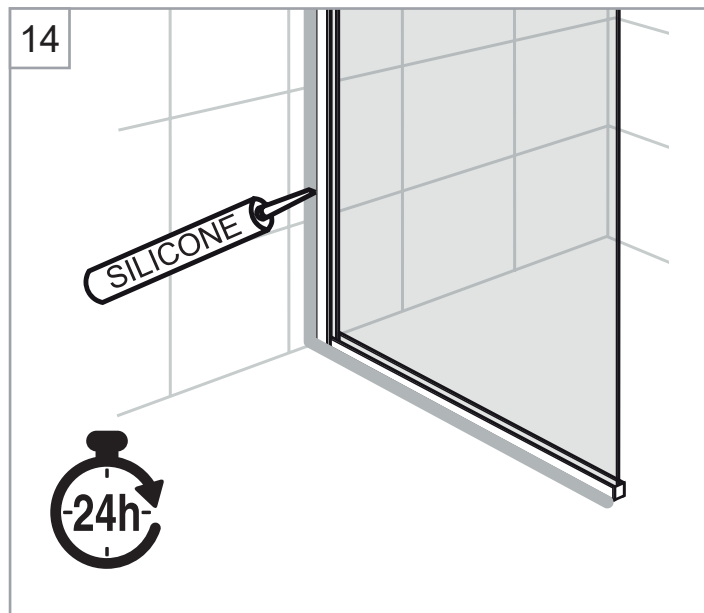
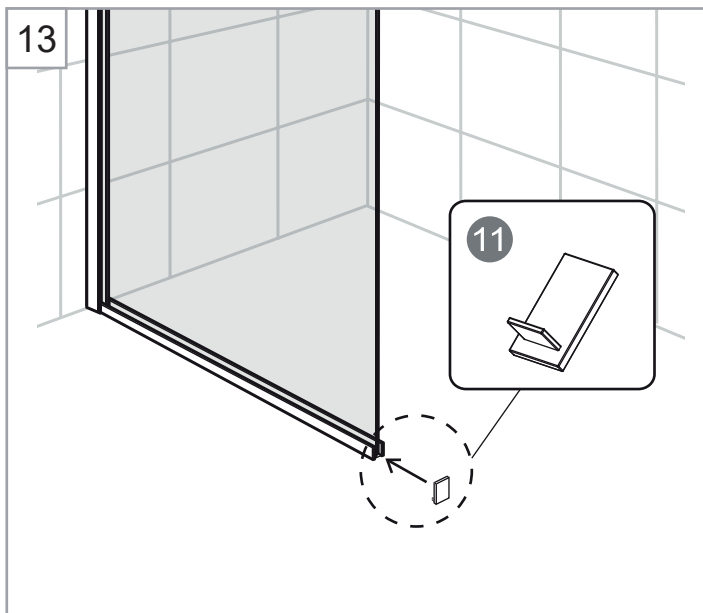


11B

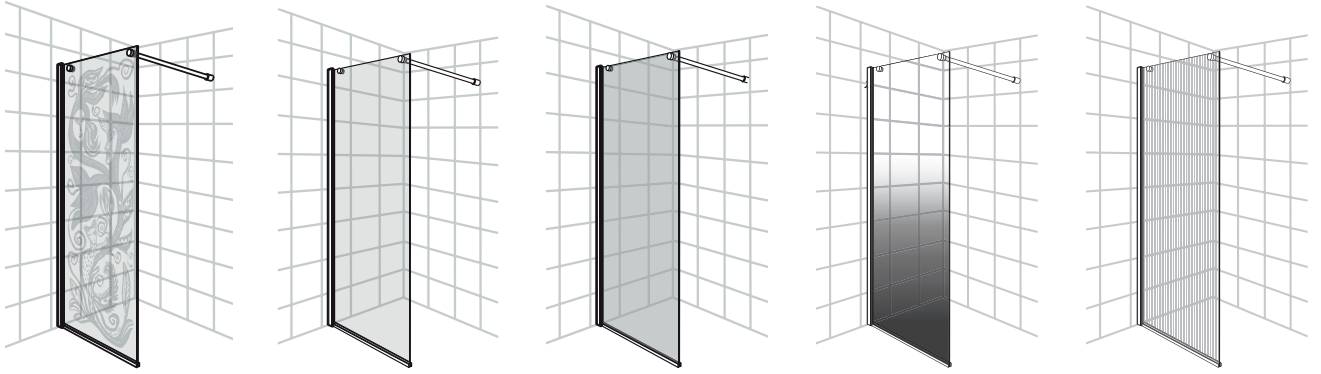


12B

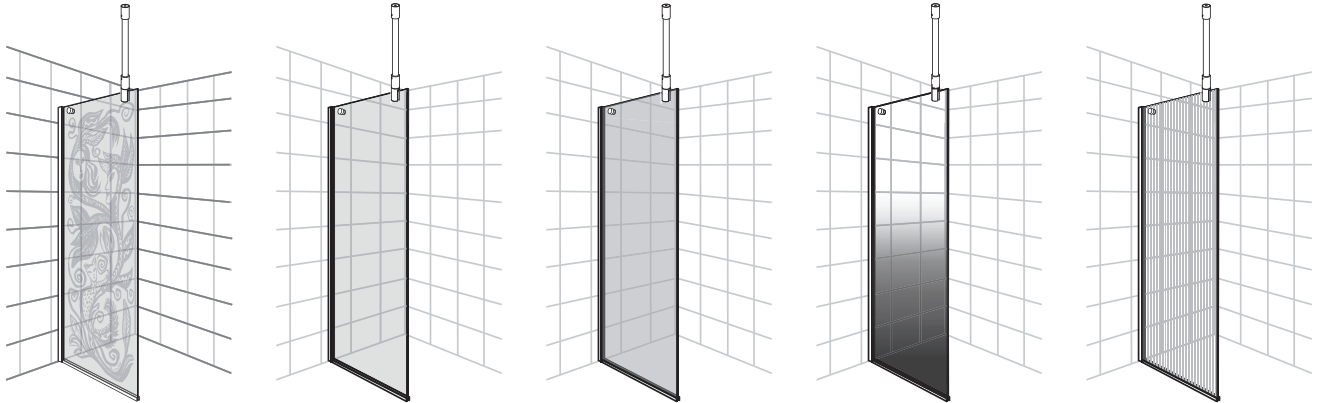




A



B



FROST DV

035 166430 **SE**
info@noro.se

020 7435740 **FI**
info@norokylpyhuone.fi

216 28860 **NO**
info@noro.se

702 52822 **DK**
info@noro.dk