

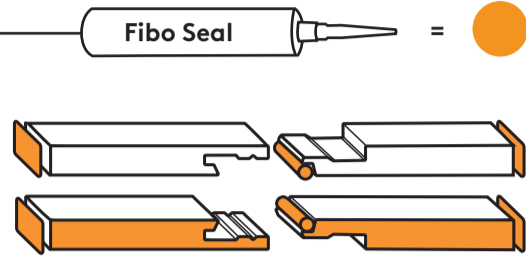
Installation North America only



Installation videos at fibosystemusa.com

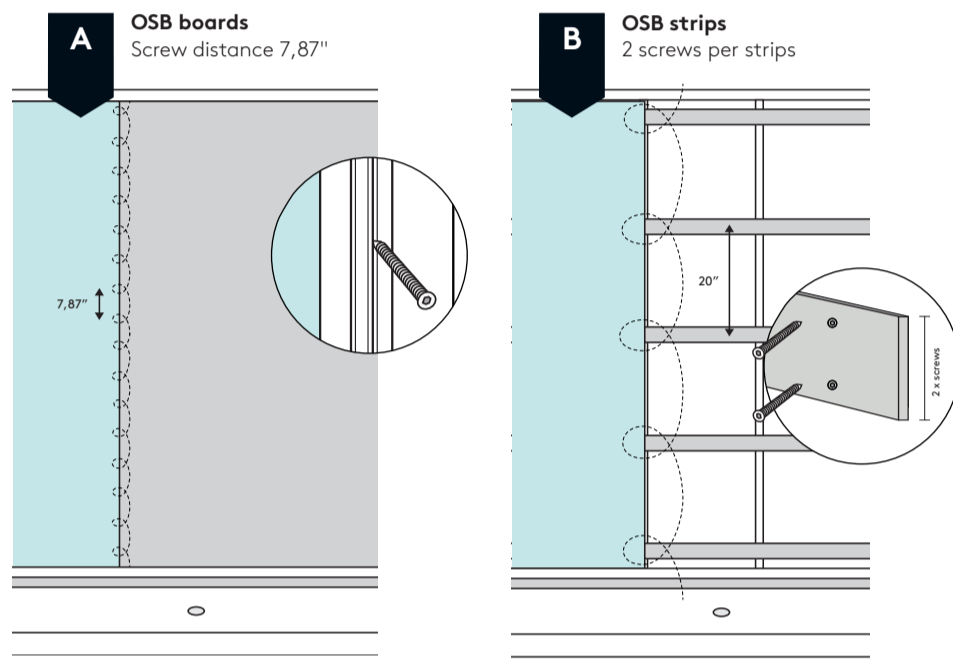
HOW TO SEAL FIBO WALL PANELS

For watertight system, apply Fibo Seal as shown beneath. All cutting surfaces must be sealed, also when drilling holes for pipe penetration. Incorrect installation will void your warranty. Use Fibo Clean and Fibo Wipes to remove excessive sealant. Film from cleaning accessories shall be removed immediately from the panels.



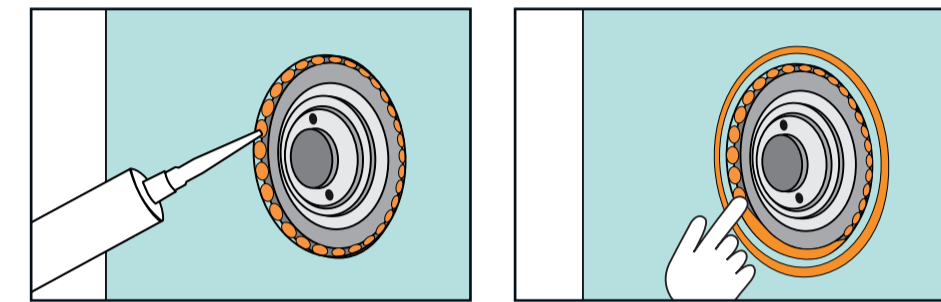
1 CHOOSE PREFERRED BACKWALL

Make sure the backwall is level and the corners are straight 90°. For uneven walls we recommend using OSB Strips and if necessary extra shims to even out.

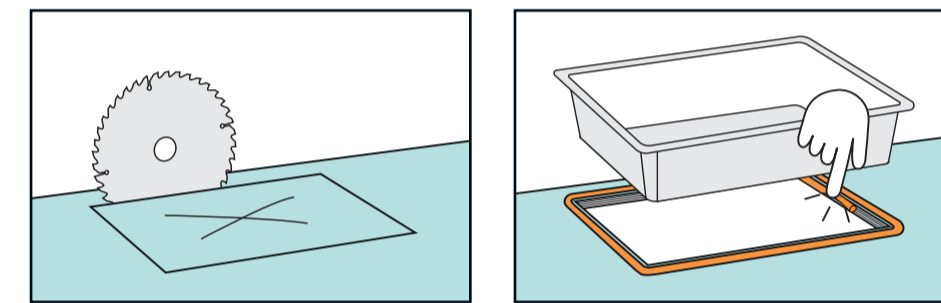


2 NICHES AND FAUCETS

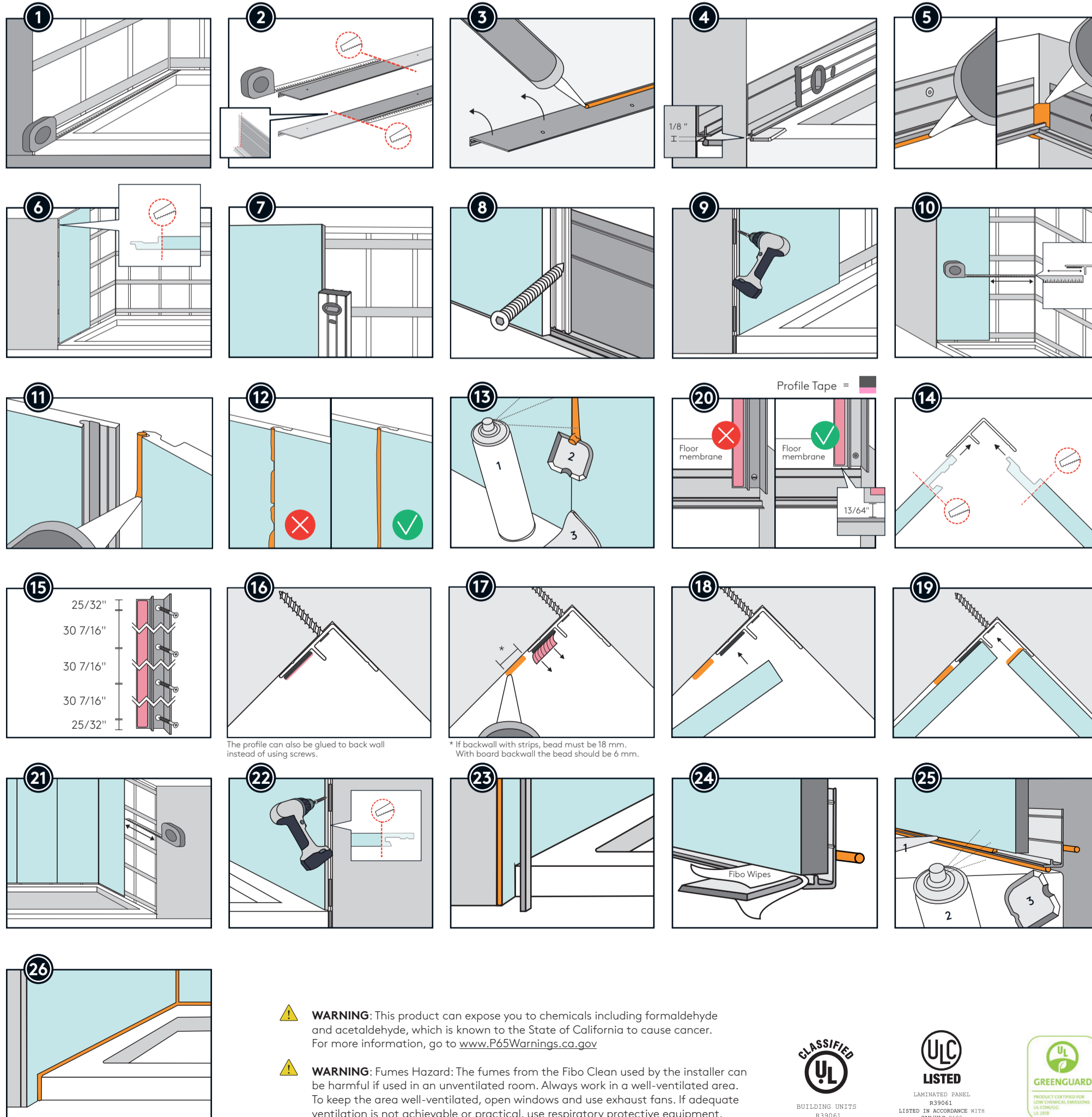
Faucet



Niche



3 ALCOVE - STANDARD WALLPANEL



WARNING: This product can expose you to chemicals including formaldehyde and acetaldehyde, which is known to the State of California to cause cancer. For more information, go to www.P65Warnings.ca.gov

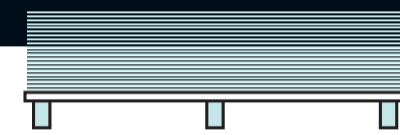
WARNING: Fumes Hazard: The fumes from the Fibo Clean used by the installer can be harmful if used in an unventilated room. Always work in a well-ventilated area. To keep the area well-ventilated, open windows and use exhaust fans. If adequate ventilation is not achievable or practical, use respiratory protective equipment.



Fibo

Wall panel Veggpanel

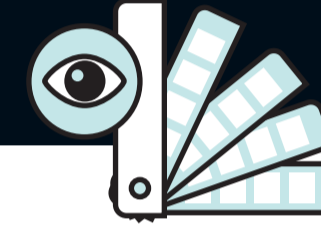
READ BEFORE OPENING PACKAGE!



Storage | Lagring
Keep panels stored flat in package until installation.
Lagre panelene liggende i emballasje frem til montering.



72 hours | 72 timer
Store panels in package in room conditions for at least 72 hour acclimation (longer if they have been kept in a cold area).
Akklimer emballerte paneler i romforhold i minst 72 timer (mer hvis de har vært på kaldt lager).



Visual control | Visuell kontroll
Colourmatch and check for flaws before installation.
Kontroller farge og sjekk for andre feil før montering.



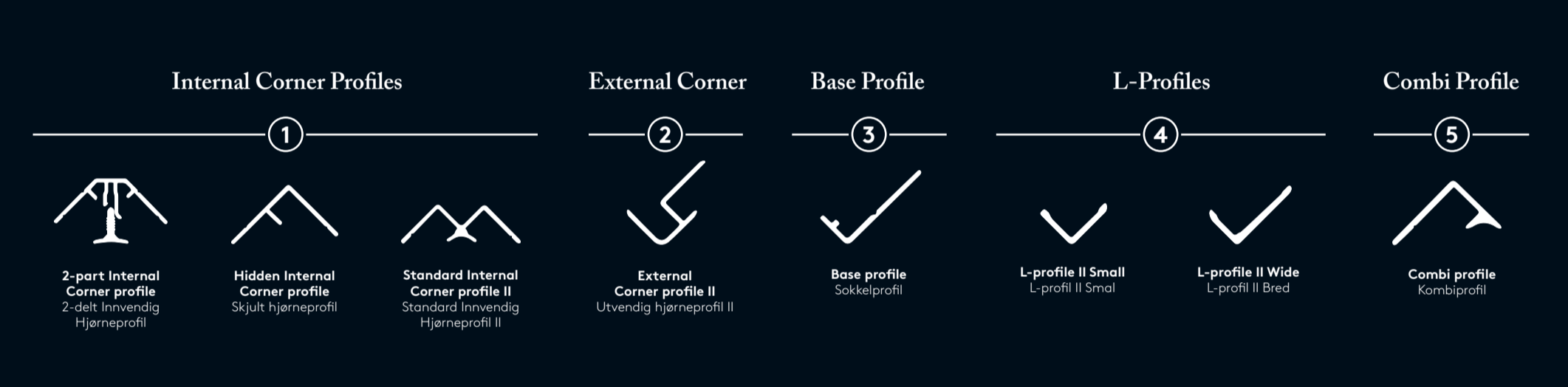
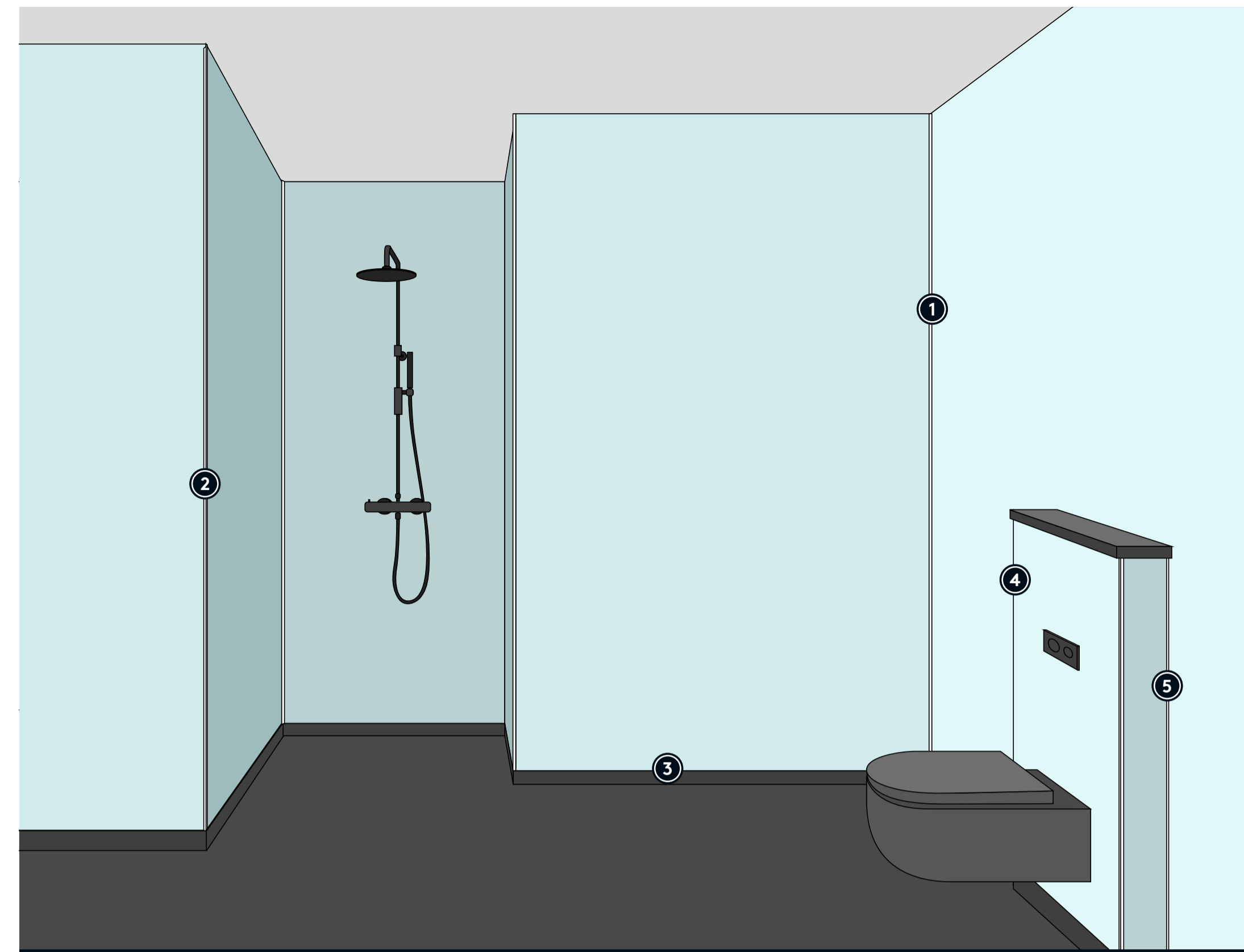
The smart way to transform your wall

To ensure that your walls are durable enough to last decades, Fibo wall panels are made from a seven layer marine plywood core layered between a backing laminate and a decorative high pressure laminate surface that is easy to clean and maintain. Fibo Aqualock makes the installation easy and provide a consistent result.

For å sikre holdbarhet på dine vegger i flere tiår, er Fibo veggpanel produsert med 7-lags bjørkefinér kjerne mellom balanselaminat i bakkant og et dekorativt høytrykkslaminat i front og som er enkelt å rengjøre og vedlikeholde. Fibo Aqualock gir enkel montering og et varig resultat.



Inspiration and installation videos at fibosystem.com /E-mail: info@fibosystem.com
Inspirasjon og monteringsfilmer på fibo.no



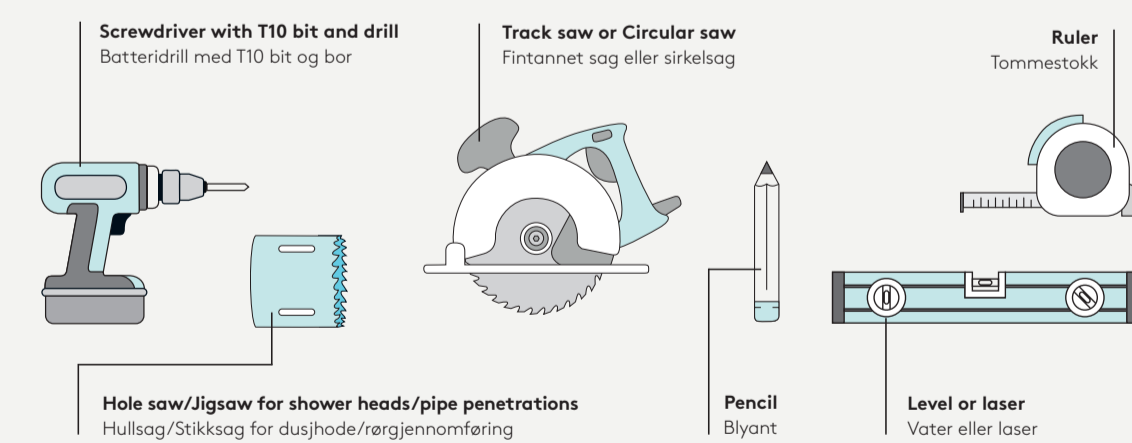
Fibo replaces vapor barrier when all joints are sealed.

Fibo erstatter dampsperre på yttervegg når alle overganger er forseglet.

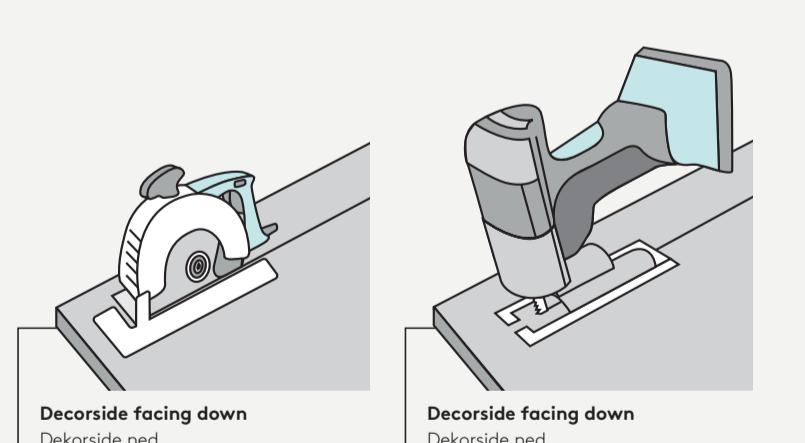
FIBO ACCESSORIES | FIBO TILBEHØR



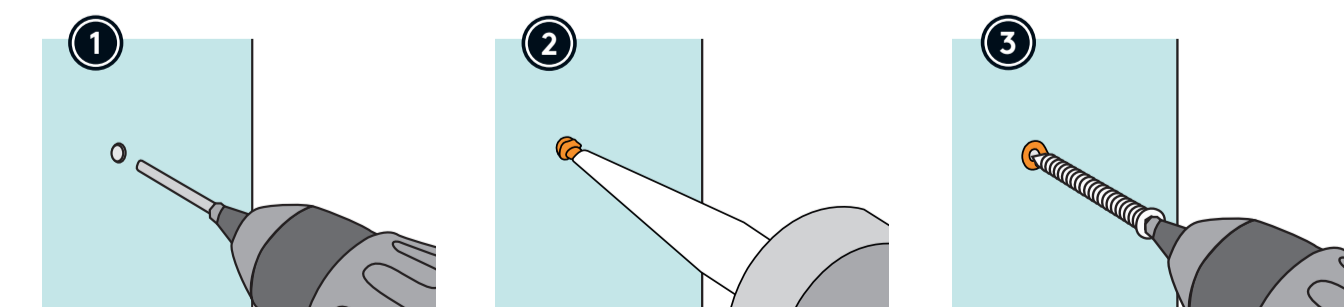
TOOLS YOU NEED | VERKTØY DU TRENGER



CUTTING PANELS | KUTTING AV PANEL



HOW TO SCREW PANELS | HVORDAN TETTE SKRUEHULL I PANEL



CLEANING & MAINTENANCE | RENGJØRING & VEDLIKEHOLD

For daily cleaning use alkaline - neutral detergent with pH value 7-9 and lukewarm water. In general, for pH above 4 and below 9 the profiles will not corrode. White lacquered profiles can also withstand pH10. For removal of soap and skin fat use more "acid" detergent with pH 4-5 such as spray products for bathrooms or chlorine bleach in water. Rinse off with water after max.30 minutes. Specially sealant in base profile and hidden internal corner should be cleaned for soap and skin fat frequently if sealant becomes brittle over time or damaged it must be treated immediately. Melamine sponges together with dishwasher soap can be used on stains on structures such as GEM, C and STN.

For daglig rengjøring, bruk alkalisk-neutralt vaskemiddel med pH-verdi 7-9 og lukevarmt vann. Generelt sett, for pH over 4 og under 9, vil ikke profilene korrodere. Hvitt lakkerte profiler tåler også pH10. For fjerning av såpe og hudfett, bruk mer "surt" vaskemiddel med pH 4-5, for eksempel sprayprodukter på bad eller forfettning i vann. Skyll av med vann etter maks. 30 minutter. Spesielt fugemasse i sokkelprofil og skjult innvendig hjørne for fuging bør rengjøres for såpe og hudfett med jevnlighet. Hvis fugemasse blir sprø eller skadet over tid, må den behandles umiddelbart. Melaminsvamp sammen med oppvaskåpe kan brukes på flekker på strukturer som GEM, C og STN.

FIBO ONLINE | FIBO PÅ NETT

- www.fibosystem.com
- www.fibo.no
- www.fibo.se
- www.fibosystemusa.com
- www.fibosystemcanada.com
- www.fibo.co.uk
- www.fibosystem.fi
- www.fibosystem.dk

For more information and warranty conditions. For mer informasjon og garantibetingelser.

Fibo

FOR NORTH AMERICA SEE LAST PAGE!

Installation step 1-6

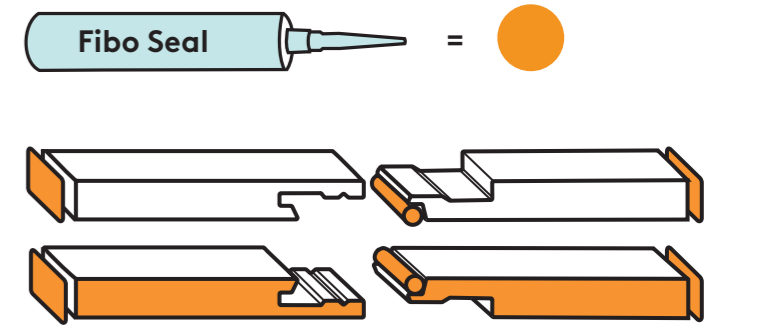
Montering step 1-6

HOW TO SEAL FIBO WALL PANELS

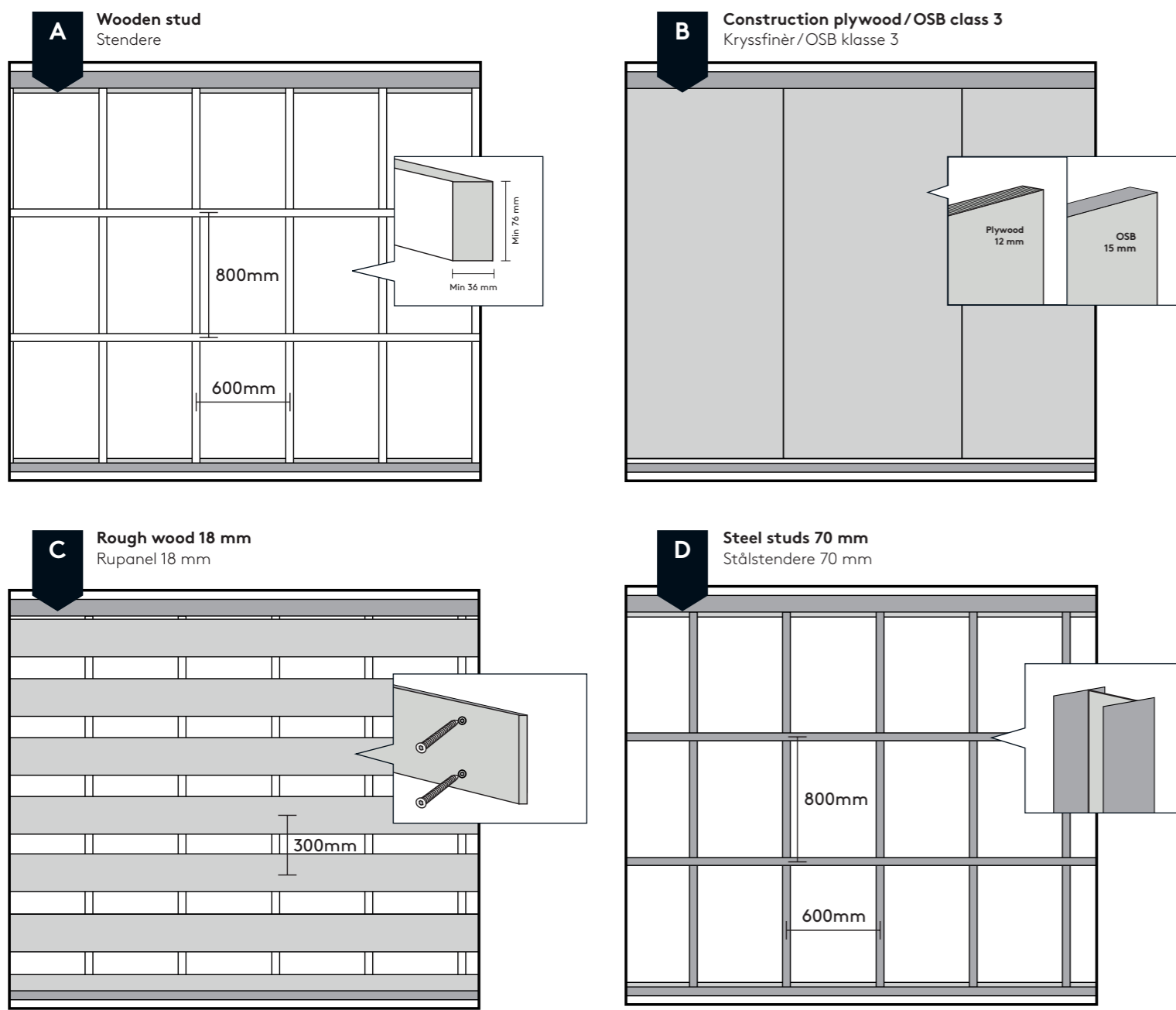
For watertight system, apply Fibo Seal as shown beneath. All cutting surfaces must be sealed, also when drilling holes for pipe penetration. Incorrect installation will void your warranty. Use Fibo Clean and Fibo Wipes to remove excessive sealant. Film from cleaning accessories shall be removed immediately from panel surface.

HVORDAN FUGE FIBO VEGGPANEL

For vanntett system, påfør Fibo Seal som vist under. Alle kuttflater skal forsegles også ved hulltaking til rørgjennomføring. Ved mangelfull montering bortfaller garanti. Bruk Fibo Clean og Fibo Wipes for å fjerne overflødig fugemasse. Film fra rengjøringsstøtter skal fjernes umiddelbart fra panelene.

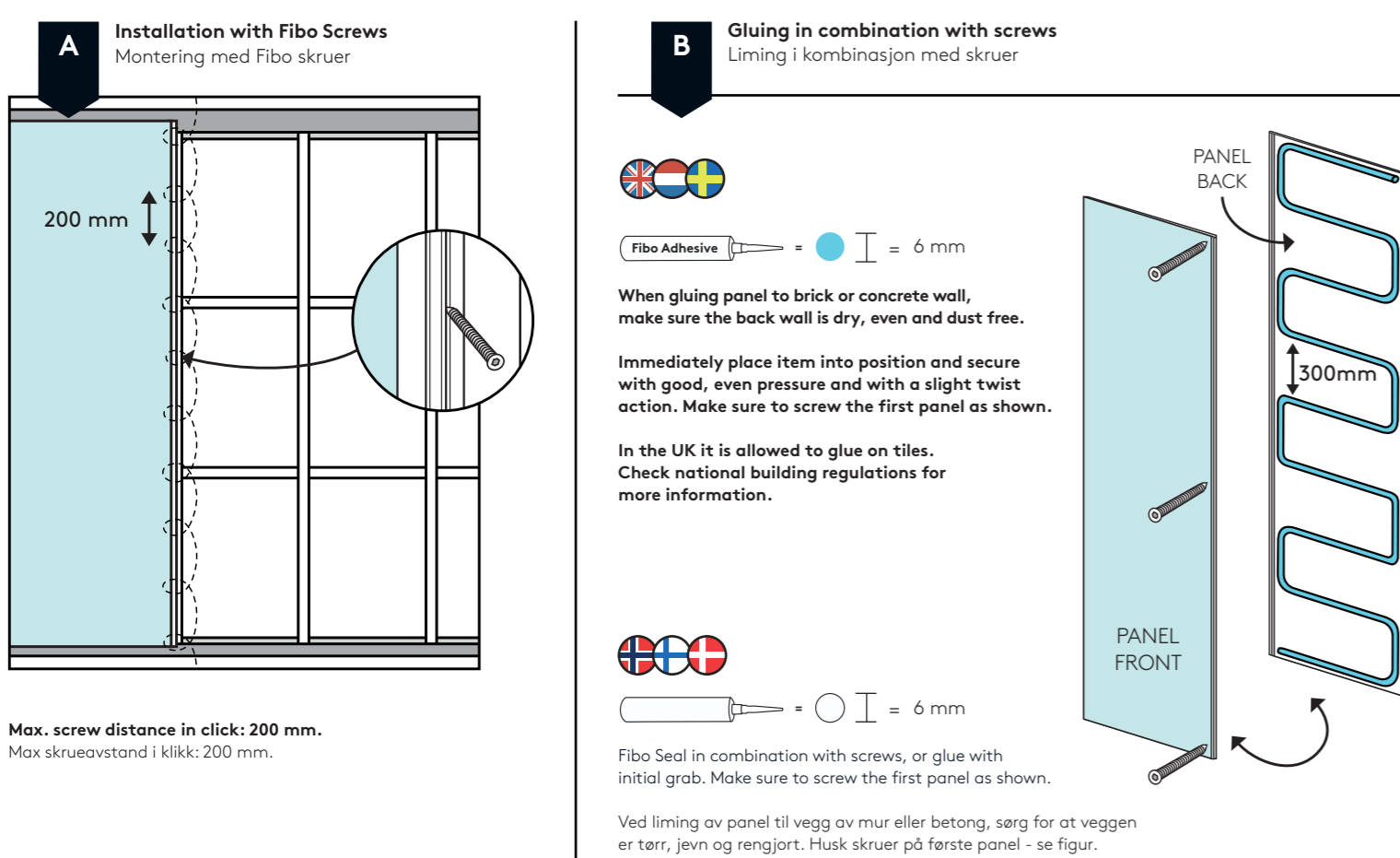


1 BACKWALL OPTIONS * VELG RIKTIG BAKVEGG



* For alternative backwall in selected markets, visit fibosystem.com

2 CHOOSE PANEL FIXING VELG FESTEMETODE FOR PANEL



Max. screw distance in click: 200 mm.
Max skruavstand i klikk: 200 mm.

When gluing panel to brick or concrete wall, make sure the back wall is dry, even and dust free. Immediately place item into position and secure with good, even pressure and with a slight twist action. Make sure to screw the first panel as shown.

In the UK it is allowed to glue on tiles. Check national building regulations for more information.

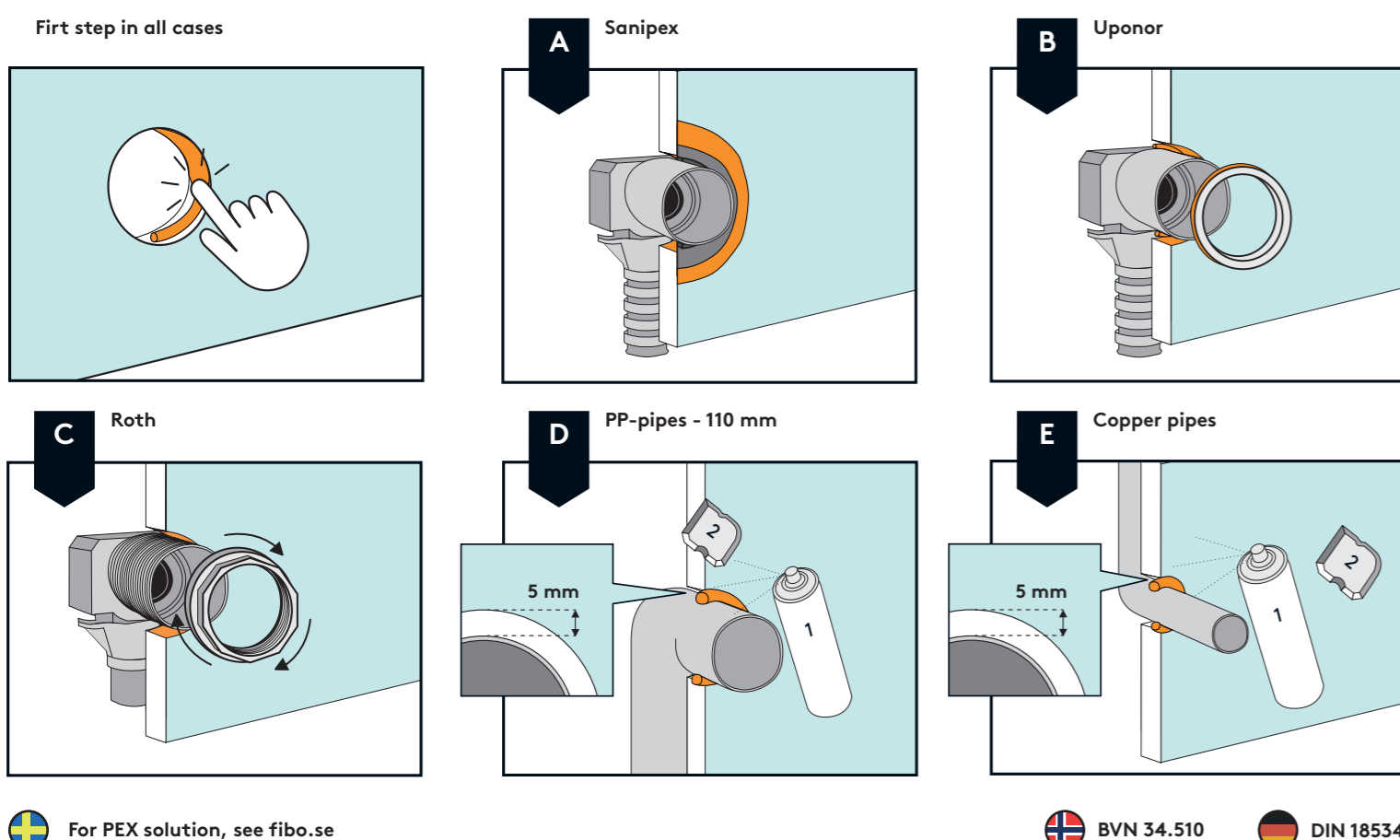
Fibo Seal in combination with screws, or glue with initial grab.

Ved liming av panel til vegg av mur eller betong, sørg for at veggens er tørr, jevn og rengjort. Husk skruer på første panel - se figur.

3 CHOOSE SOLUTION FOR APERTURES FOR PIPES VELG LØSNING FOR RØRGJENNOMFØRING

Cutting surfaces must be sealed when drilling holes for pipe penetration. For complete installation guidance, follow the wall box producers' instructions. The ones illustrated are ETAG 022 approved systems. Approval for PP- and copper pipes is documented through SINTEF Technical Approval 2289.

Kuttflater skal forsegles ved hulltaking til rørgjennomføring. For fullstendig monterings-anvisning av ETAG 022 godkjente løsninger, følg veggboxs-produzentenes anvisninger. Godkjenning av PP- og kobberør er dokumentert i SINTEF Teknisk Godkjenning 2289.

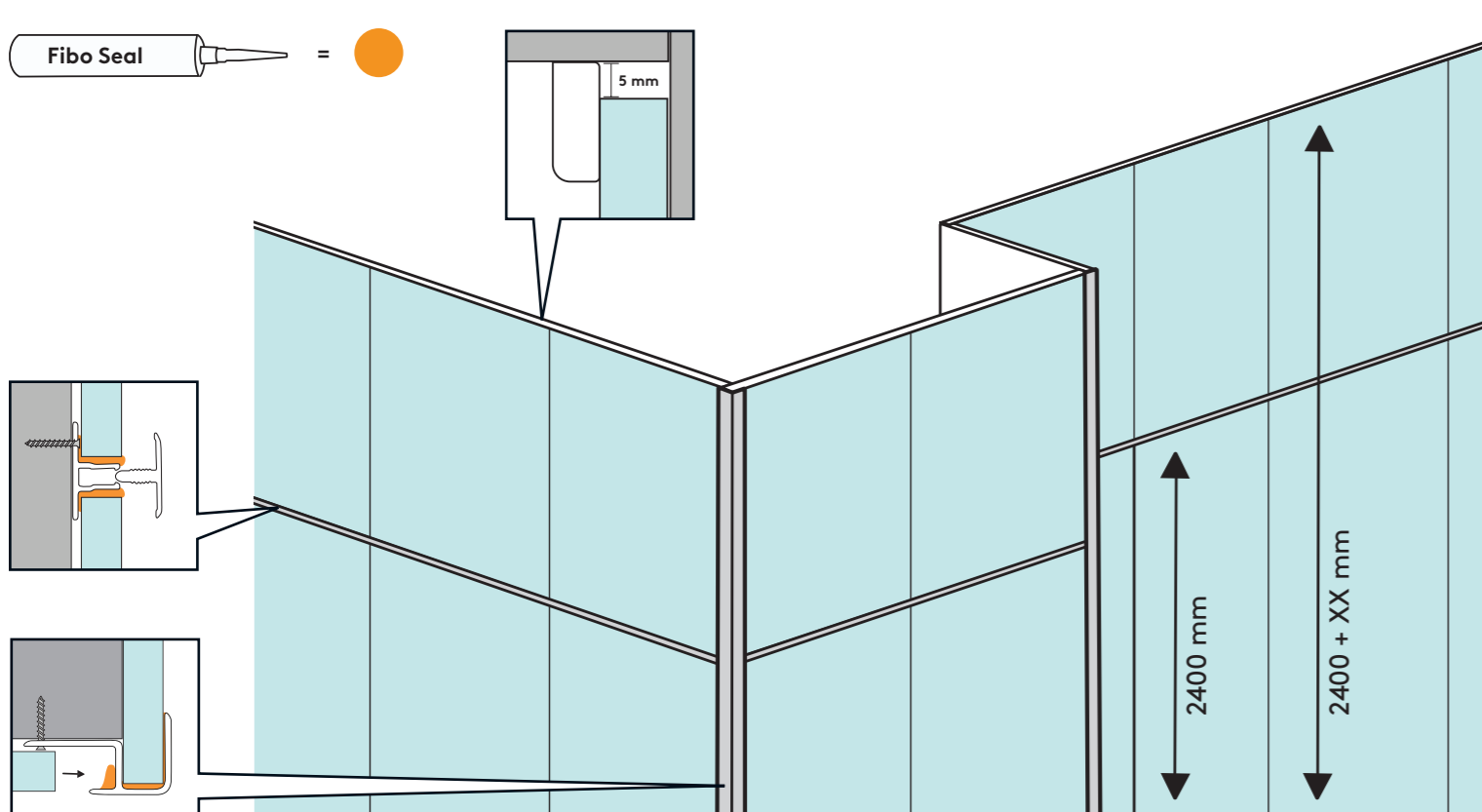


For PEX solution, see fibo.se

BVN 34.510

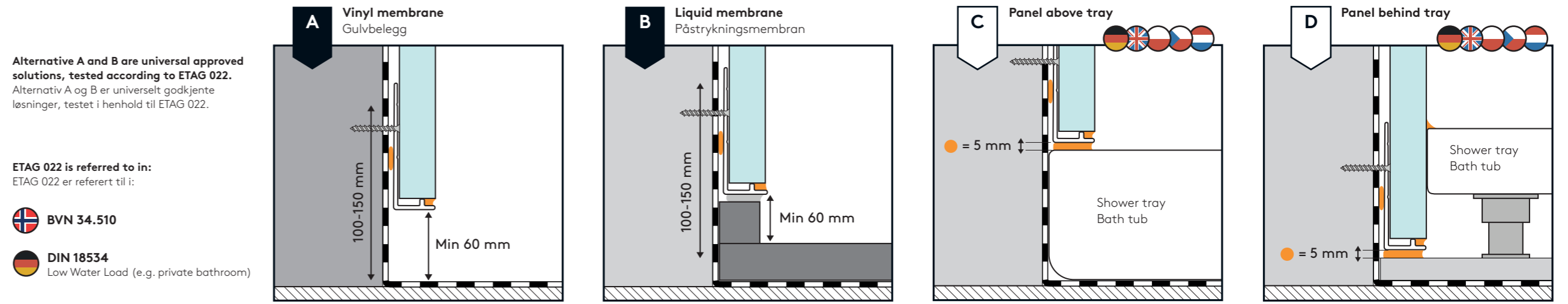
DIN 18534

4 STACKING PROFILE | EXTERNAL CORNER PROFILE | SEALING FINISH * SKJØTEPROFIL | UTVENDIG HJØRNEPROFIL | AVSLUTNING MOT TAK



*Not available in the UK

5 CHOOSE TRANSITION TO FLOOR MEMBRANE AVSLUTNING MOT GULVMEMBRAN



Alternative A and B are universal approved solutions, tested according to ETAG 022. Alternativ A og B er universelt godkjente løsninger, testet i henhold til ETAG 022.

ETAG 022 is referred to in: ETAG 022 er referert til i:

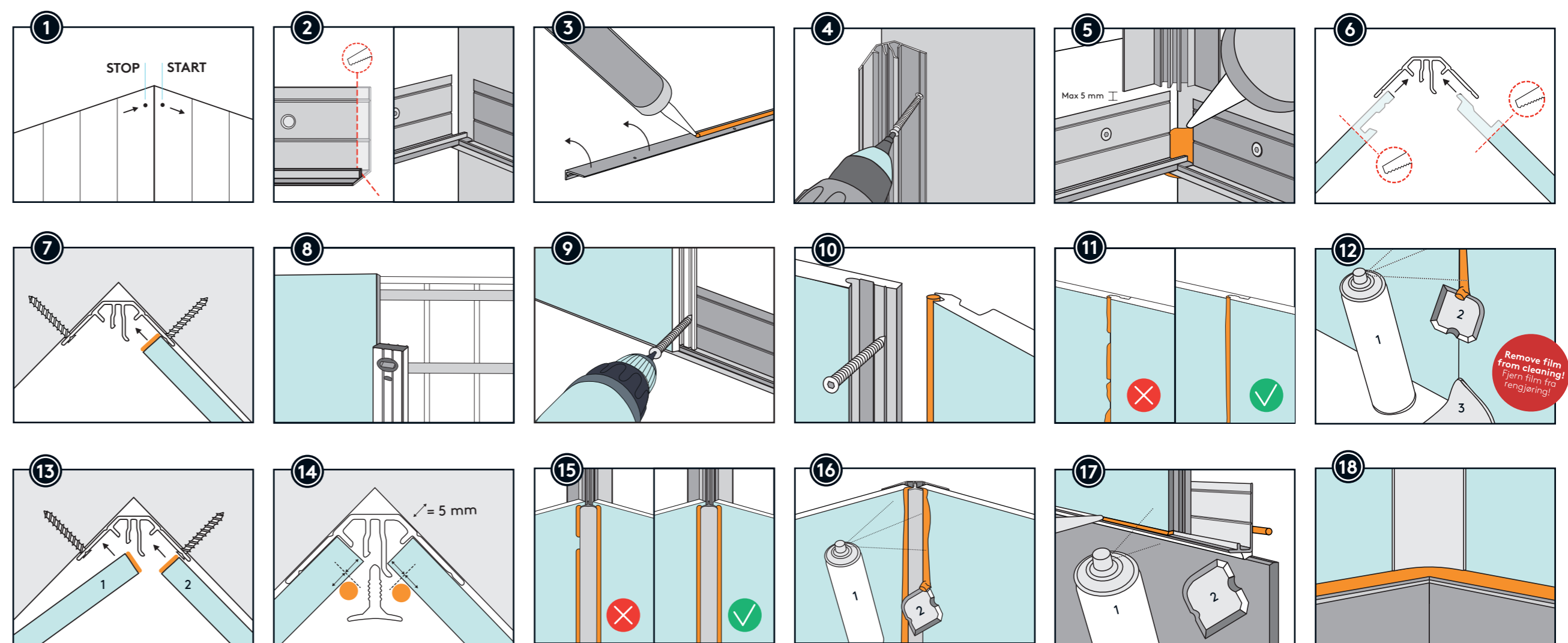
BVN 34.510

DIN 18534 Low Water Load (e.g. private bathroom)

6 CHOOSE PREFERRED CORNER PROFILE A, B OR C VELG HJØRNEPROFIL A, B ELLER C

A 2-PART INTERNAL CORNER PROFILE* 2-DELT INNVEDIG HJØRNEPROFIL

* Not available in the UK

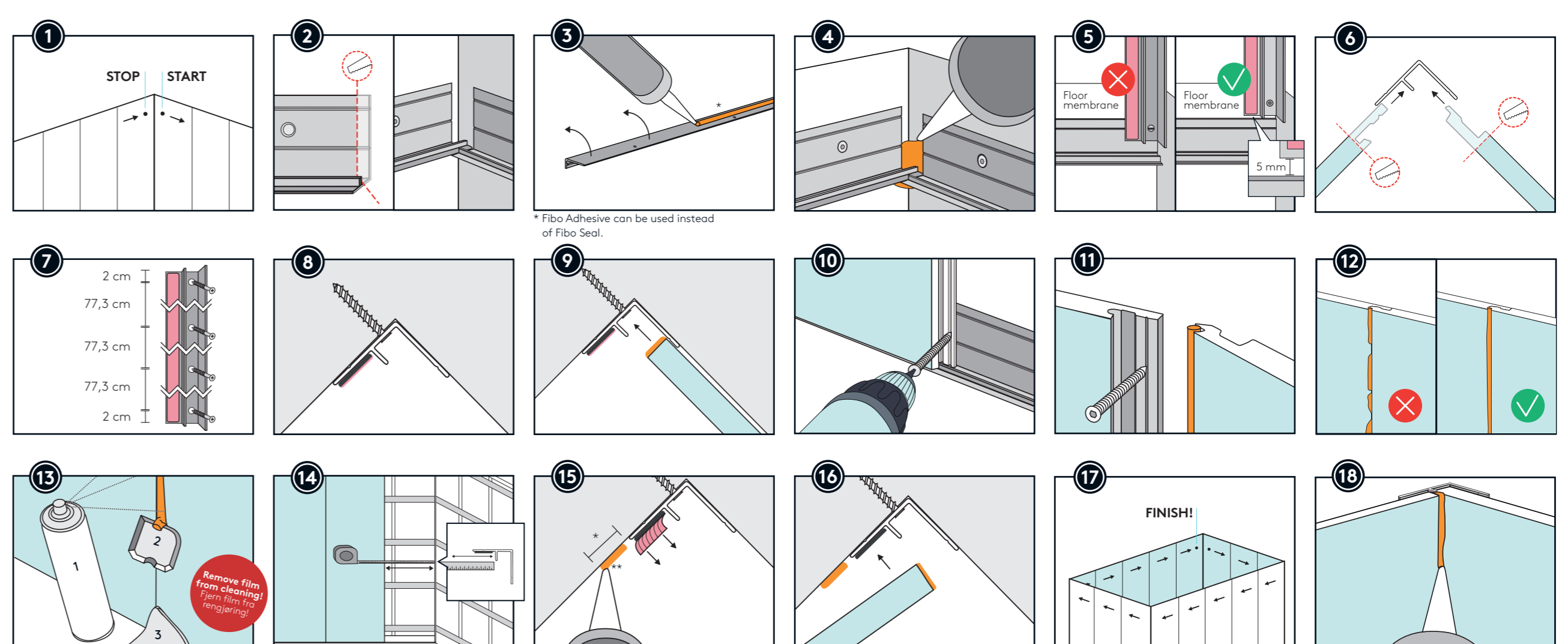


Fibo Seal

Remove film from cleaning accessories!

Do not place corner profile further down than this.

B HIDDEN INTERNAL CORNER PROFILE SKJULT HJØRNEPROFIL



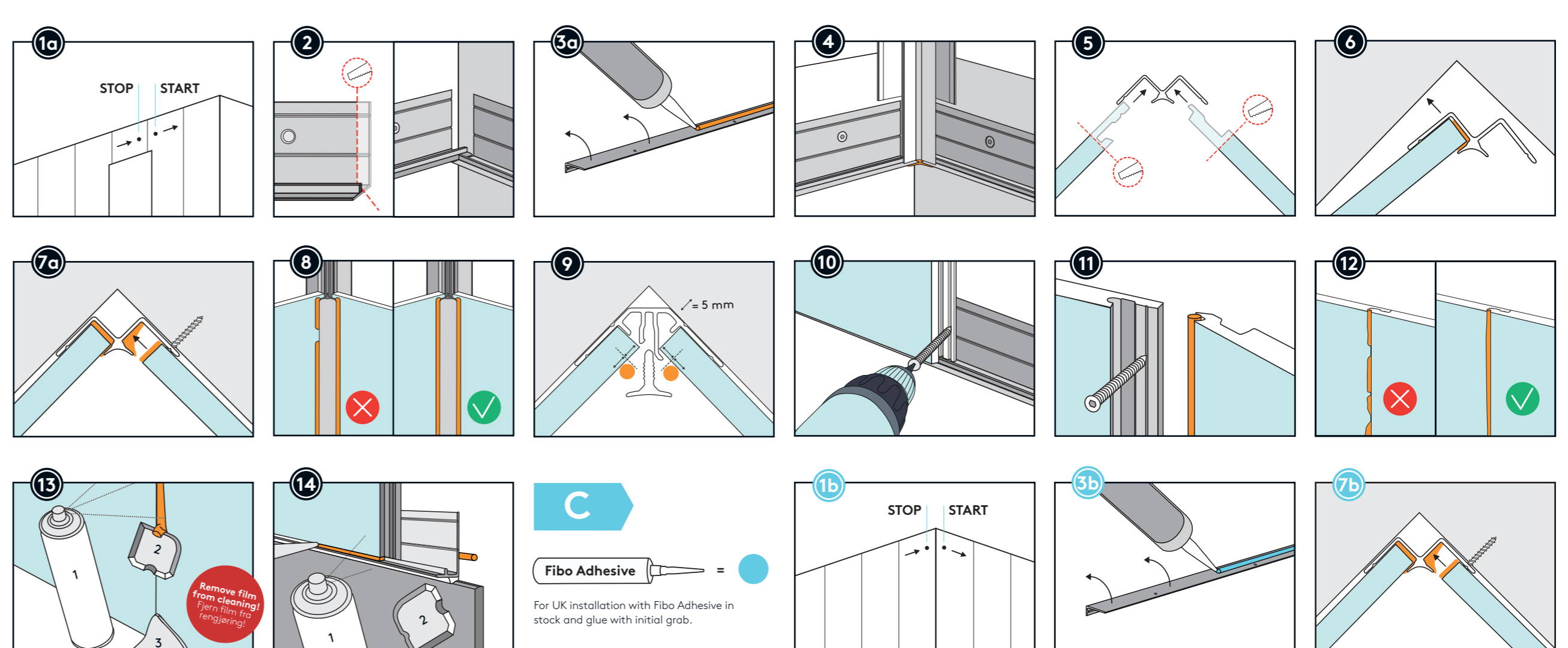
Fibo Seal

Profile Tape

* Fibo Adhesive can be used instead of Fibo Seal.

* If backwall with strips, bead must be 18 mm. With board backwall the bead should be 6 mm. ** Fibo Adhesive can be used instead of Fibo Seal.

C STANDARD INTERNAL CORNER PROFILE STANDARD INNVEDIG HJØRNEPROFIL



Fibo Seal

Fibo Adhesive

For UK installation with Fibo Adhesive in stock and glue with initial grab.