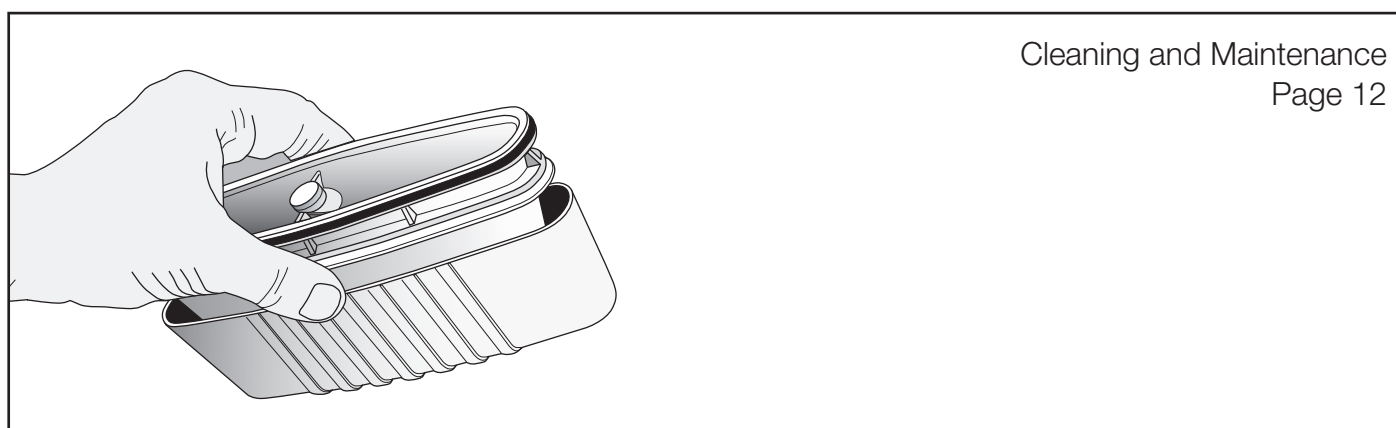
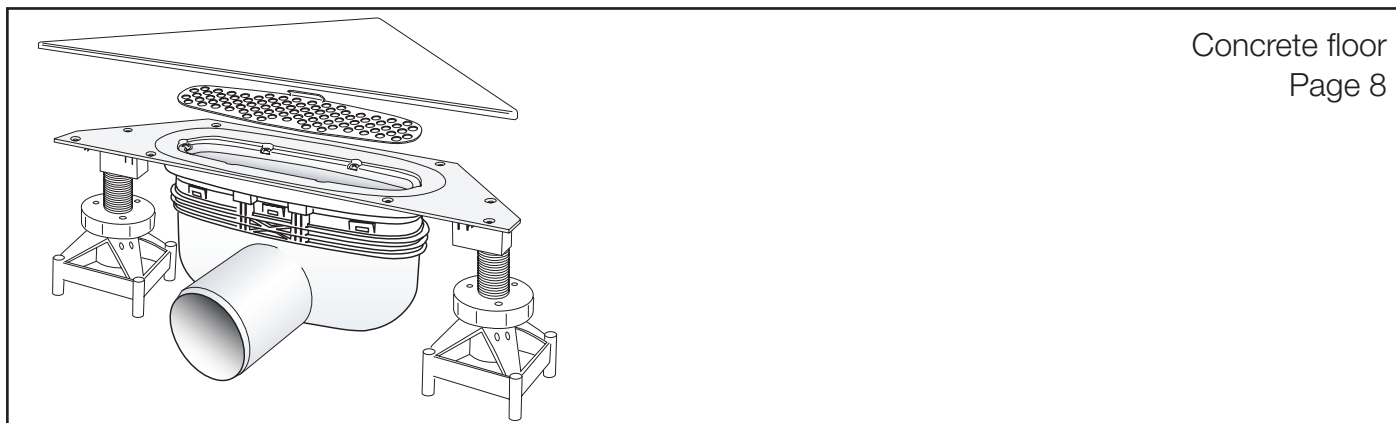
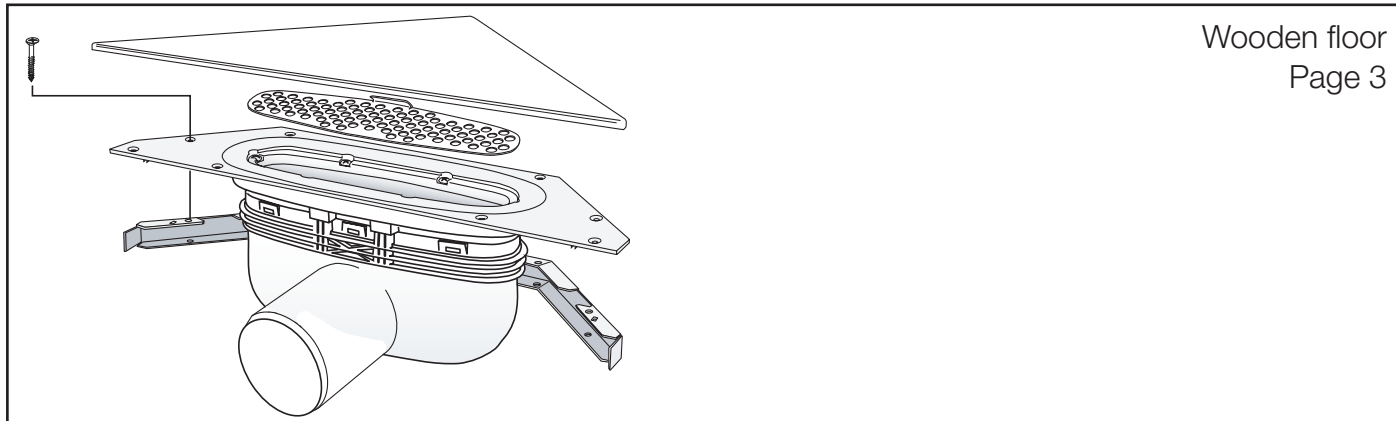


Installation Instructions

Purus Corner - Twist



Our ongoing product development may cause changes in the specifications. We reserve these rights.

PURUS

PURUS recommends

You are allowed to install floor gullys. Contact your insurance company to find out what applies to you.

However, we recommend that the installation is done by a licensed plumbing company.

Installation

The floor drain must be firmly mounted at a height that enables the seal layer to be installed properly.

Before starting with the the sealing layer thoroughly read the waterproofing supplier's installation instructions.

The floor drain shall be securely secured to the floor joists so that the relative motions do not occur between the drains, surface, waterproofing and flooring.

The well shall be mounted horizontally and may lean max

+ / - 2 mm. Keep the cover on the floor joist is finished. The water trap shall be mounted in the well during the installation.

In connection with the floor drain, the floor slope shall be at least 1:150 to ensure runoff, but not exceeding 1:50 in order to reduce the risk of slipping.

Renovation

Existing floor gullys should normally be replaced when you renovate. Floor gullys that are manufactured up to 1991 is not approved and should always be replaced.

Document the renovation, for eventuela future needs.

Installation Instructions Purus Corner

For timber joist floors with clinkers and stainless frame/strainer

The box contains:

- 1 Floor drain.
2. Stainless frame/strainer.
3. Installation frame timber joist floor (H: 35 mm).
4. Wood screws (12 pce.).
5. Stainless hair strainer.
6. Purus support for embedment (2 pce.).
(not illustrated)

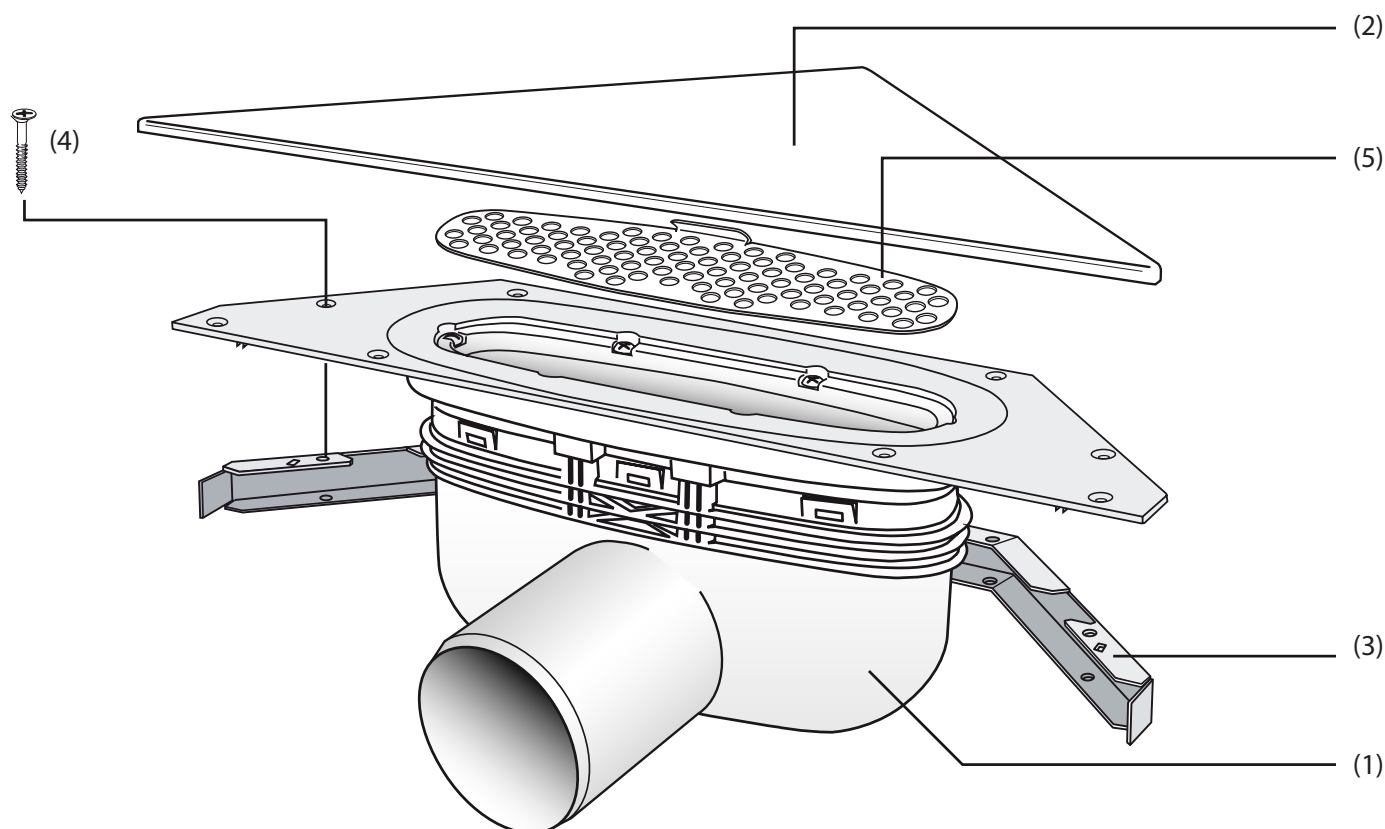
For connection with sealing membrane and ceramic floor BKR's (Swedish Board of Housing, Building & Planning) industry guidelines must be observed.
For connection with plastic mat as sealing membrane, GBR's industry guidelines must be observed.

Note:

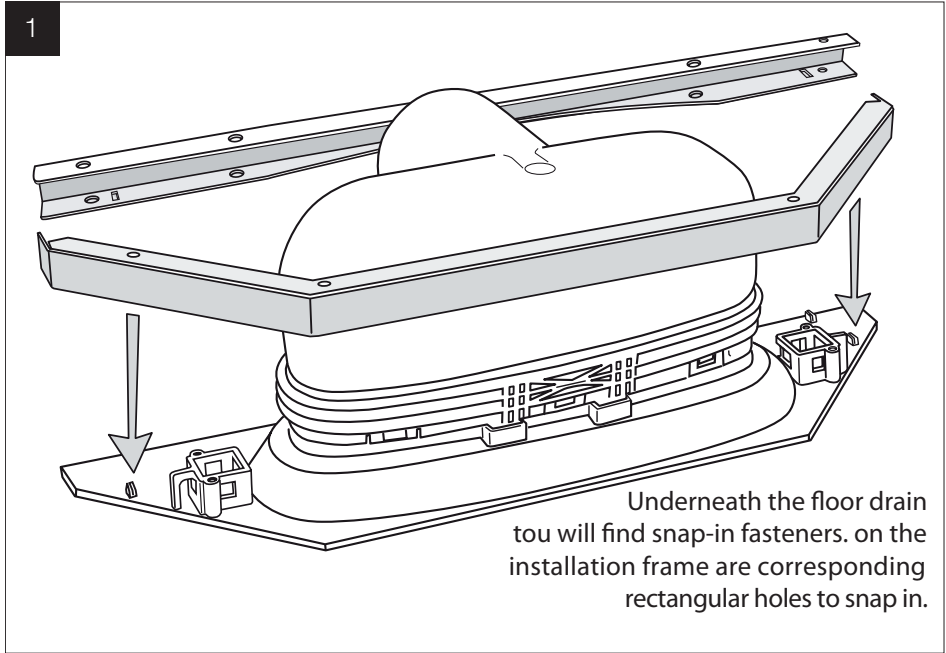
Read the installation instructions carefully before installation. For installation by authorised heating, ventilation & sanitation professional.



Our continual product development may result in changes in specifications, which we reserve the right to.

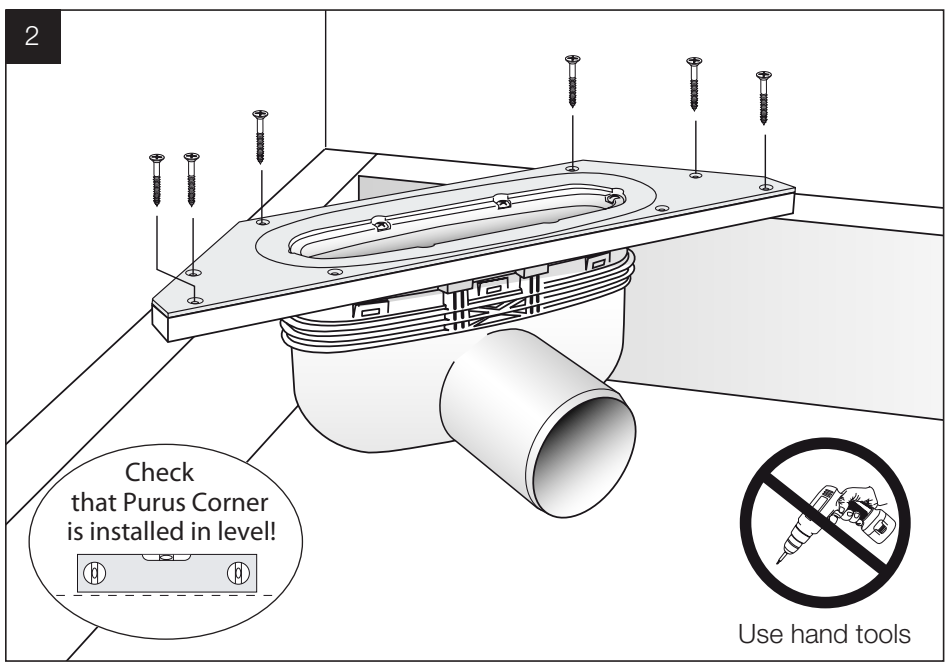
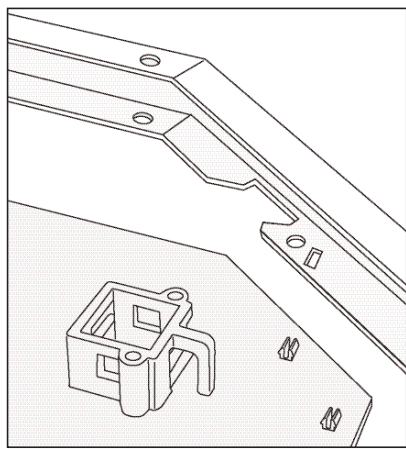


This product complies with Industry Standards Safe Water Installation [Branschregler Säker vatteninstallation]. The supplier guarantees that the product functions correctly if industry standards and the product installation instructions are followed. PURUS is a member of the Swedish Tile Association and the Swedish Flooring Trade Association.



Underneath the floor drain you will find snap-in fasteners. on the installation frame are corresponding rectangular holes to snap in.

Press the two-part installation frame (H:35 mm) in place under the drain.



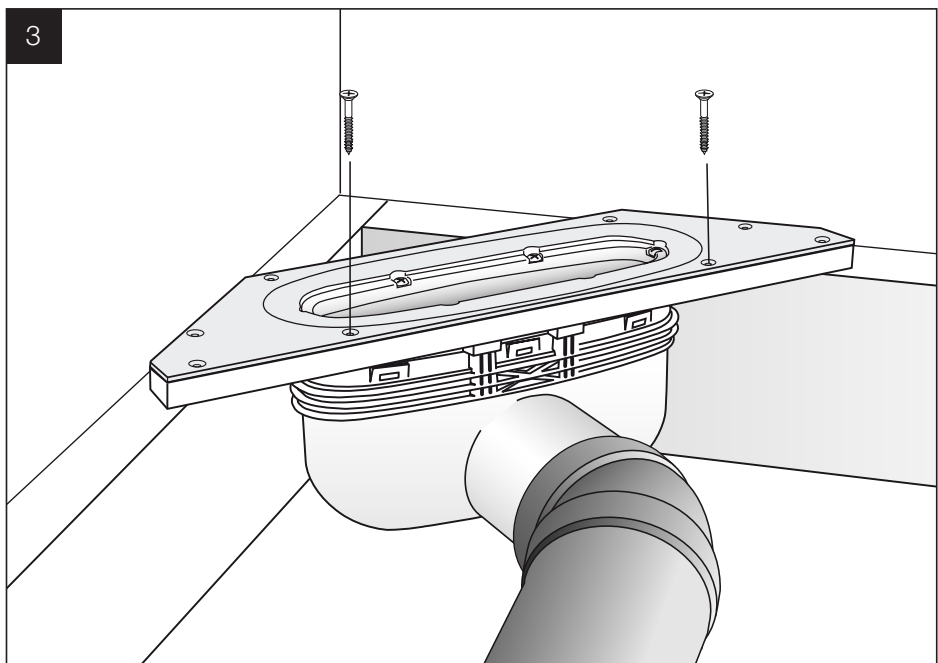
Check that Purus Corner is installed in level!



Use hand tools

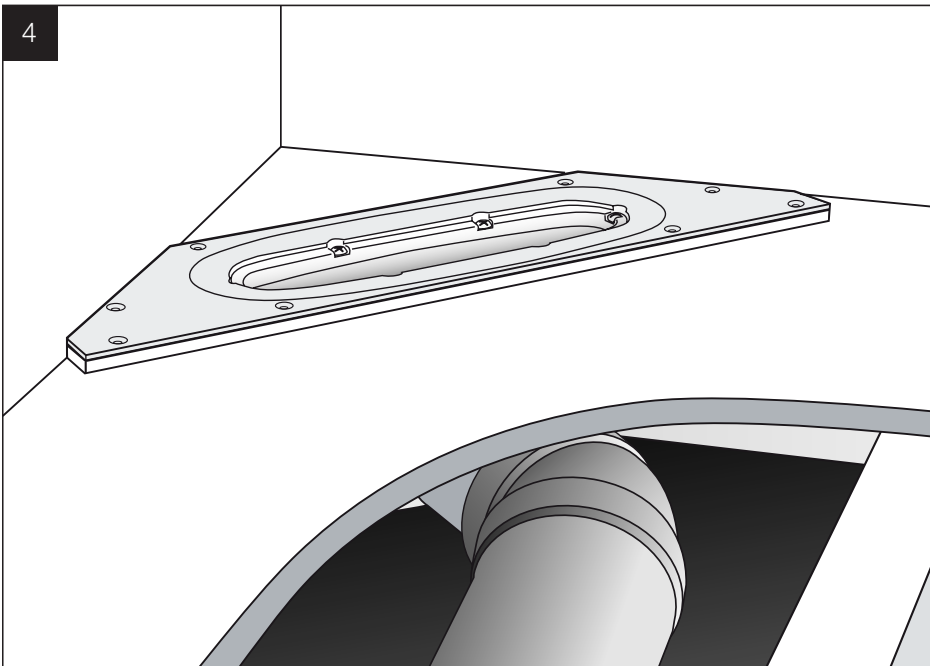
Screw the drain in the timber joist floor.

Use hand tools!



Screw the drain to the mounting frame when no rules exist for anchoring the plastic top to the frame.

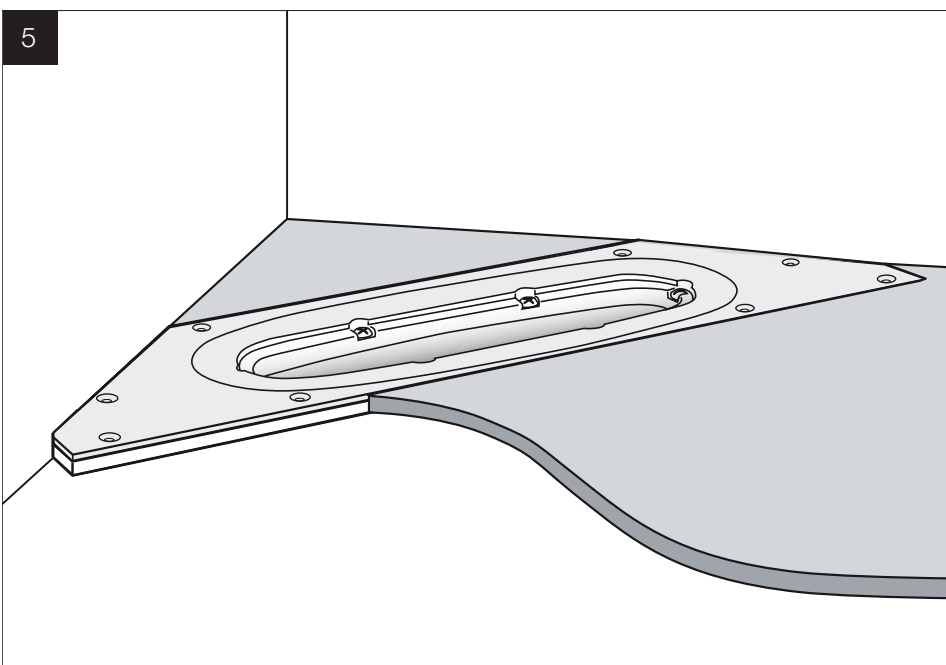
Connect the drain to the drain-pipe.



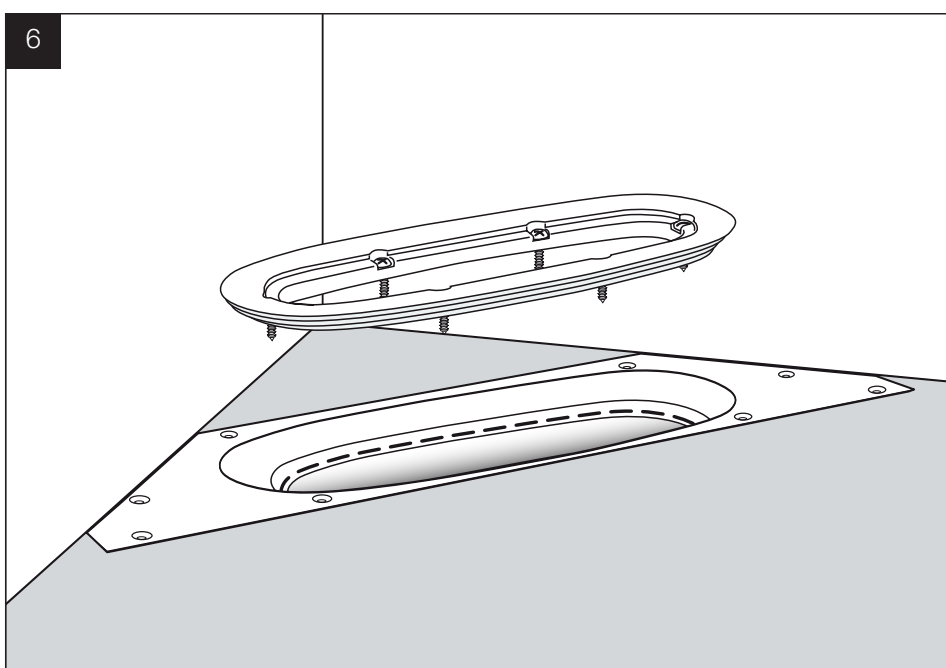
Lay flooring particle board.

Checklist

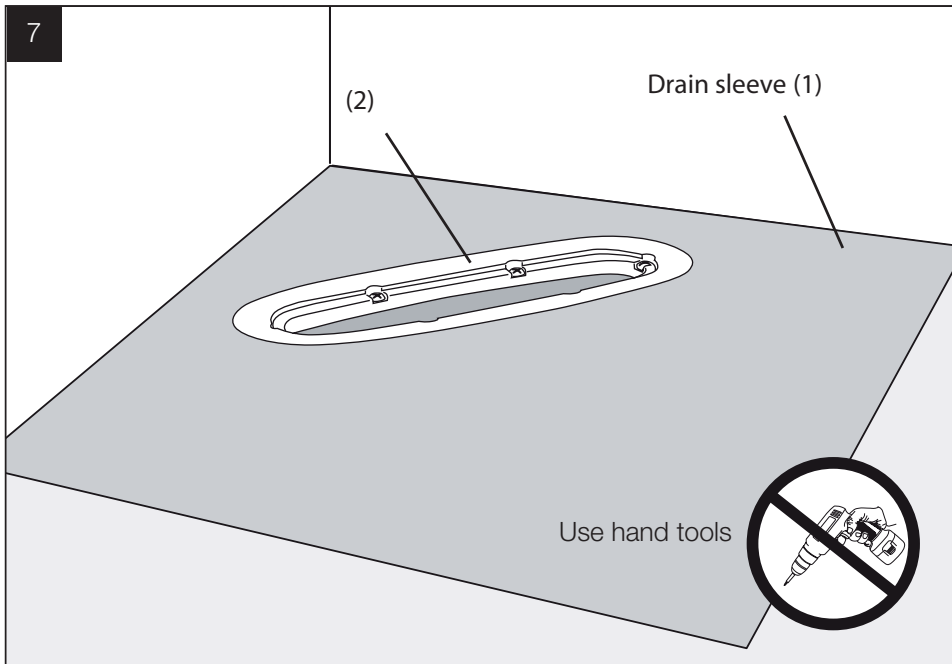
- Purus Line must be mounted level.
- Sealing membrane must be connected to Purus Line according to the sealing membrane manufacturer's instructions.



Pour levelling compound.

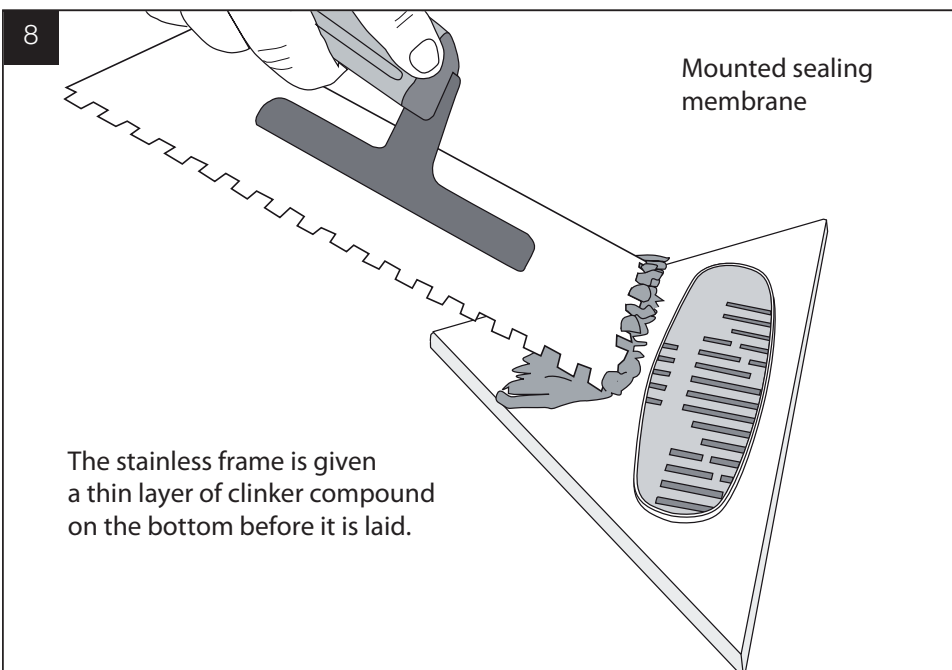
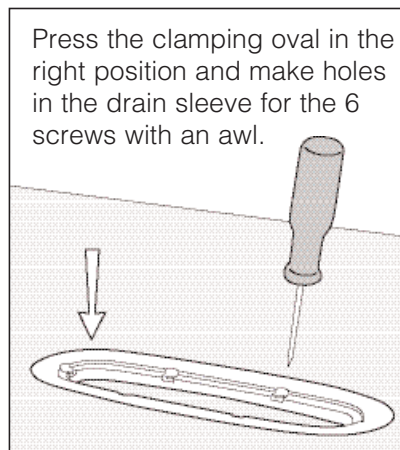


When the floor is finished, unscrew the 6 screws from the drain and lift up the oval clamping ring.

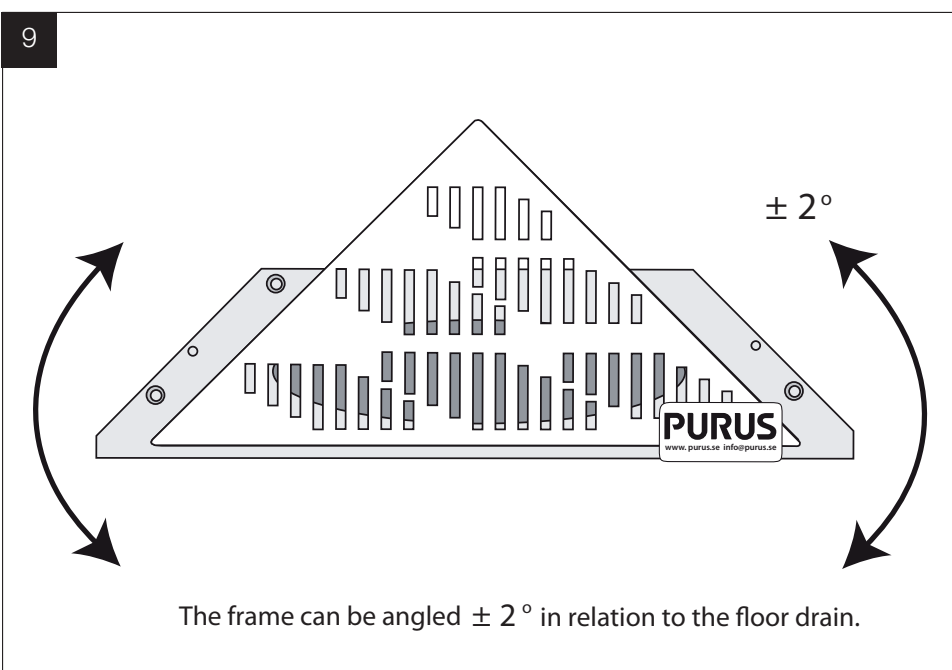


Mount the drain sleeve (1) in the groove and screw on tightly under the oval clamping ring (2).

Use hand tools!

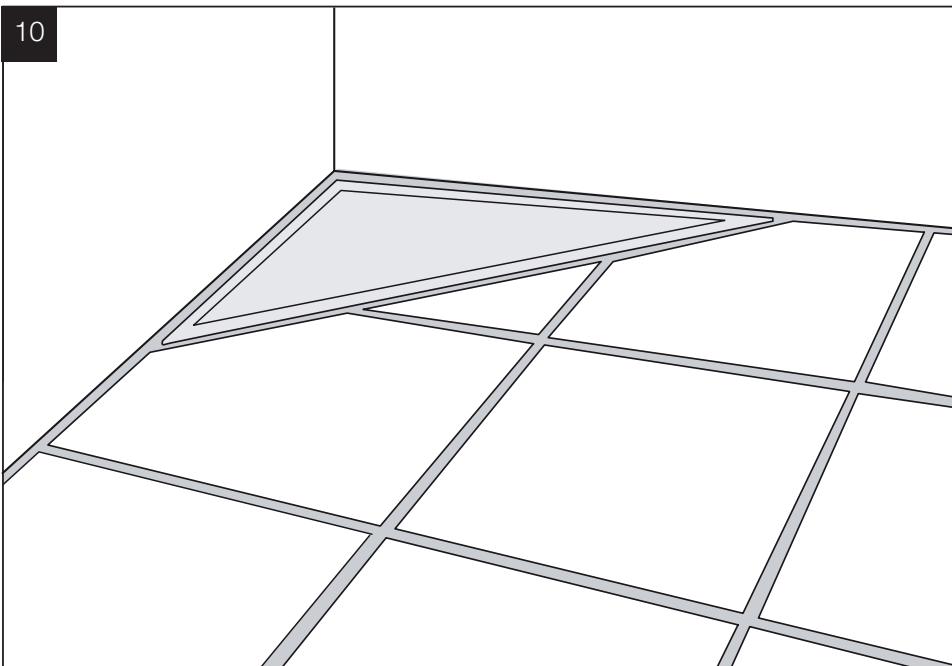


Lay the sealing membrane according to the sealing membrane manufacturer's mounting instructions.



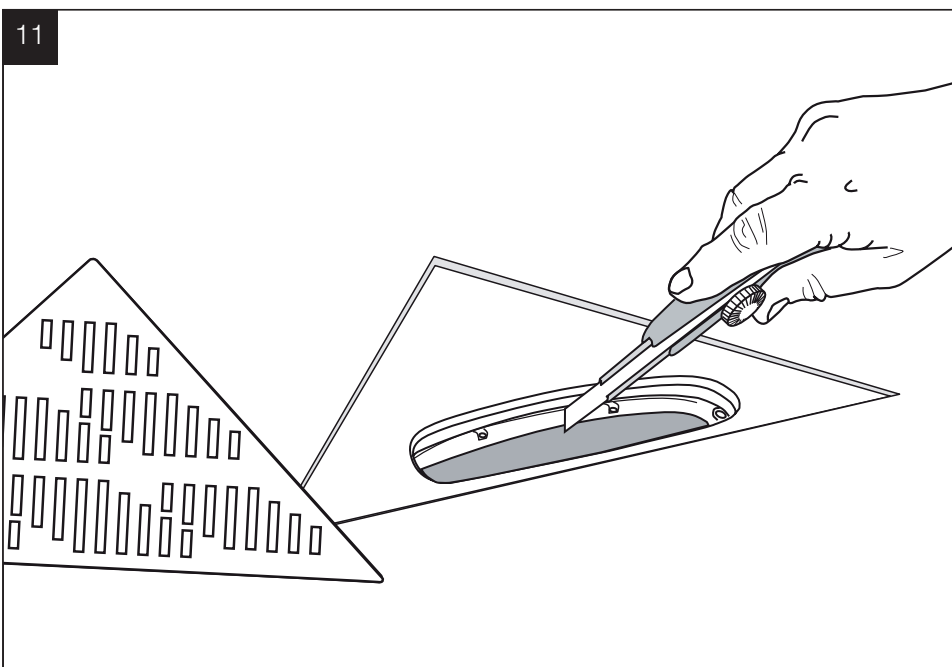
Note: check whether it is possible to disassemble the drain trap.

Press down the frame.



10 Lay the clinkers and joint the frame with clinker joint compound.

Keep the plastic on the frame until you have finished the floor joints.



11 Loosen the plastic on the frame/grate and lift up the grate.

Using a sharp knife, trim the drain sleeve that is still covering the opening down in the drain along the inner edge of the oval clamping ring.

Check the trimming by dismounting/mounting the drain trap insert.

Installation Instructions Purus Corner

Installation in concrete flooring with stainless frame/grate.

The box contains:

- 1 Floor drain.
- 2 Stainless frame/grate.
- 3 Purus support for embedment (2 pce.).
- 4 Stainless hair strainer.
- 5 Installation frame timber joist floor (H: 22 mm). (not illustrated)
6. Wood screws (12 pce. 4x70) (not illustrated).

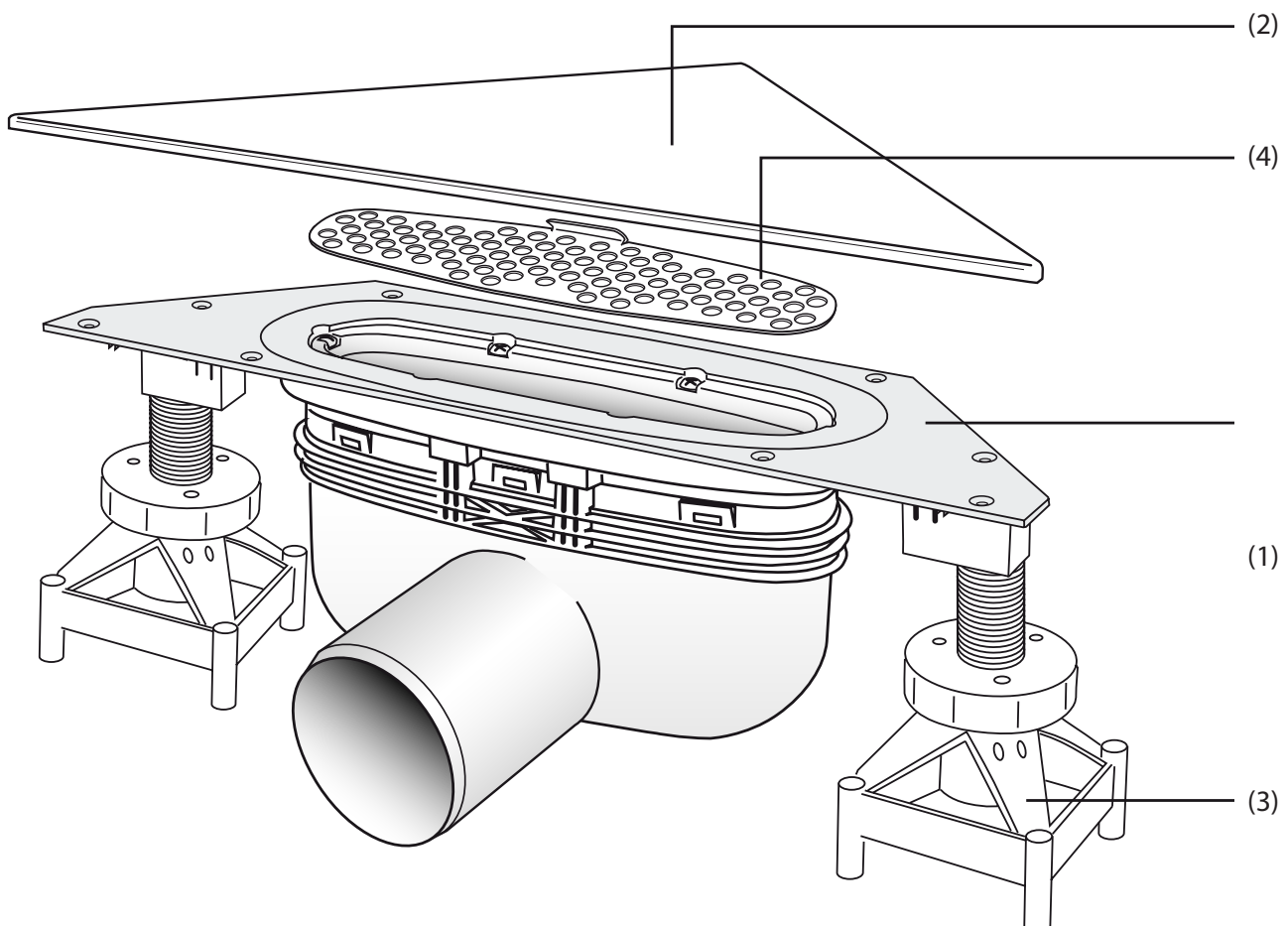
For connection with sealing membrane and ceramic floor BKR's (Swedish Board of Housing, Building & Planning) industry guidelines must be observed. For connection with plastic mat as sealing membrane, GBR's industry guidelines must be observed.

Note:

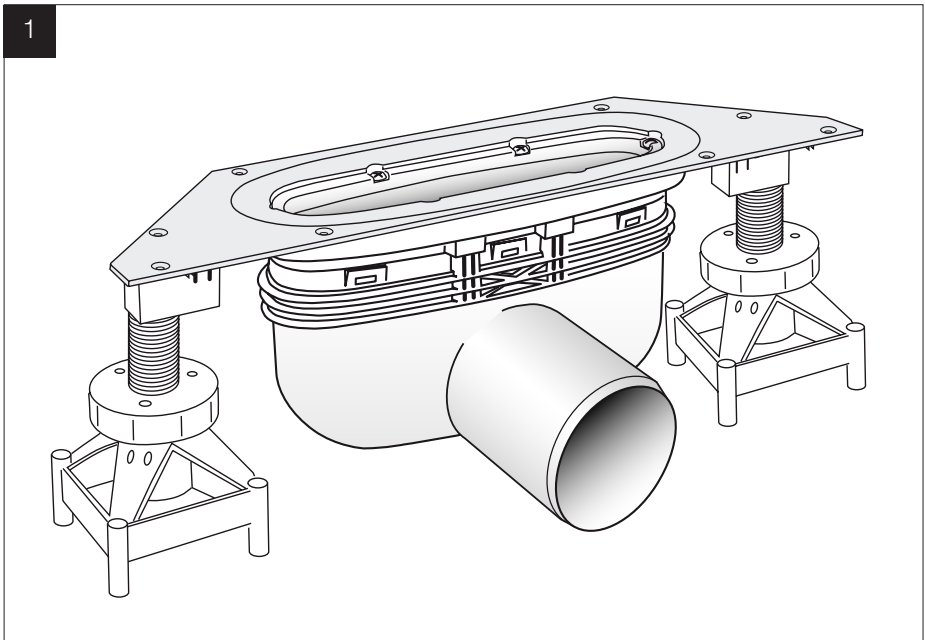
Read the installation instructions carefully before installation. For installation by authorised heating, ventilation & sanitation professional.



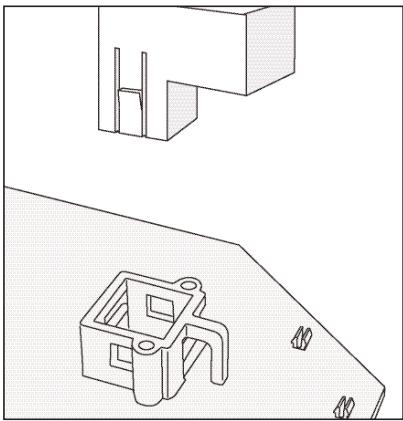
Our continual product development may result in changes in specifications, which we reserve the right to.



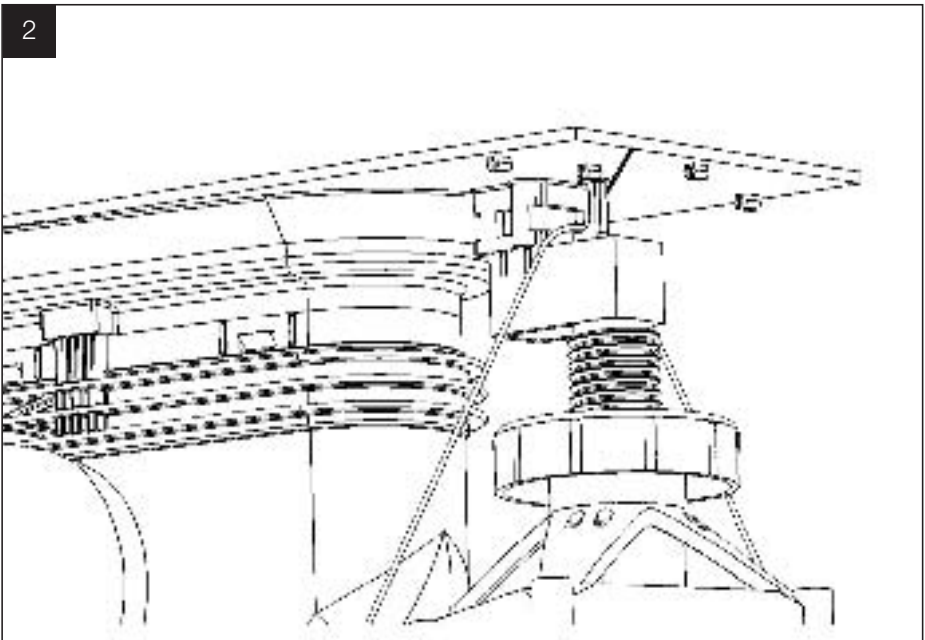
This product complies with Industry Standards Safe Water Installation [Branschregler Säker vatteninstallation]. The supplier guarantees the correct function of the product if industry standards and the product installation instructions are followed. PURUS is a member of the Swedish Tile Association and the Swedish Flooring Trade Association.



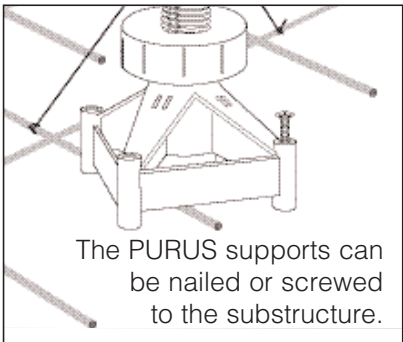
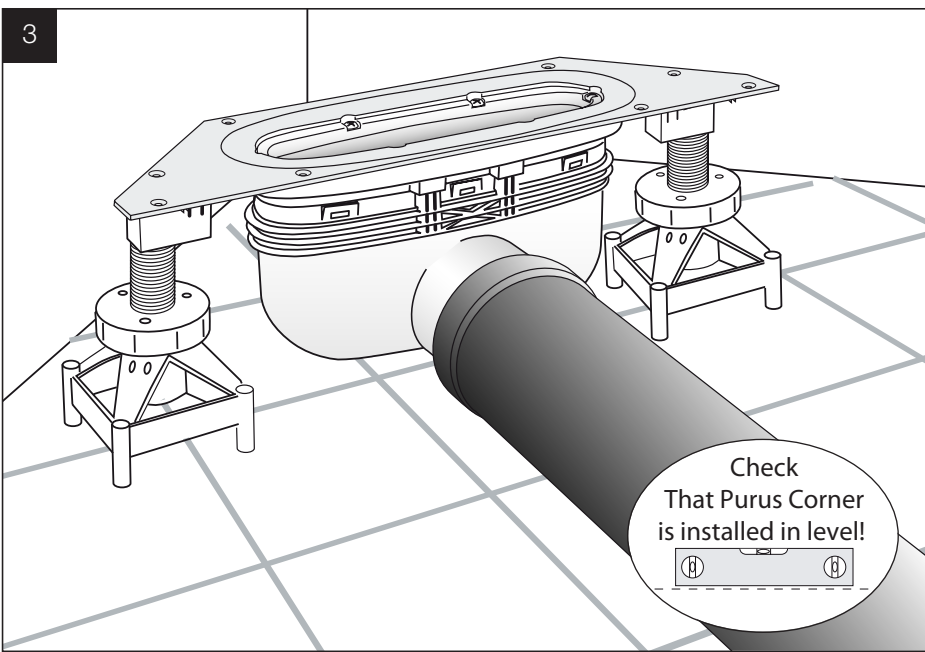
Press the Purus support in place under the drain.



Underneath the floor drain are snap-on fasteners for Purus supports. Install them and adjust to the desired height.



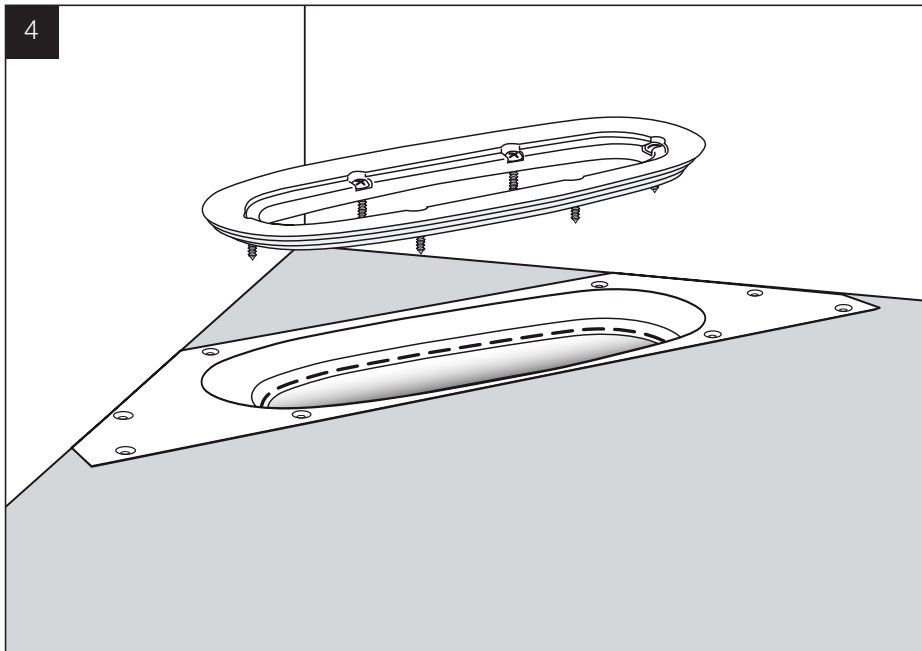
Fasten the drain to the reinforcement using tying wiring that goes up through the loop on the drain piece connected to the attachment for the Purus support.



Upper side drain = finished concrete floor

Connect to drainage system.

The floor is ready to be poured. Check that the drain's opening is covered in plastic film so no concrete gets into the drain trap.

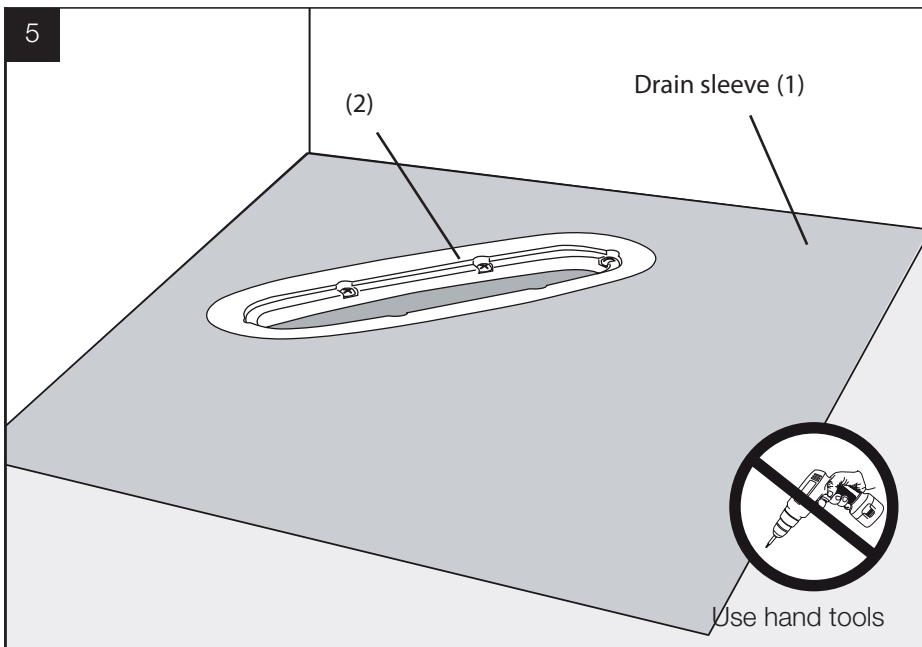


Pour compound!

When the floor has hardened, unscrew the 6 screws from the drain and lift up the oval clamping ring.

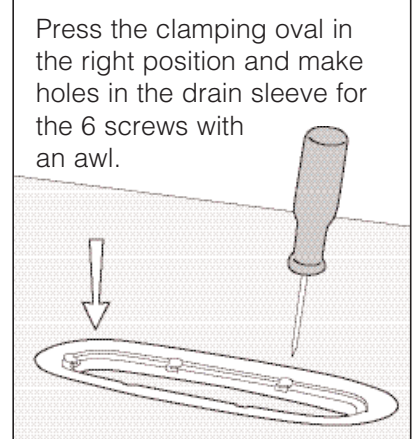
Checklist

- Purus Corner must be mounted level.
- Sealing membrane must be connected to Purus Line according to the sealing membrane manufacturer's instructions.

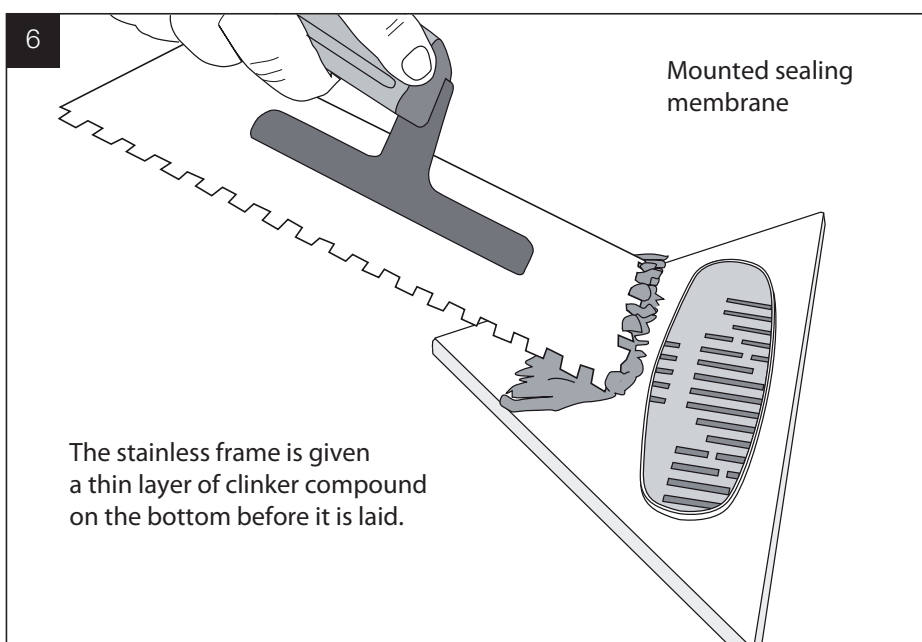


Mount drain sleeve (1) in the groove and screw on tightly under the oval clamping ring (2).

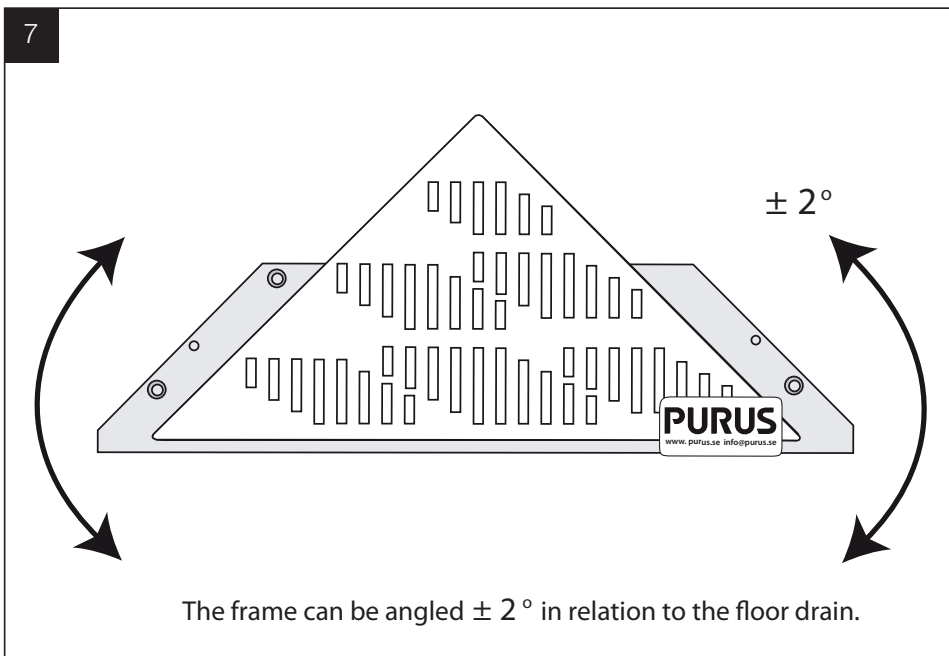
Use hand tools!



Press the clamping oval in the right position and make holes in the drain sleeve for the 6 screws with an awl.

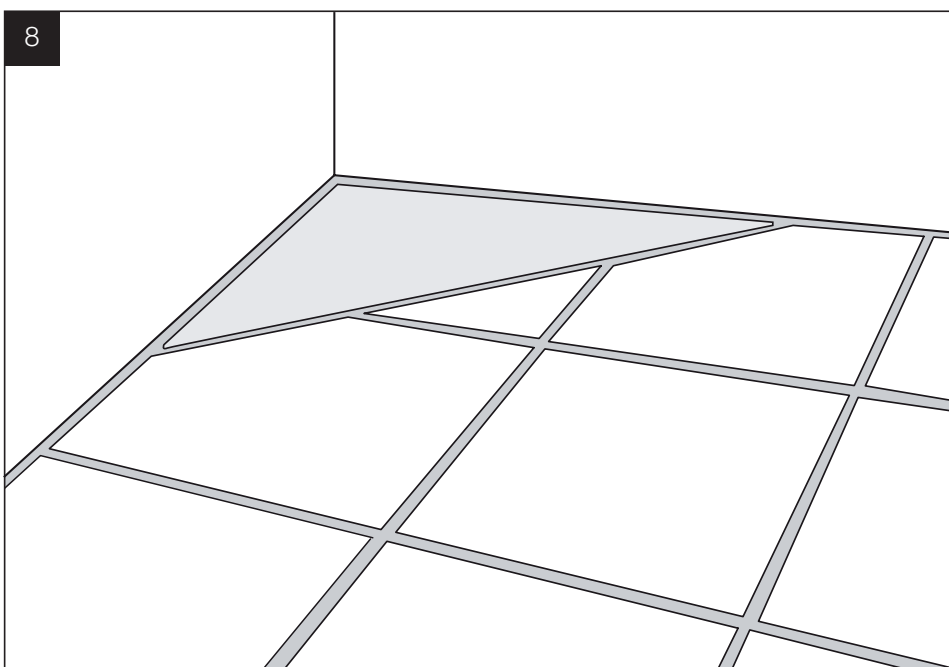


Lay the sealing membrane according to the sealing membrane manufacturer's mounting instructions.



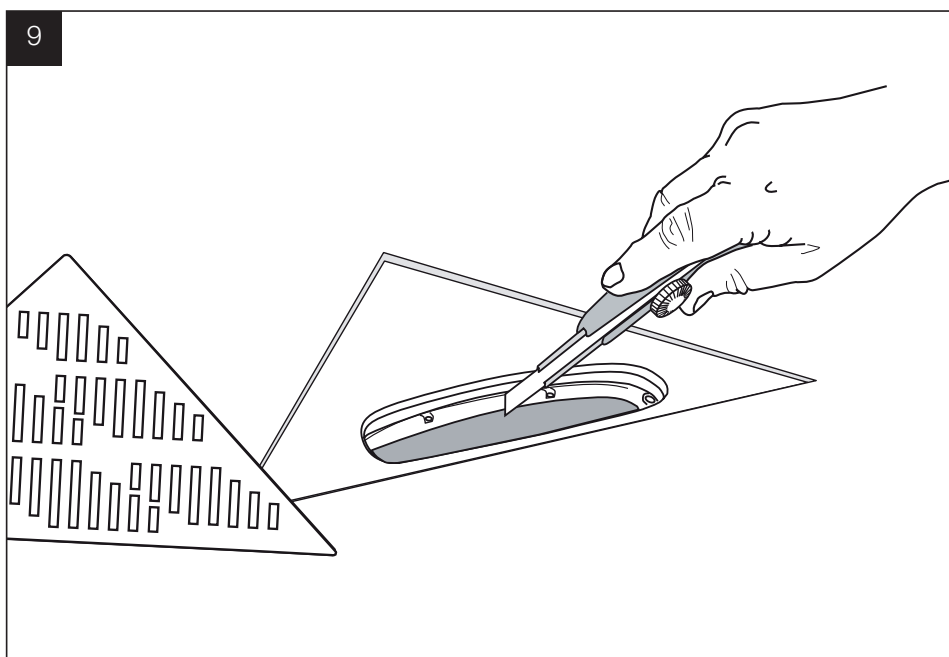
Note: Check whether it is possible to disassemble the drain trap.

Press down the frame.



Lay the clinkers and joint the frame with clinker joint compound.

Keep the plastic on the frame until you have finished the floor joints.

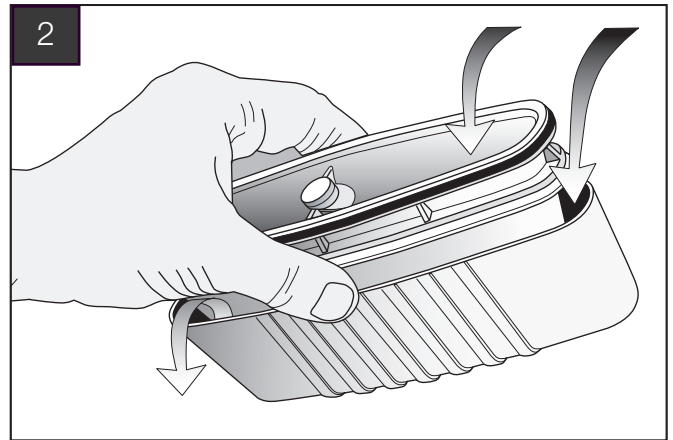
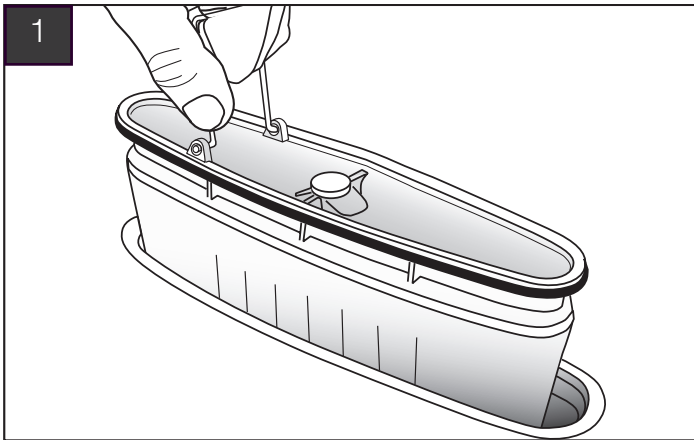


Loosen the plastic on the frame/strainer and lift up the grate.

Using a sharp knife, trim the drain sleeve that is still covering the opening down in the drain along the inner edge of the oval clamping ring.

Check the trimming by dismounting/mounting the drain trap insert.

Cleaning and Maintenance



1. Lift out the water trap, shown by picture (1).
2. If necessary, Rinse the water trap under water see picture (2).
3. Replace the water trap.

Hold the water trap with the spring loaded body open whilst rinsed clean. Alternatively use a brush.

Make sure the gaskets are completely clean so the trap is watertight. Ensure when placed back that the gully is fully inserted so the gasket is watertight using two thumbs at each side.

PURUS

info@purus.se
www.purus.se/gl