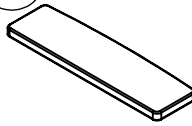

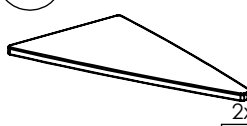
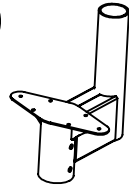
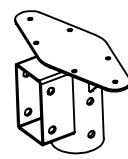
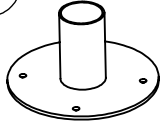
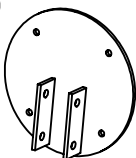
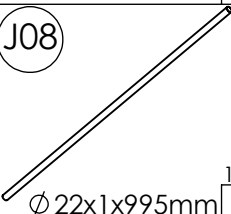
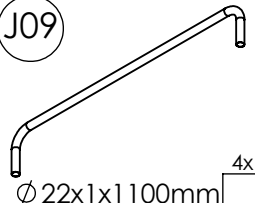
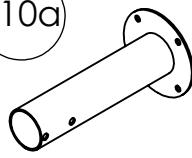
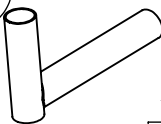
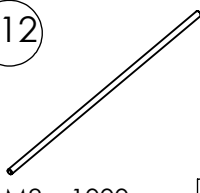
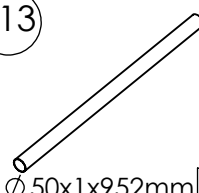




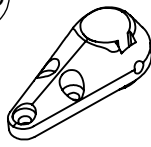
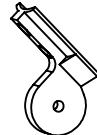

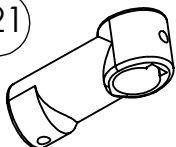
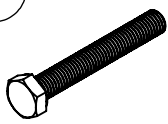
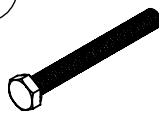
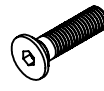


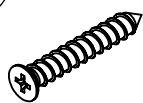
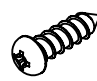

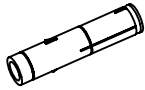



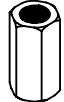
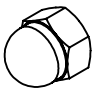




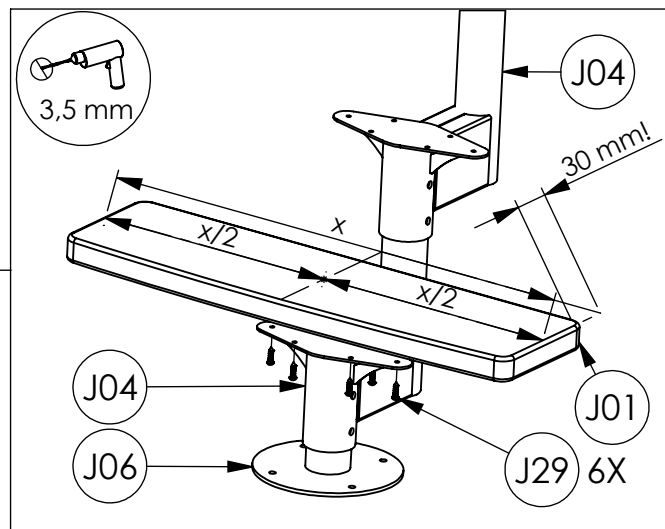
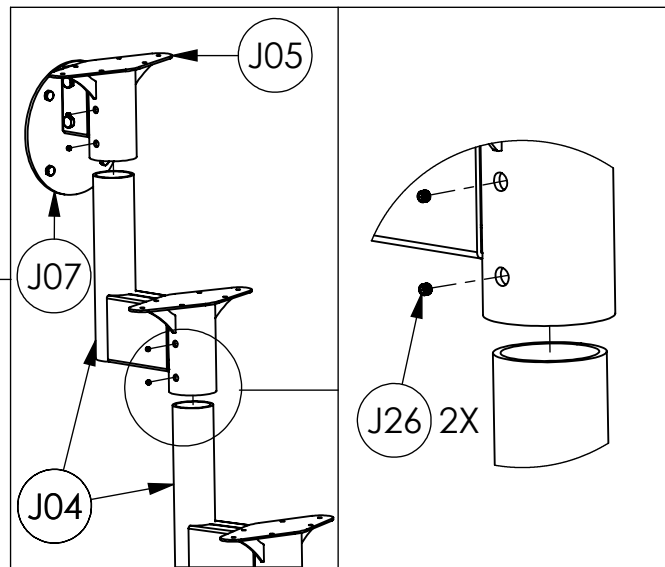
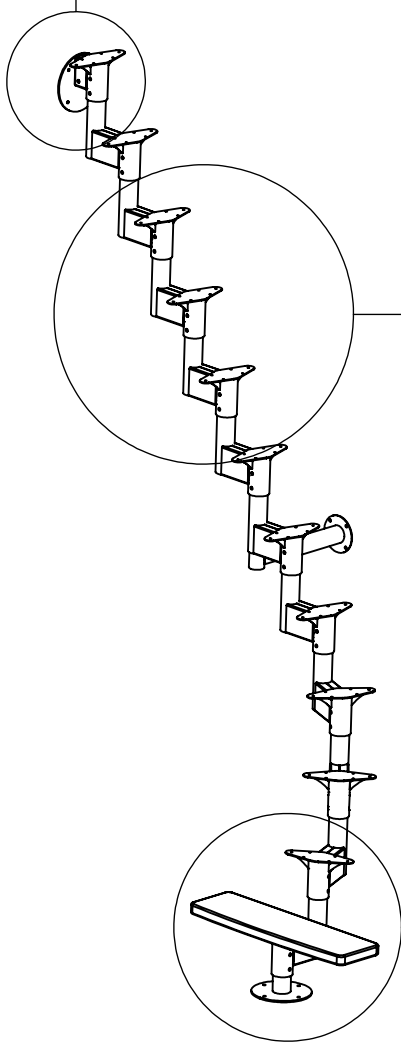
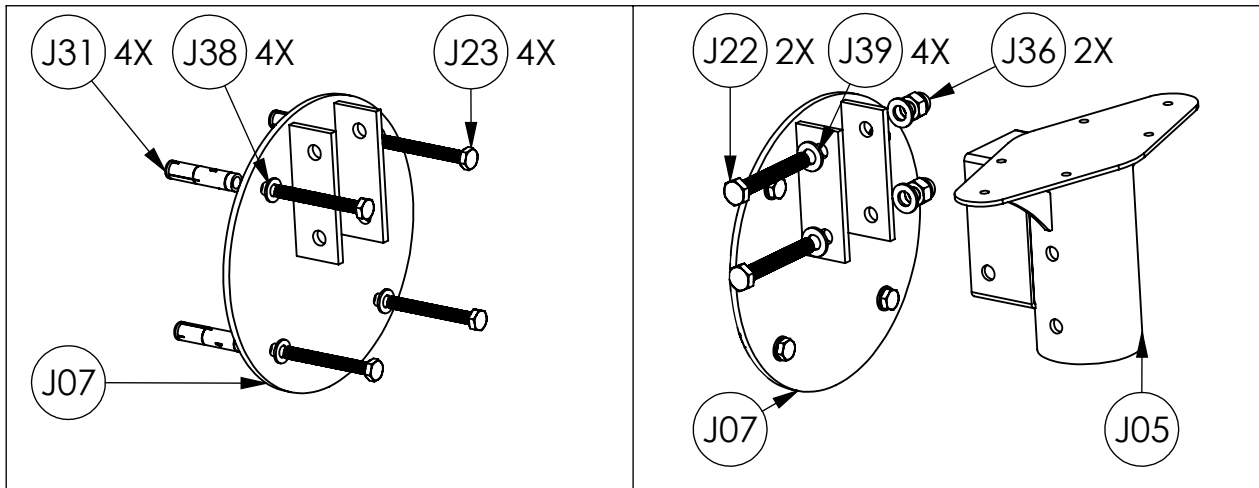
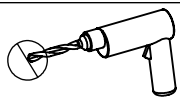


H	
8	1376 - 1872 mm
9	1548 - 2106 mm
10	1720 - 2340 mm
11	1892 - 2574 mm
12	2064 - 2808 mm
13	2236 - 3000 mm

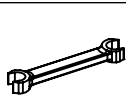
J01  12x	J02  2x	J03  2x	J04  11x	J05  1x
J06  1x	J07  1x	J08  $\phi 22 \times 1 \times 995 \text{ mm}$ 12x	J09  $\phi 22 \times 1 \times 1100 \text{ mm}$ 4x	J10a  1x
J11a  1x	J12  M8 x 1000 mm 3x	J13  $\phi 50 \times 1 \times 952 \text{ mm}$ 3x	J14  $\phi 22 \text{ mm}$ 12x	J15  $\phi 35 \text{ mm}$ 4x
J16  $\phi 60 \text{ mm}$ 11x	J17  12x	J18  22x	J19  12x	J20  5x
J21  8x	J22  M10 x 70 mm 2x	J23  M8 x 70 mm 12x	J25  M5 x 20 mm 12x	
J26  M10 x 8 mm 26x	J27  M6 x 6 mm 38x	J28  $\phi 5 \times 40 \text{ mm}$ 66x	J29  $\phi 6 \times 30 \text{ mm}$ 72x	J30  $\phi 3.9 \times 16 \text{ mm}$ 24x
J31  M8 x 55 mm 12x	J32  M6 DIN 562 38x	J33  M5 DIN 934 12x	J34  M8 DIN 934 4x	J35  M8 DIN 6334 2x
J36  M10 DIN 1587 2x	J37  M10 DIN 9021 6x	J38  M8 DIN 125 19x	J39  M10 DIN 125 4x	J40  $\phi 4 \times 25 \text{ mm}$ 12x



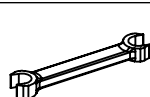
3



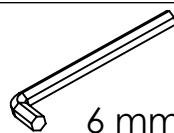
12 mm



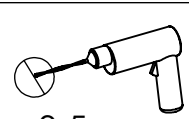
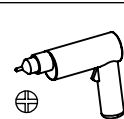
13 mm



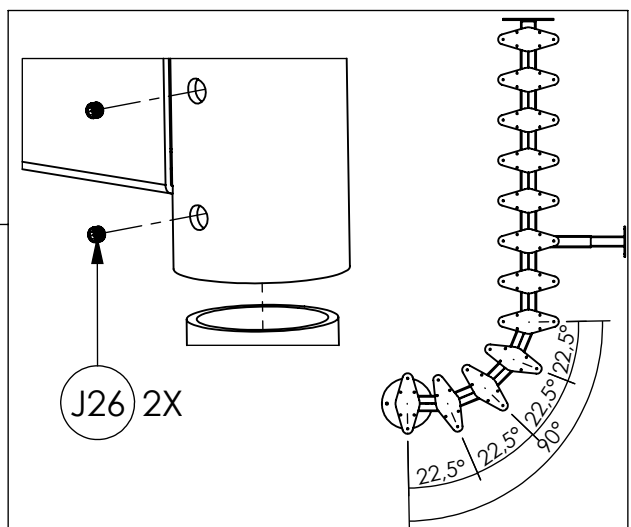
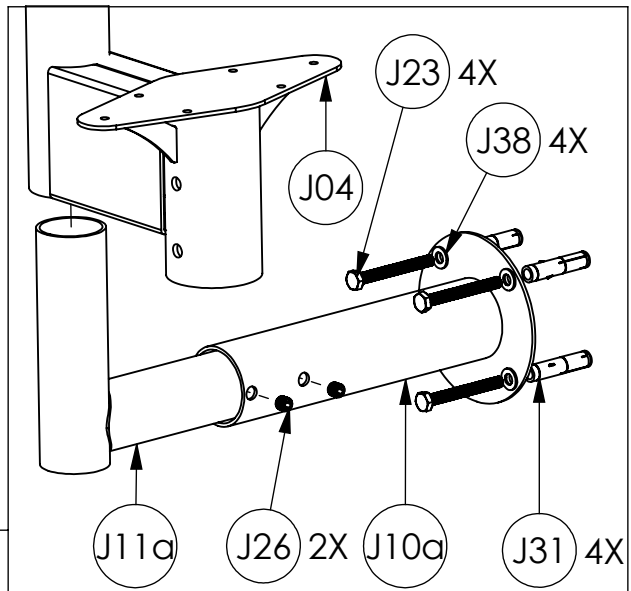
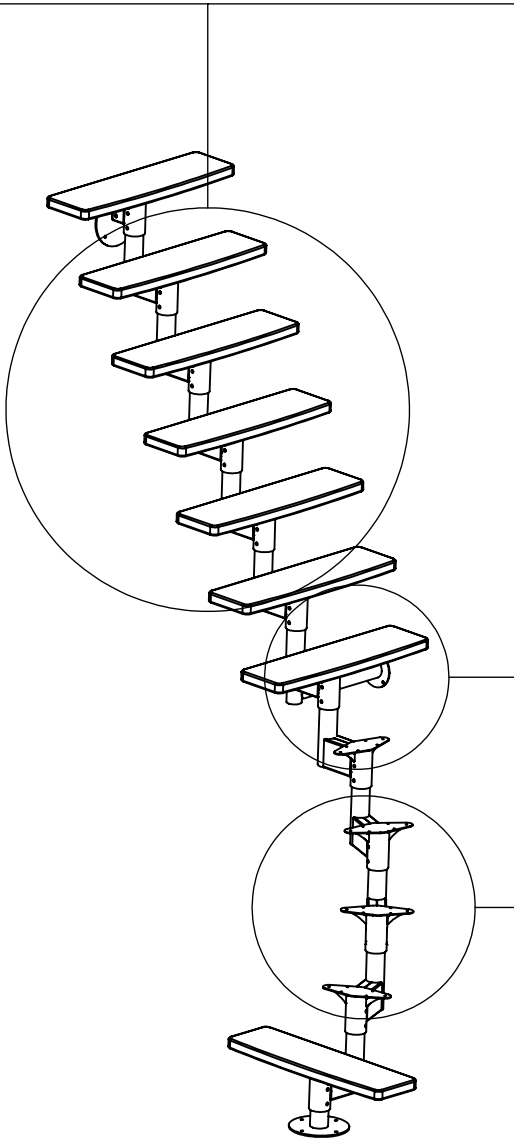
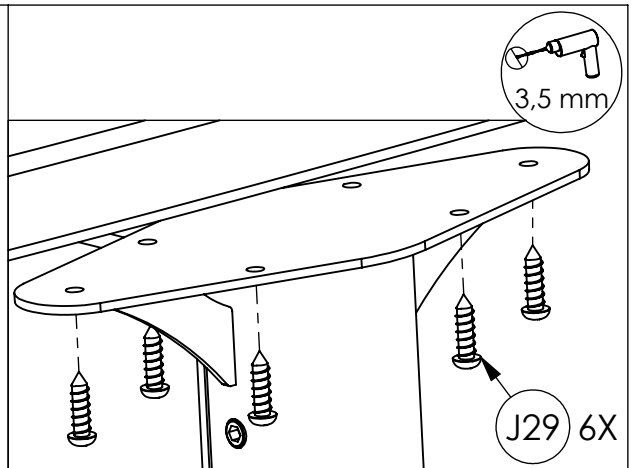
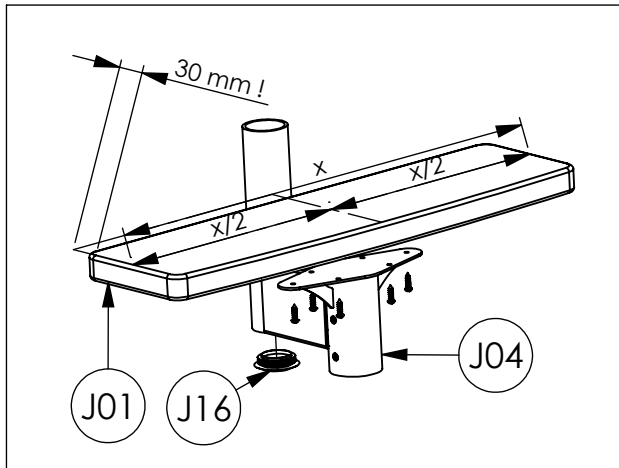
17 mm



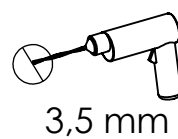
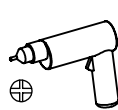
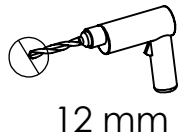
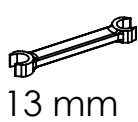
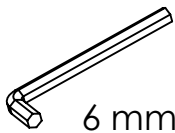
6 mm

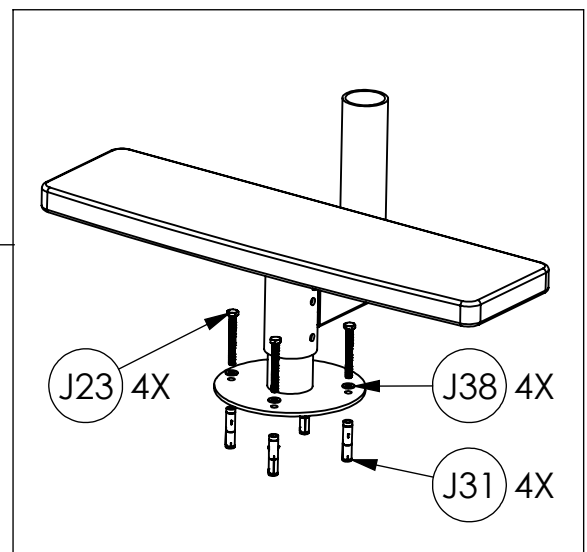
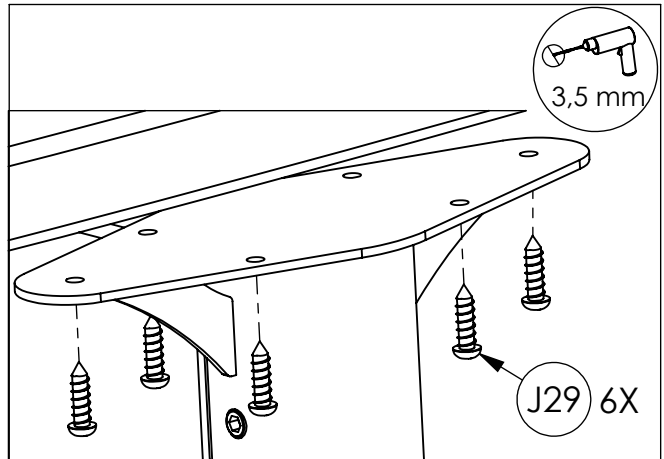
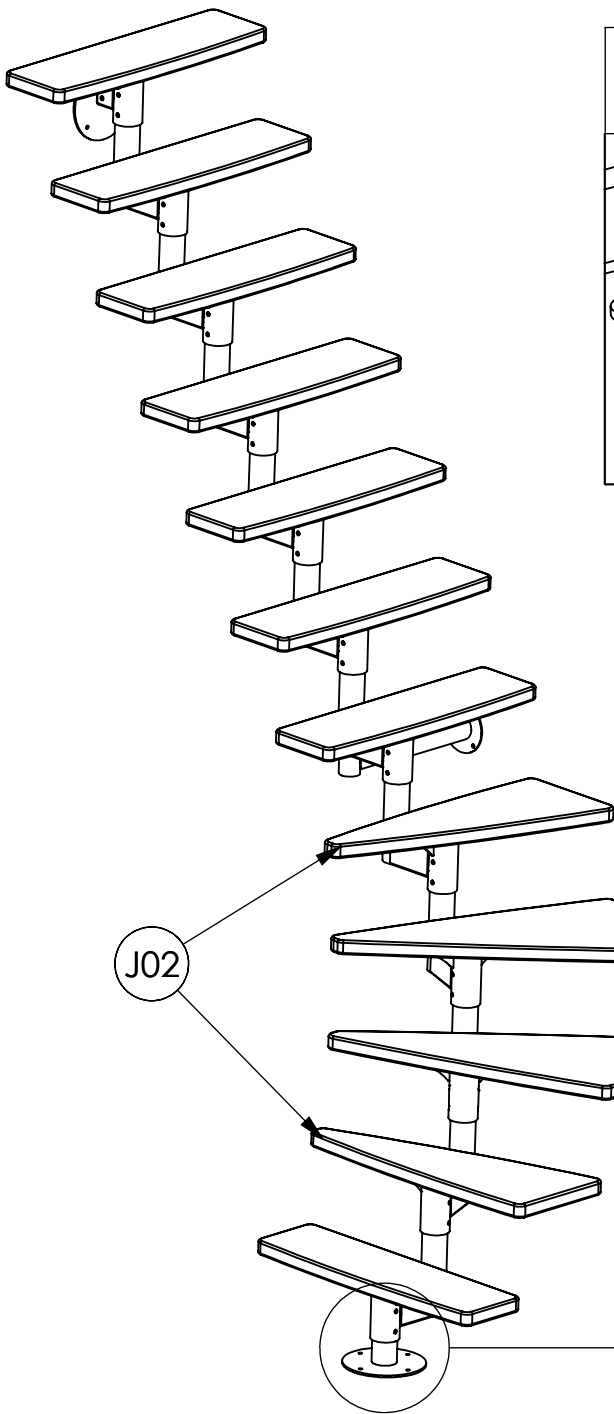


3,5 mm

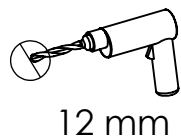


4

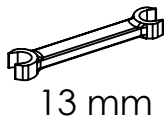




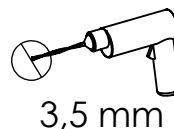
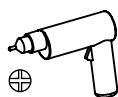
5



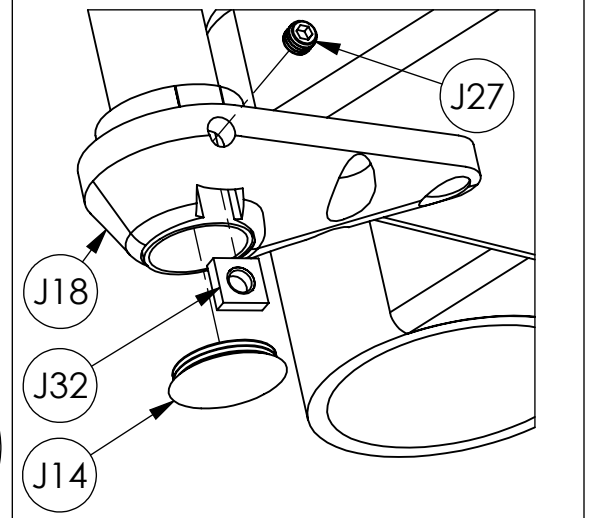
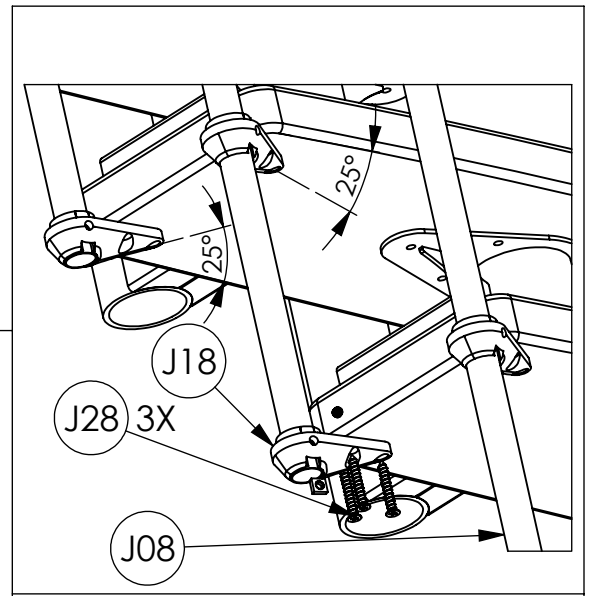
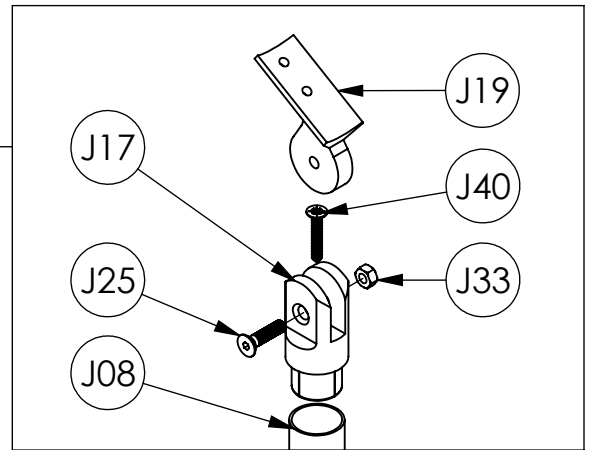
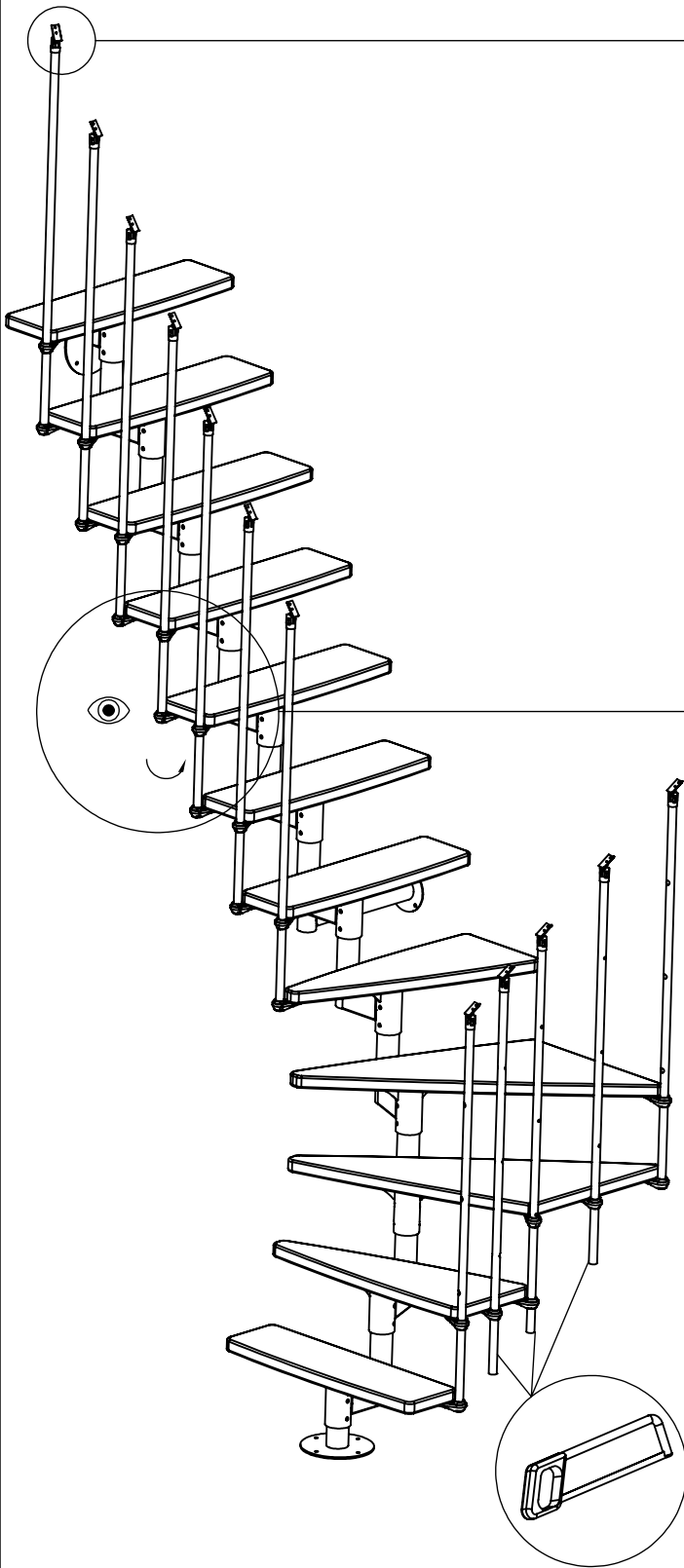
12 mm



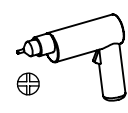
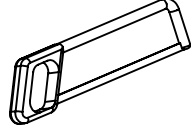
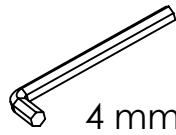
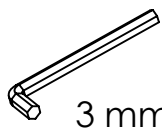
13 mm

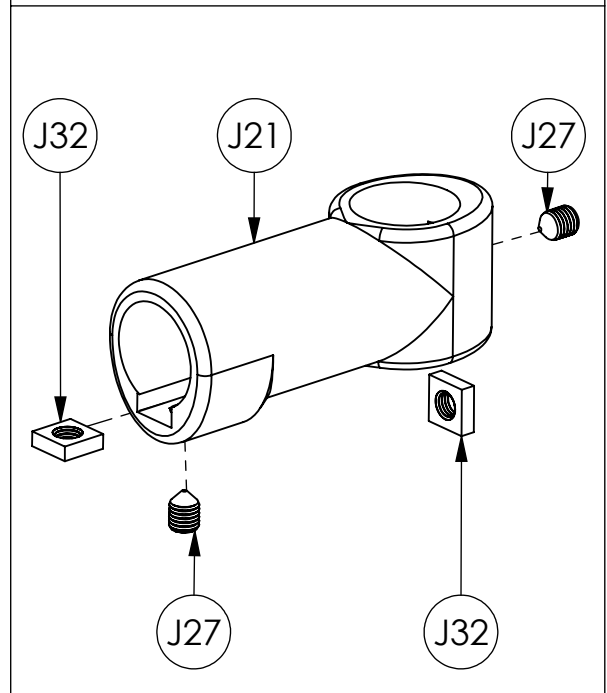
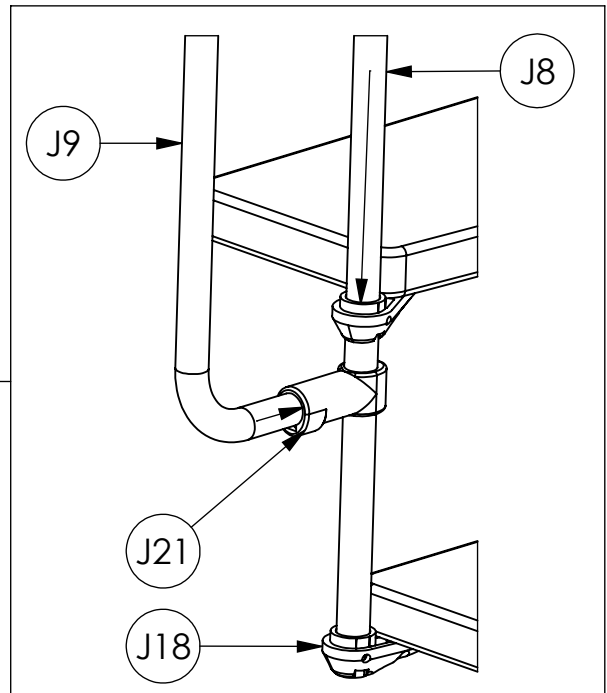
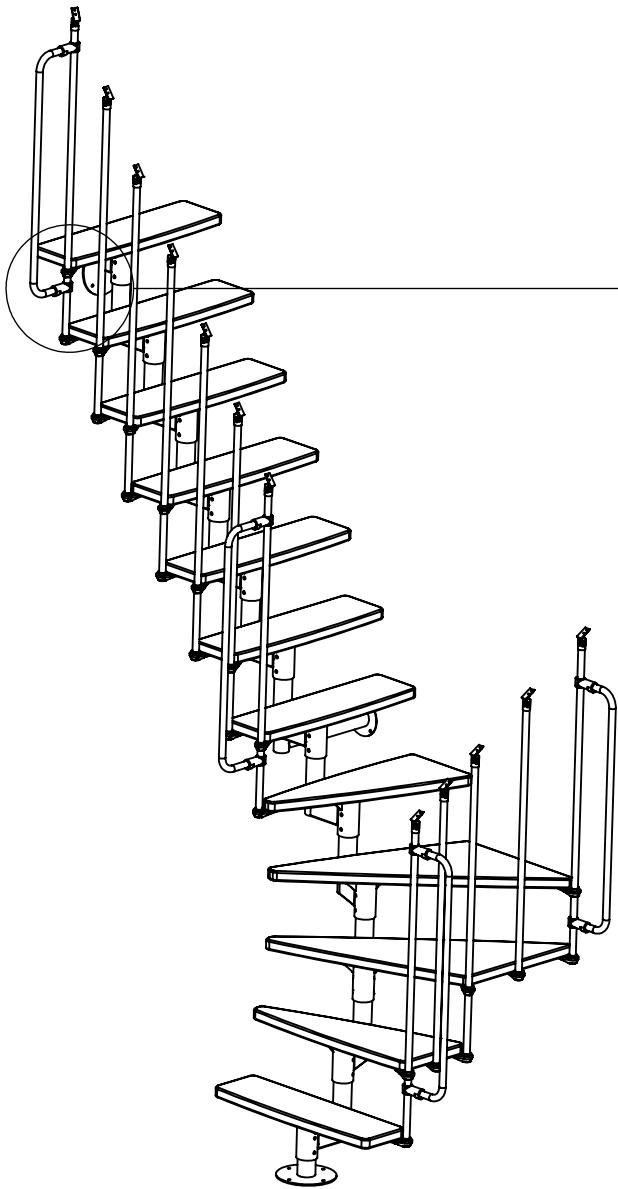


3,5 mm

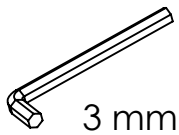


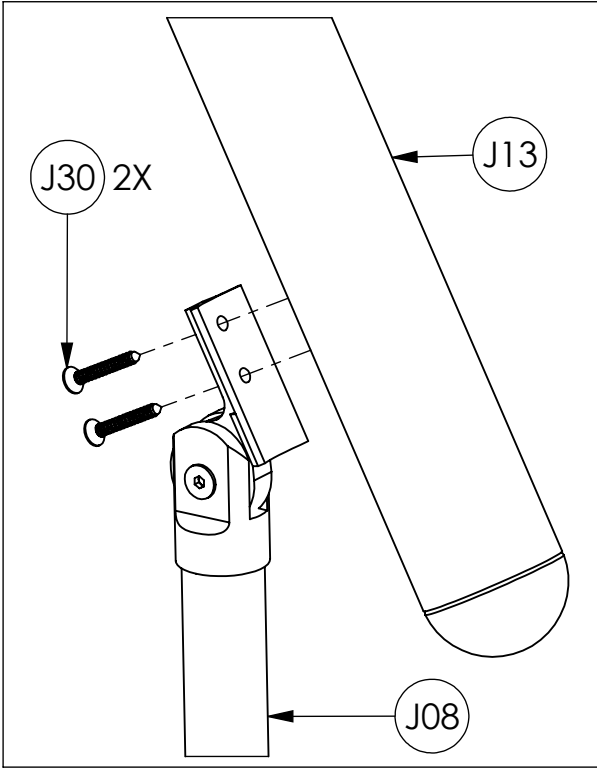
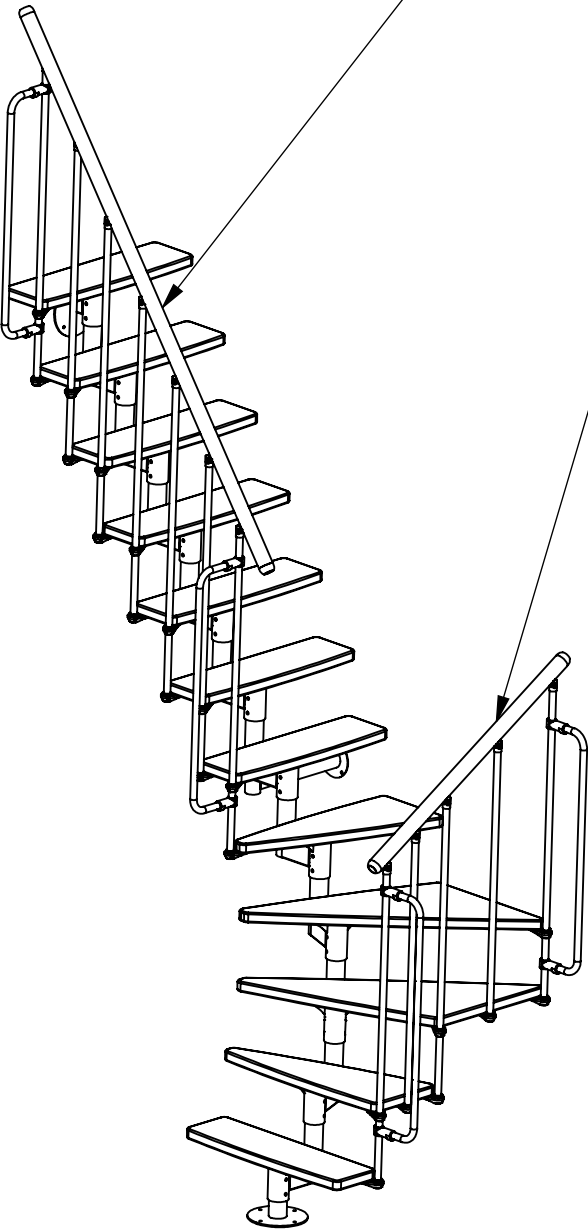
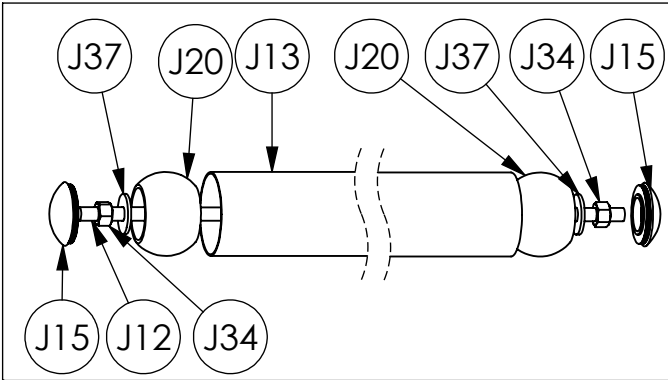
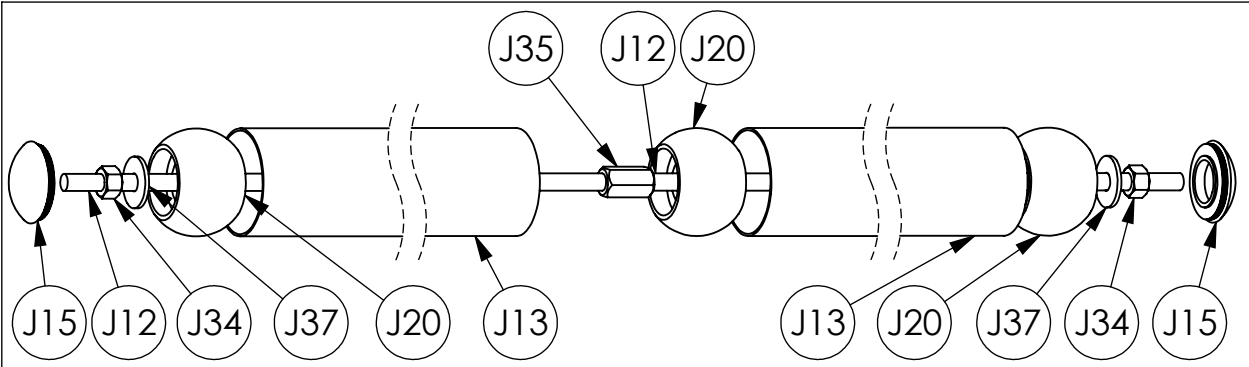
6



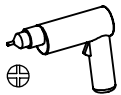


7





8



13 mm