

FM Mattsson Group

Box 480, SE-792 27 Mora

Tel. +46 (0)250 59 60 00

www.moraarmatur.com

Monteringsanvisning/
Installation instruction

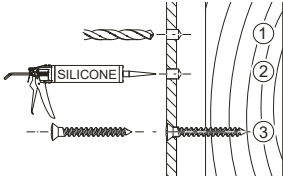
MA: 101 02 12 - Rev. 000

2024.03.19

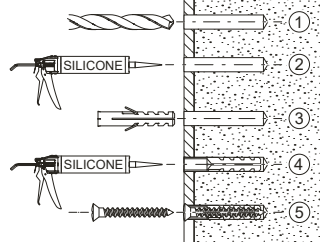
mora

MORA LYNX
DUSCHSET
SHOWER SET

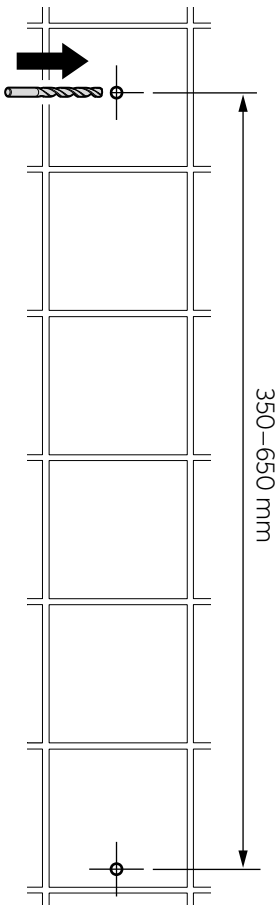
① A ——— Trä / Wood



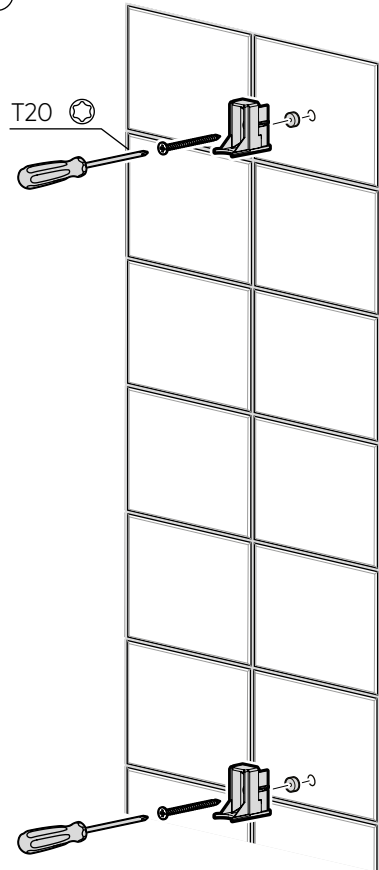
① B ——— Betong / Concrete

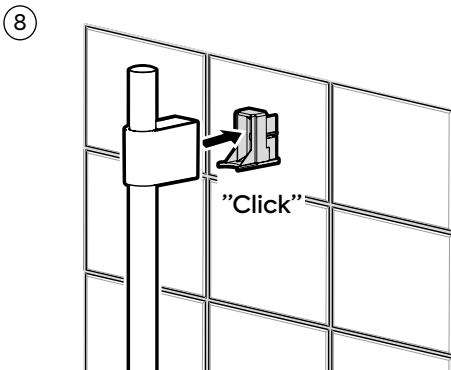
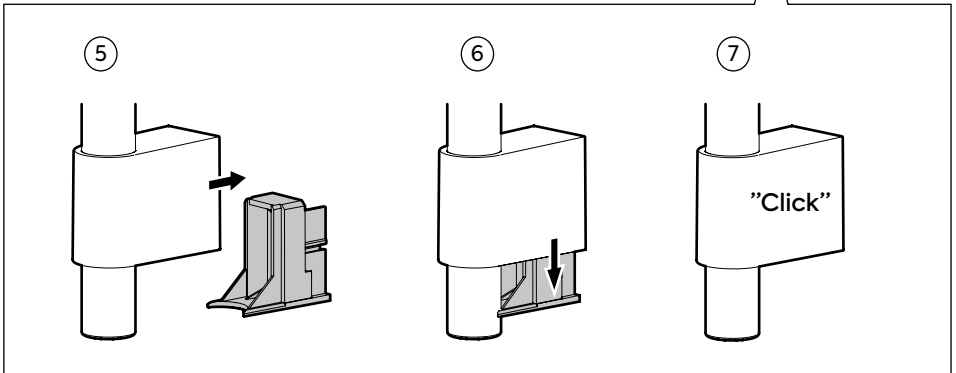
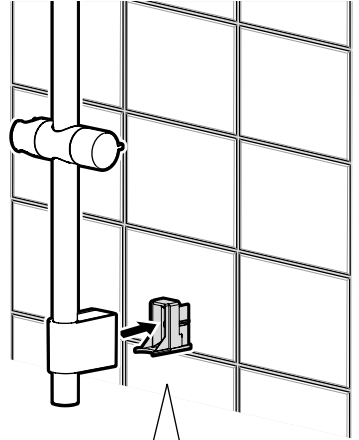
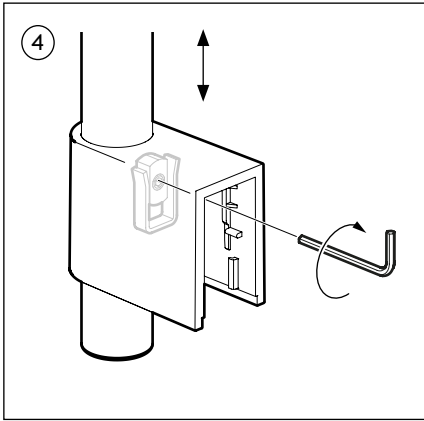


②



③





SV Rengöring
EN Cleaning



