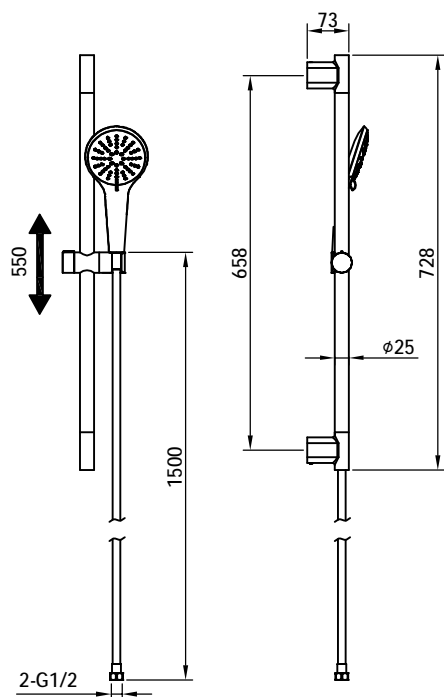
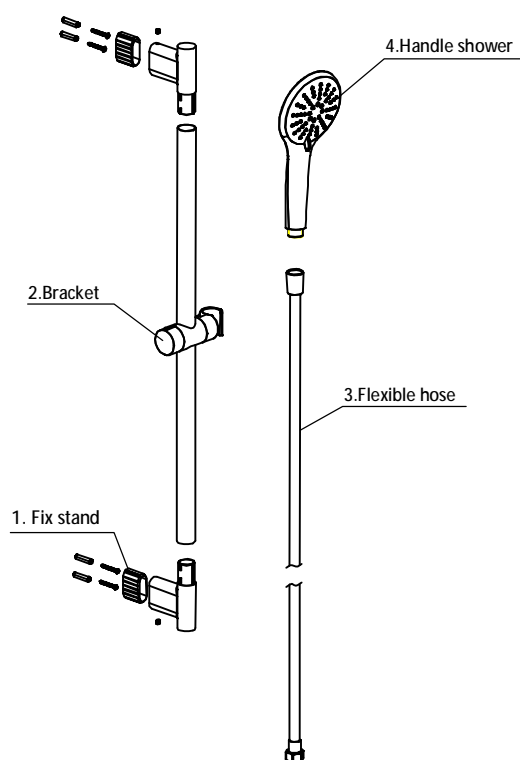


# bathlife®

## Sliding Shower Set



Installation drawing



Product accessories

### Installation Instruction :

1. Choose a suitable position near the shower mixer to install sliding bar.
2. Keep the sliding bar perpendicular to horizon level, and then mark the fix stand (1) position on the wall, CC 658MM.
3. Drill the nail holes, and put the nuts into the nail holes until it is the same level with the wall.
4. Install the fix stand (1) and sliding bar.
5. Connect the flexible hose (3) to hand shower (4), then hang the hand shower to the bracket (2).

### Cleaning and maintenance :

1. Use soap and water to remove lime stains from chrome surface. Don't use acidic detergents, scouring pads or steel wool; otherwise the chrome parts will be damaged
2. Use soap and water to clean installation accessories, such as plastic or rubber components. Don't use acidic detergents, scouring pads, alcohol cleaners or steel wool.

### Data Sheet :

Nominal Diameter	G1/2
General Medium	Water
Water Pressure	0.05Mpa-0.5Mpa
Recommended Pressure	0.1Mpa-0.3Mpa
Temperature Range	4°C - 70°C

### Warranty :

BATHLIFE warrant its faucets to be leak and drip free during normal residential use for 3 year from original date of purchasing. If the faucet should leak or drip during normal use, kindly contact our support team to claim your warranty. This warranty applies only to BATHLIFE Faucets installed in the Sweden. If damages caused by accident, misuse or abuse will void this warranty. Proof of purchase (original purchasing receipt) must be provided to BATHLIFE when you claim for warranty. If the Faucet is used commercially or if the finish is: GOLD or BLACK coated finished, BATHLIFE warrants the product to be free from defects in material and workmanship for one year from the date of purchasing.