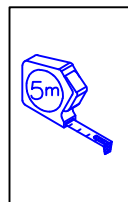
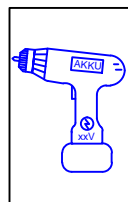
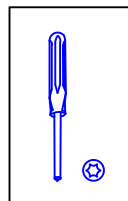
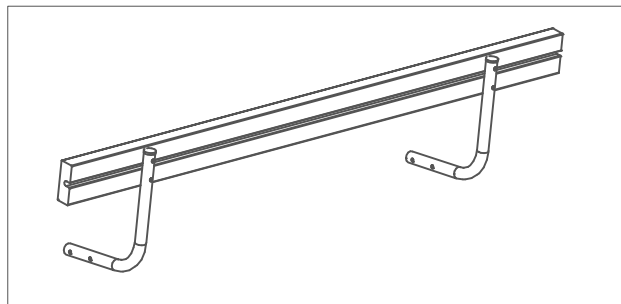


Classic

185890-1
185890-3
185890-15
185890-18
185890-25



Fx1

