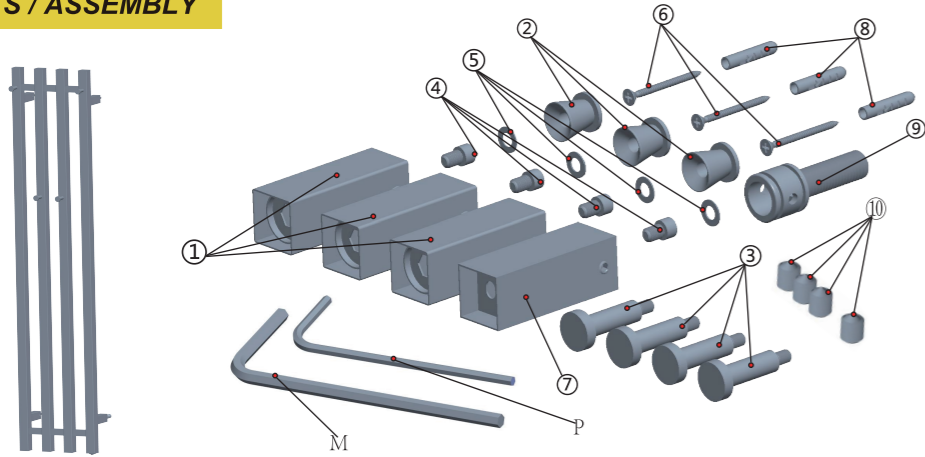


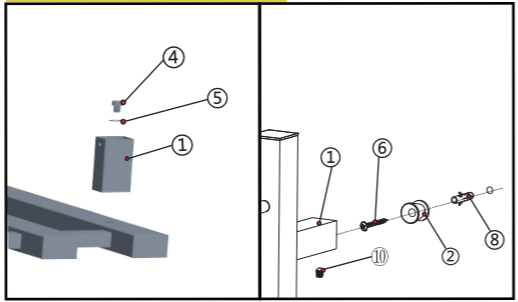
PARTS LIST!(HARD-WIRED OPTION)

| REF | QTY | DESCRIPTION | REF | QTY | DESCRIPTION |
|-----|-----|--|-----|-----|---|
| ① | 3 | Wall Mount Legs | ⑧ | 3 | Drywall Anchors (used when installing in drywall) |
| ② | 3 | Wall fixed bases | ⑨ | 1 | Wall Bushing |
| ③ | 4 | Robe Hook | ⑩ | 4 | Allen Screws |
| ④ | 4 | Leg Bolts | M | 1 | Medium Hex Key (used for set screws 2) |
| ⑤ | 4 | Washers | P | 1 | Small Hex Key (used to install Accessory Hook) |
| ⑥ | 3 | Wall Screws(secures wall flange to wall) | | | |
| ⑦ | 1 | Power Leg | | | |

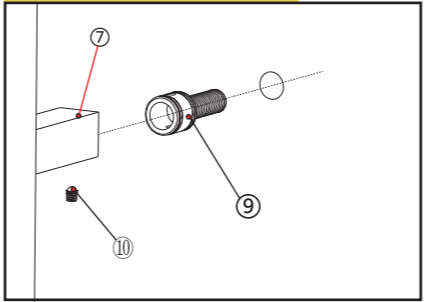
PARTS / ASSEMBLY



Leg Mounts(leg for mounting the unit)



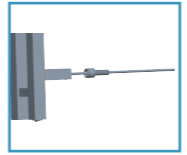
Wall Bushing (conduit for wall power)



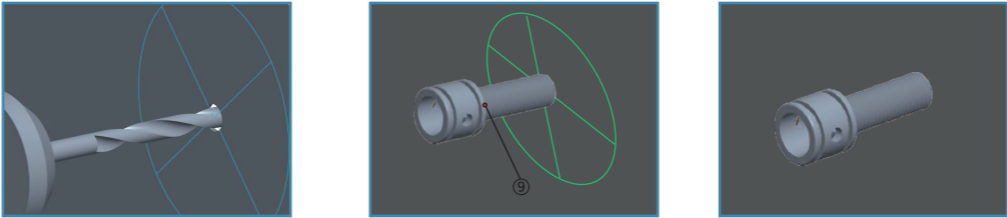
MOUNT WARMER(HARD-WIRED OPTION)

INSTALL POWER LEG FLANGE

This only applies to the **Power Leg Mount ⑦** for the Hard-Wired option (bottom-right leg). The **Wall Bushing ⑨** allows the **Power Cord** to be passed into the wall cavity for hard-wiring to your home's electrical wiring. **NOTE:** Before proceeding,make sue you have a plan for directing the power cord to an existing circuit. It may be necessary to use a fishing tool after drilling the 1/2" hole to pull the cord to a location for connecting to power.



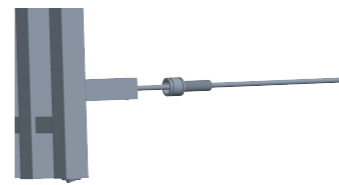
After ensuring there are no obstructions behind the wall,drill a 1/2-in hole throught the drywall at the wall marking made earlier. Inset the **Wall Bushing ⑨** through the screw the bushing into the hole you drilled into the drywall Screw the bushing until it s snug and the small holes in bushing are align ed vertically.



MOUNT WARMER(HARD-WIRED OPTION)

INSERT POWER CORD

While holding the warmer near the wall, insret the power cord through the **Wall Bushing ⑨** and pull the cord tight from within the wall cavity.(see the next pages for ideas on connecting the power cord to power inside the wall)



CAUTION: Risk of electric shock



Correct Disposal of this product



This marking indicates that this product should not be disposed with other household wastes throughout the EU. To prevent possible harm to the environment or human health from uncontrolled waste disposal, recycle it responsibly to promote the sustainable reuse of material resources. To return your used device, please use the return and collection systems or contact the retailer where the product was purchased. They can take this product for environmental safe recycling.

Konsumentkontakt
Arc E-commerce AB
Box 3124
13603 Haninge
Sverige

