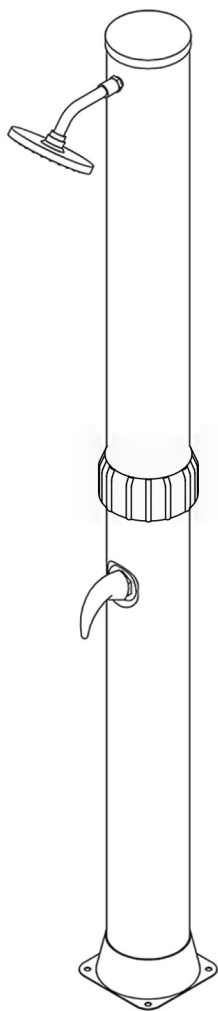
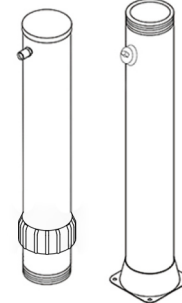


# 35L OUTDOOR SHOWER



A1

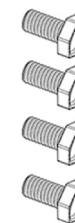
A2



B1



B2



C1



C2



C3



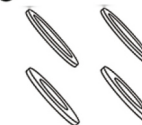
C4



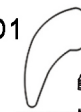
C5



G



D1

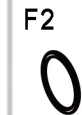
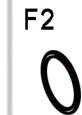


D2  
D3

E



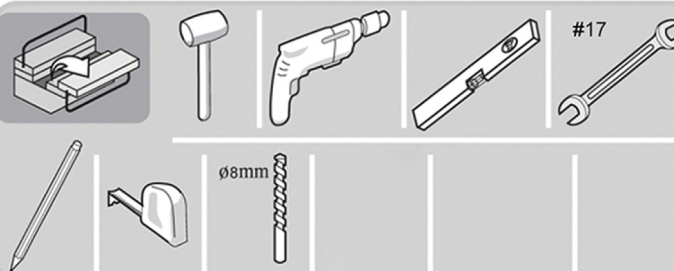
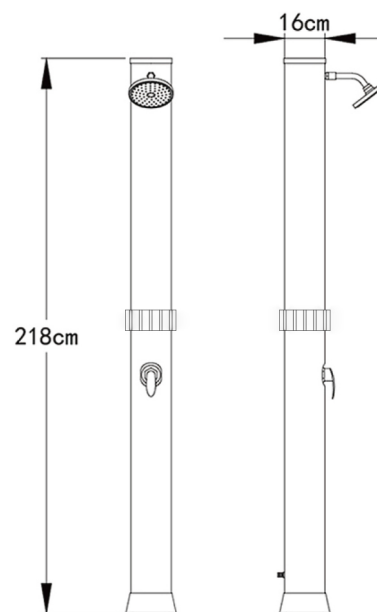
F1

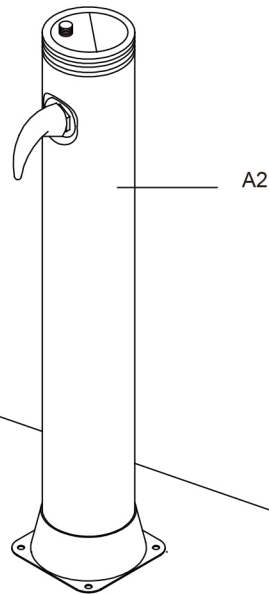
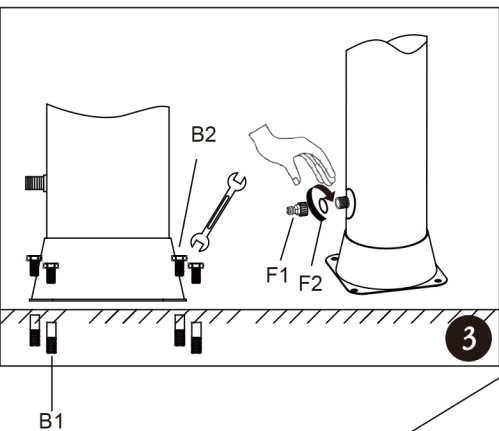
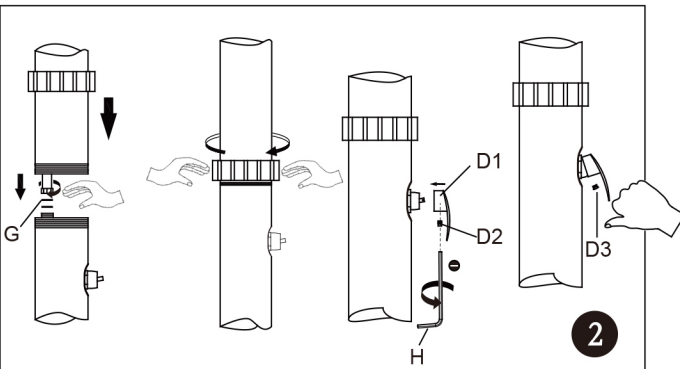
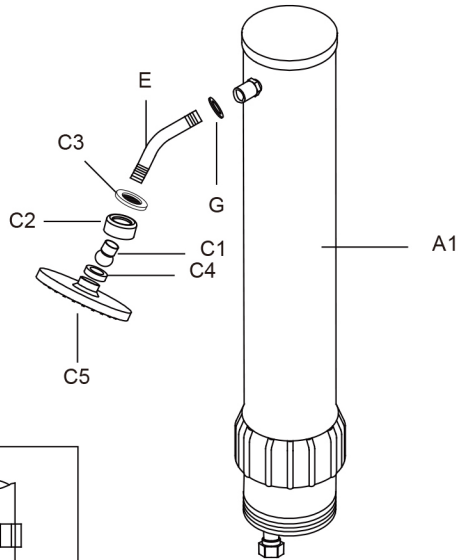
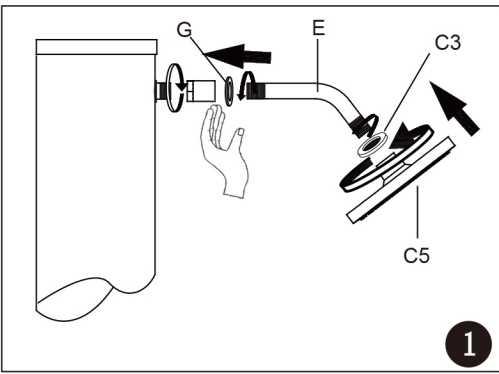


H



3mm





## INITIAL SET UP OF THE SHOWER

1. Turn and lift shower handle to FULL ON HOT position.
2. Turn on water supply to garden hose to fill shower. Shower will take about 2 minutes to fill.  
**NOTE:** Filling tube with valve in hot position. Ensures no air pockets are trapped in shower. This procedure is used for initial set up only.
3. When water flows from shower head, turn shower handle off. Turning the shower off allows the water to begin heating.  
**NOTE:** Depending on available sunlight and outside temperature, it may take up to 1 hour or longer to fully heat the water.

## USING THE SHOWER

**WARNING: WATER TEMPERATURE IN SHOWER MAY REACH OVER 130°F (55°C)! WE RECOMMEND OPENING HANDLE IN THE MIDDLE POSITION BETWEEN HOT AND COLD, THEN SETTING TO DESIRED TEMPERATURE. ALWAYS START YOUR SHOWER COOL TO AVOID INJURY.**

1. Simply lift the handle to its ON position and you are ready to enjoy your sun-warmed water!

**NOTE:** The faucet connected to garden hose must be turned on for shower to run.

2. Turn off water supply to shower when done.

**WARNING: IF SHOWER HAS NOT BEEN USED FOR MORE THAN THREE DAYS, WE RECOMMEND RUNNING THE SHOWER FOR 2 MINUTES TO REMOVE STAGNANT WATER. STAGNANT WATER IN WARM ENVIRONMENT CAN PROVIDE A GROWTH ENVIRONMENT FOR HAZARDOUS BACTERIA.**

## OFF SEASON DISASSEMBLY

1. Turn off and disconnect garden hose.
2. Open handle and allow shower to drain (approximately 2 minutes).
3. Turn locking ring COUNTERCLOCKWISE to unthread, and gently pull shower tubes apart.  
**NOTE:** Water may splash out.
4. Unbolt shower lower tube and pour remaining water out of unit.
5. Wipe down and store shower parts for next season.

**DO NOT USE SALT OR OTHER ANTI-FREEZING METHODS. THIS WILL VOID THE PRODUCT WARRANTY.**

## CARE AND MAINTENANCE

Wipe shower off after use.

## WARNING: FOR YOUR SAFETY

THIS IS NOT a recreational device. DO NOT climb on, hang from solar shower. Use only as intended. When not in use, store the solar shower in an area away from the play of children.

**CAUTION: IMPORTANT SAFETY INFORMATION - KEEP SMALL PARTS, HARDWARE AND PLASTIC BAGS OUT OF THE REACH OF CHILDREN.**