

USE INSTRUCTION HANDBOOK



MODEL:520063

SIZE:1200×800×1980mm

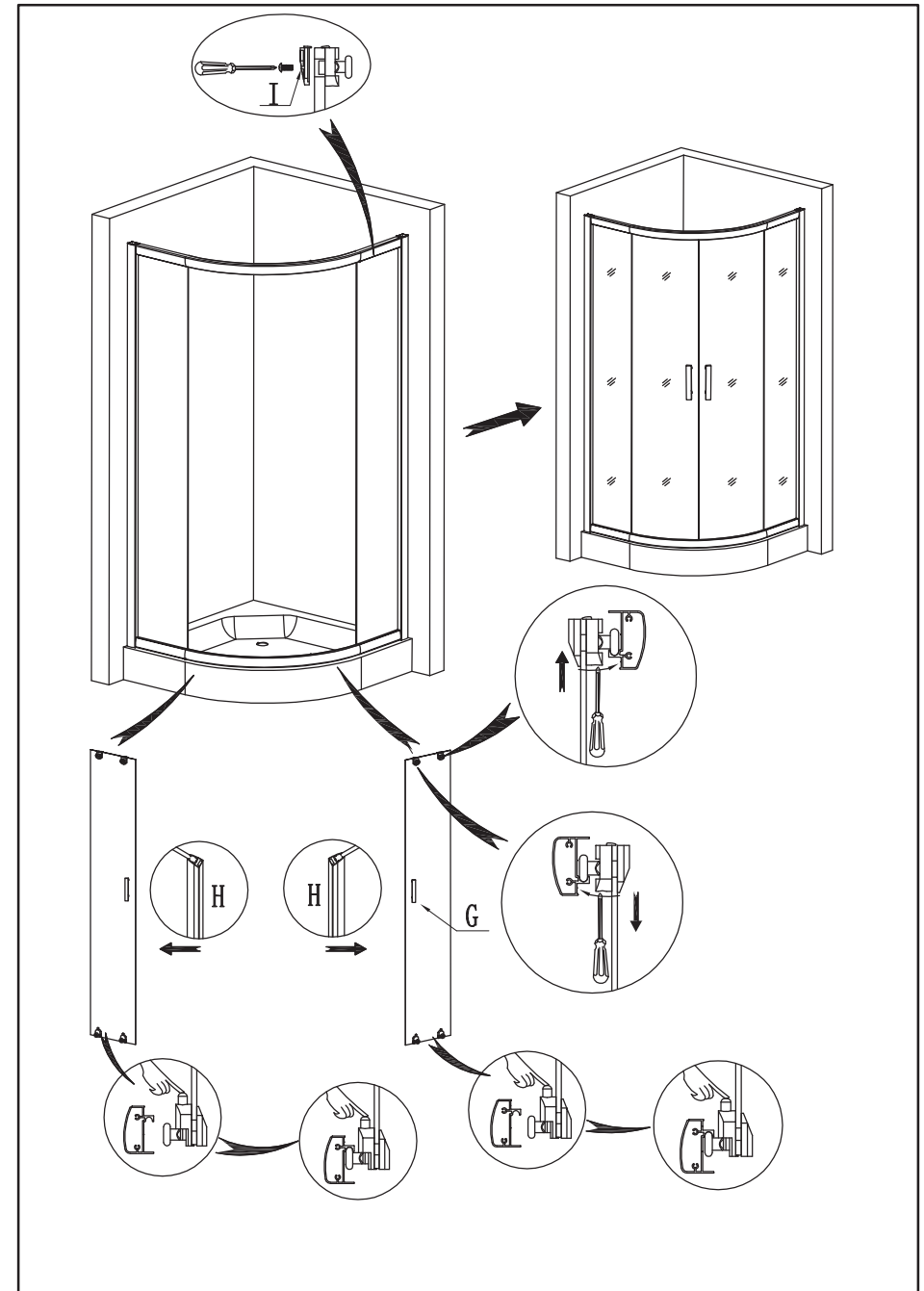
1, instruction

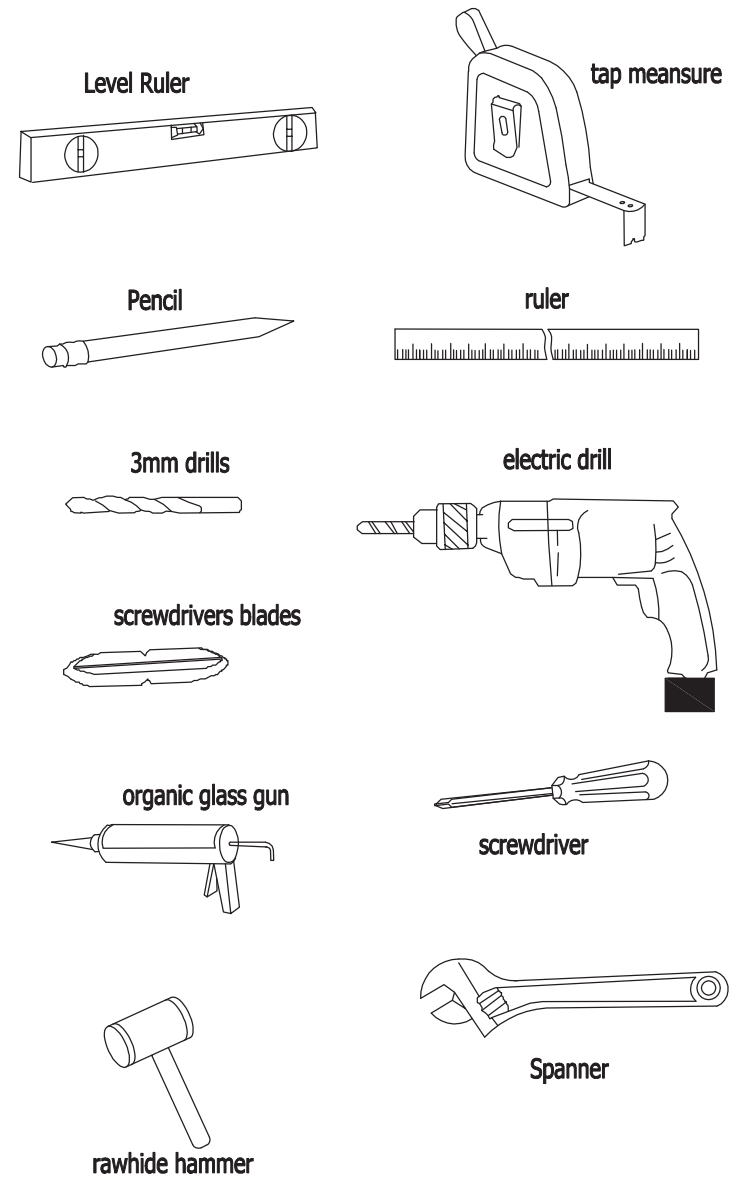
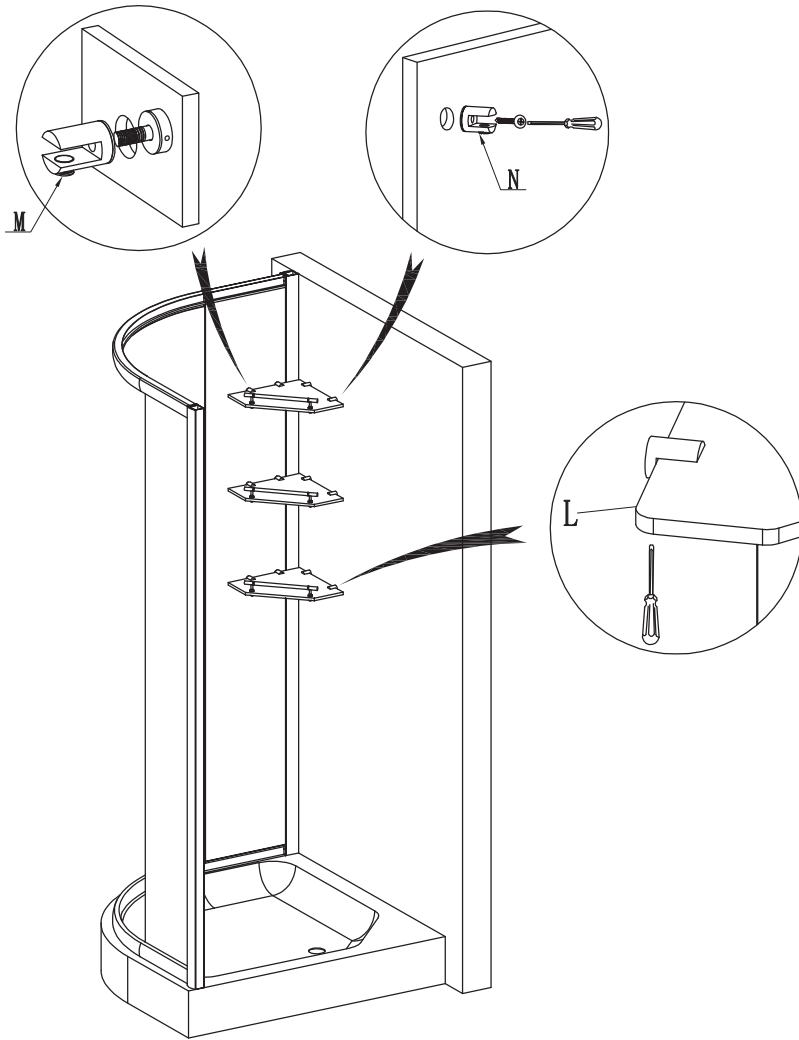
Adjusting would be made as follows when the sliding door is un-adsorption or loose:



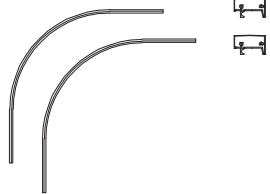
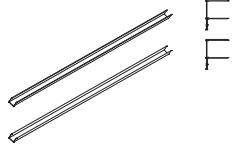


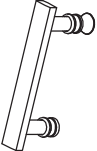
- (1).used the Phillips screwdriver(3) to adjusting the vertical screws of the roof wheels, adjusting the sliding glass up or down, to make it in a suitable place.
- (2). After installation, sealed the frame and tray basin gap place with silica gel. Then, use the neutral detergent to wash the aluminium frame and glass, to make it bright and clean

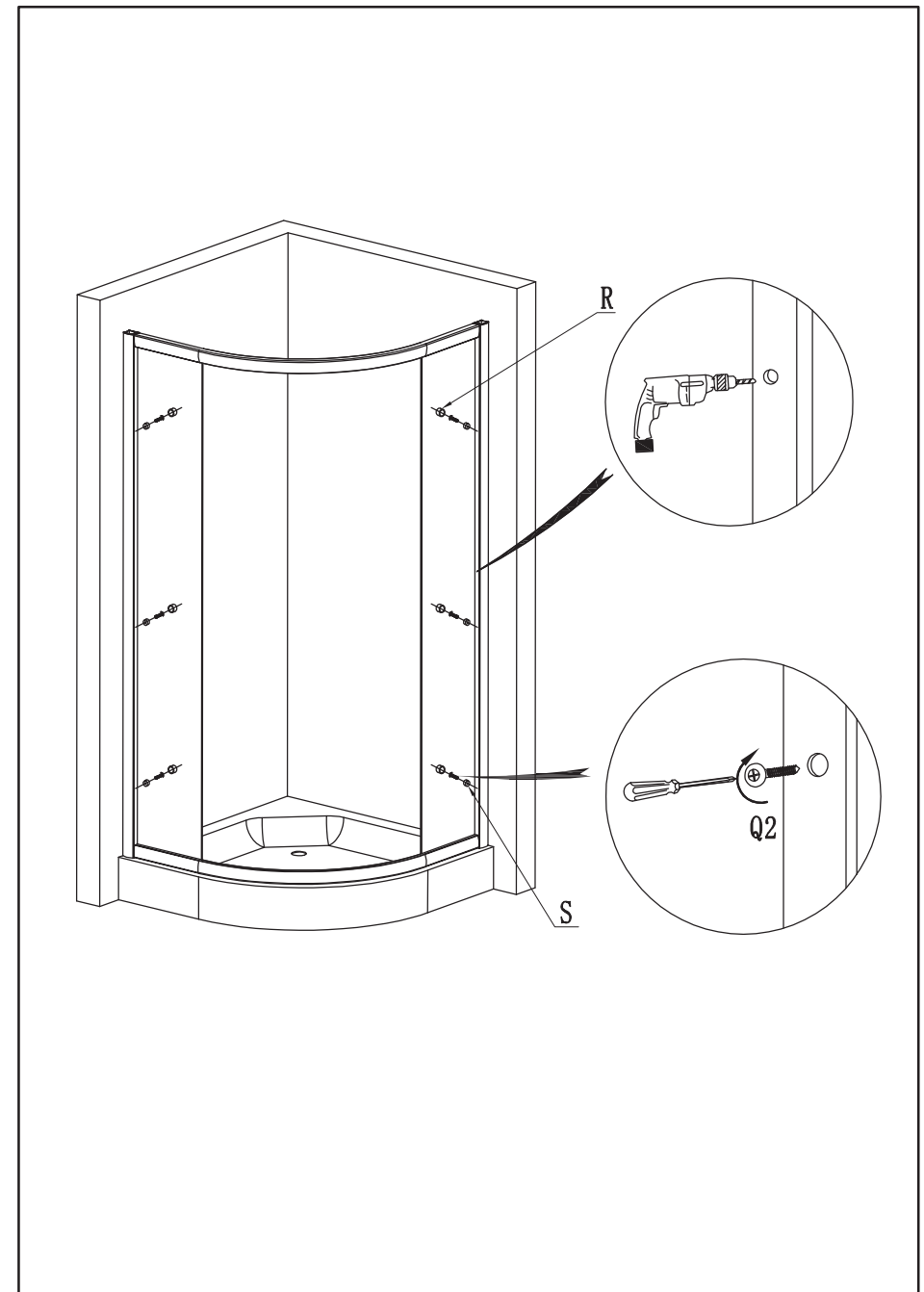
2. Notes for Use

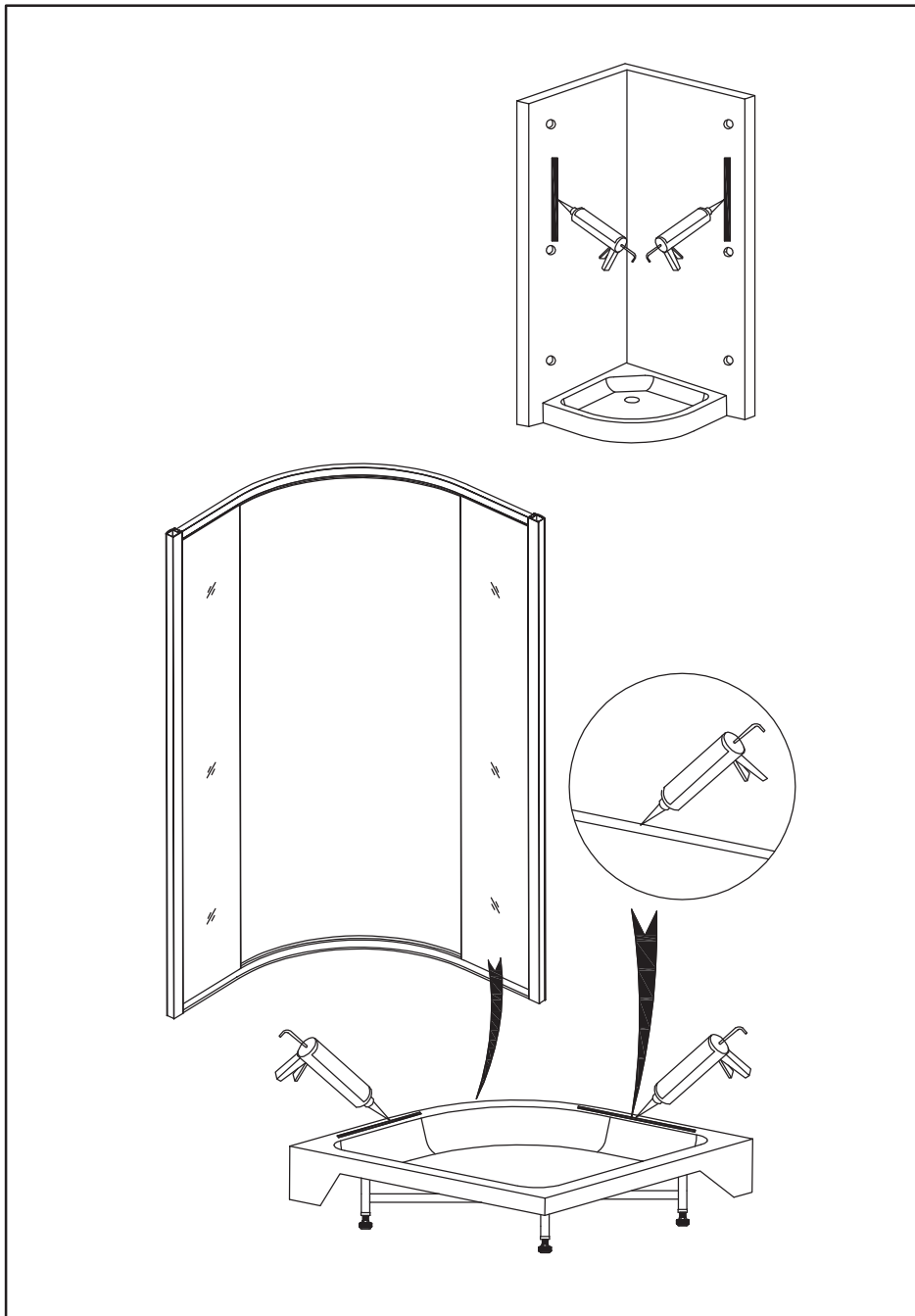
- (1). The ground wire need be connecting with the floor when with steam, massage motor function.
- (2). Opening and closing the door more gently to avoid the human error damage. Oil it every month to make it sliding smoothly.
- (3). Using Acid or alkali solution, knife to scrape the shower room are strictly forbidden. Clean, Care and Maintenance it in performed periodically
- (4). Don't let the child or Persons with physical disabilities to take shower alone.
- (5). Don't climb the shower room or handing heavy things on it
- (6). This board is Acrylic which will be turn soft when the temperature over 80 centidegreen, so,please keep below it. Suggestion let-out cold water before hot water.
- (7).Because the Acrylic surface hardness is similar like aluminium alloy, please notice the surface protect when pick-and-place it. Can use 2000# water polishing with nubuck leather, then use tooth paste with silk to make it flat when its damaged.
- (8). Under normal pressure of water it few to let water out when using it, should washing the faucet Valve often and check it if there is block of junk.
- (9). put on the silicon sealant in time in case of water leakage.
- (10). open the door to make it keep well-ventilated in case of any moisture to make the shower room get mildewed and produce of flavour.


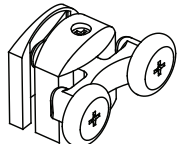
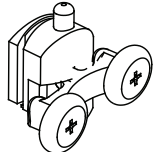
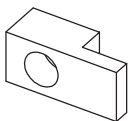
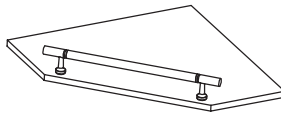
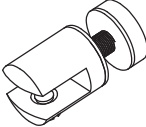



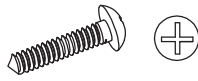





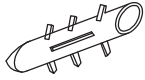
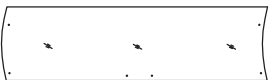




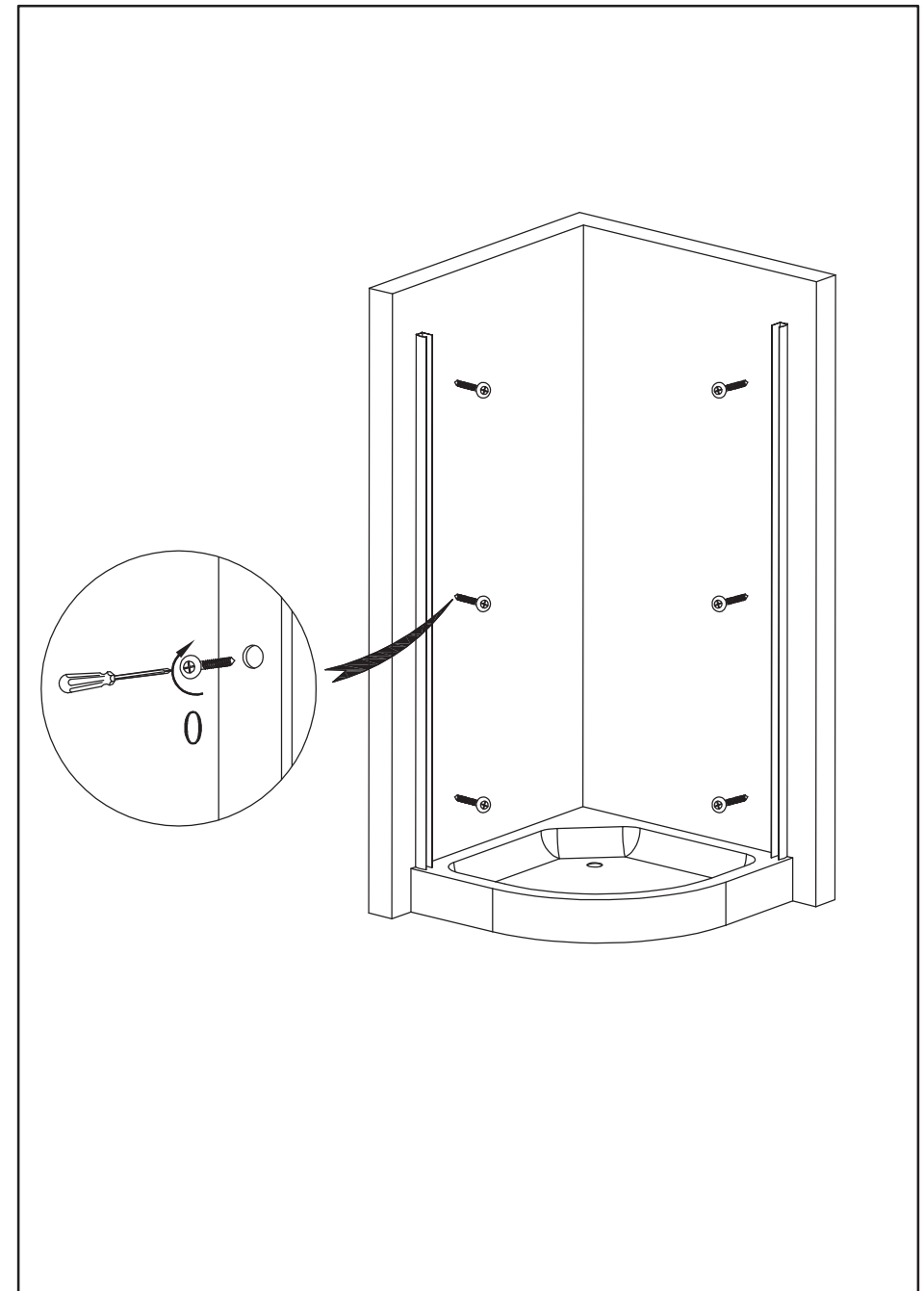
spare parts			
Serial No.	Name	Rendering	Qty
A	Shower tray basin		1
B	Wall profile		2
C	Channels		2
D	close-wall strip		2
E	Drainage		1
F	side water-proof strip		2
G	handles		2

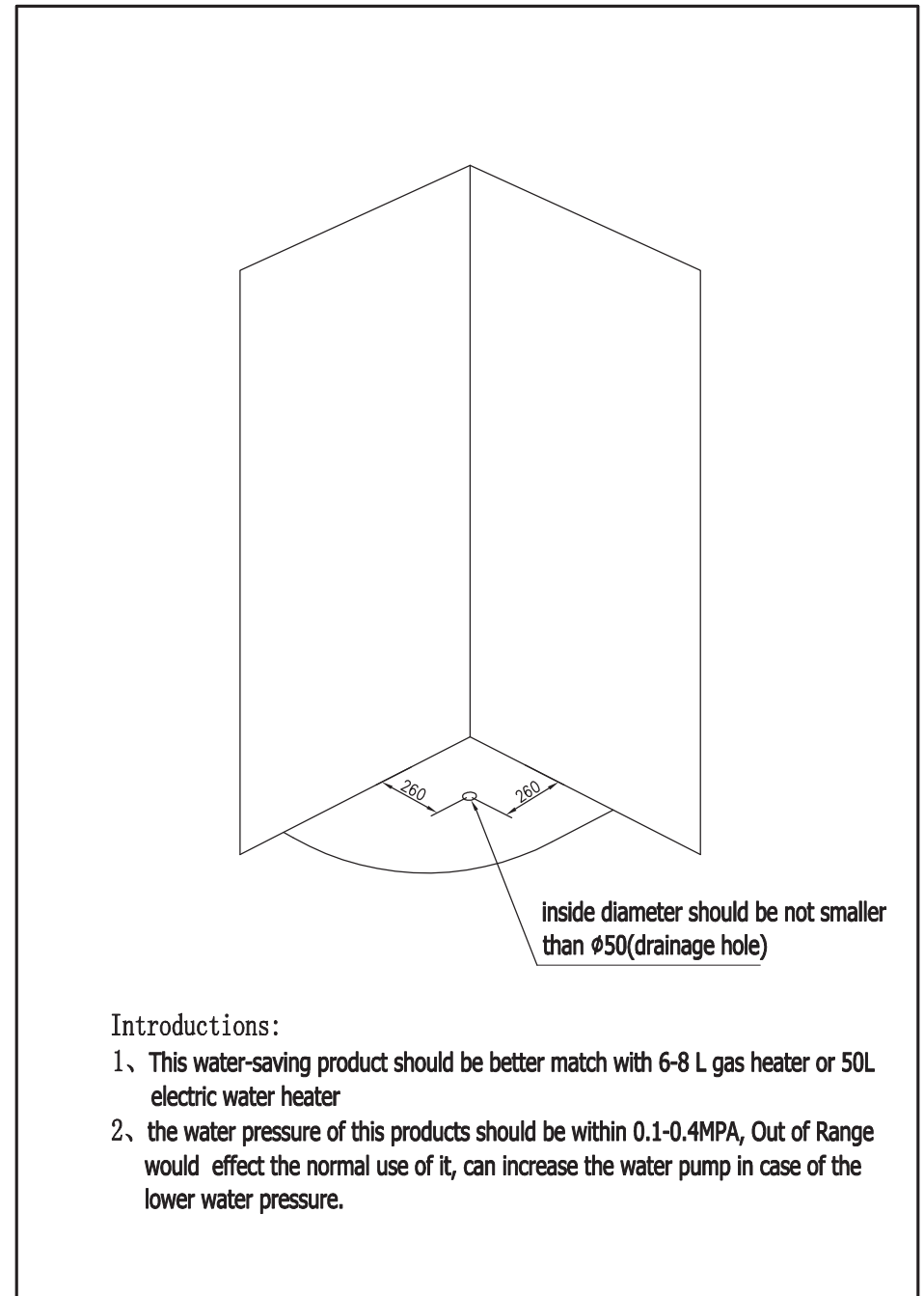
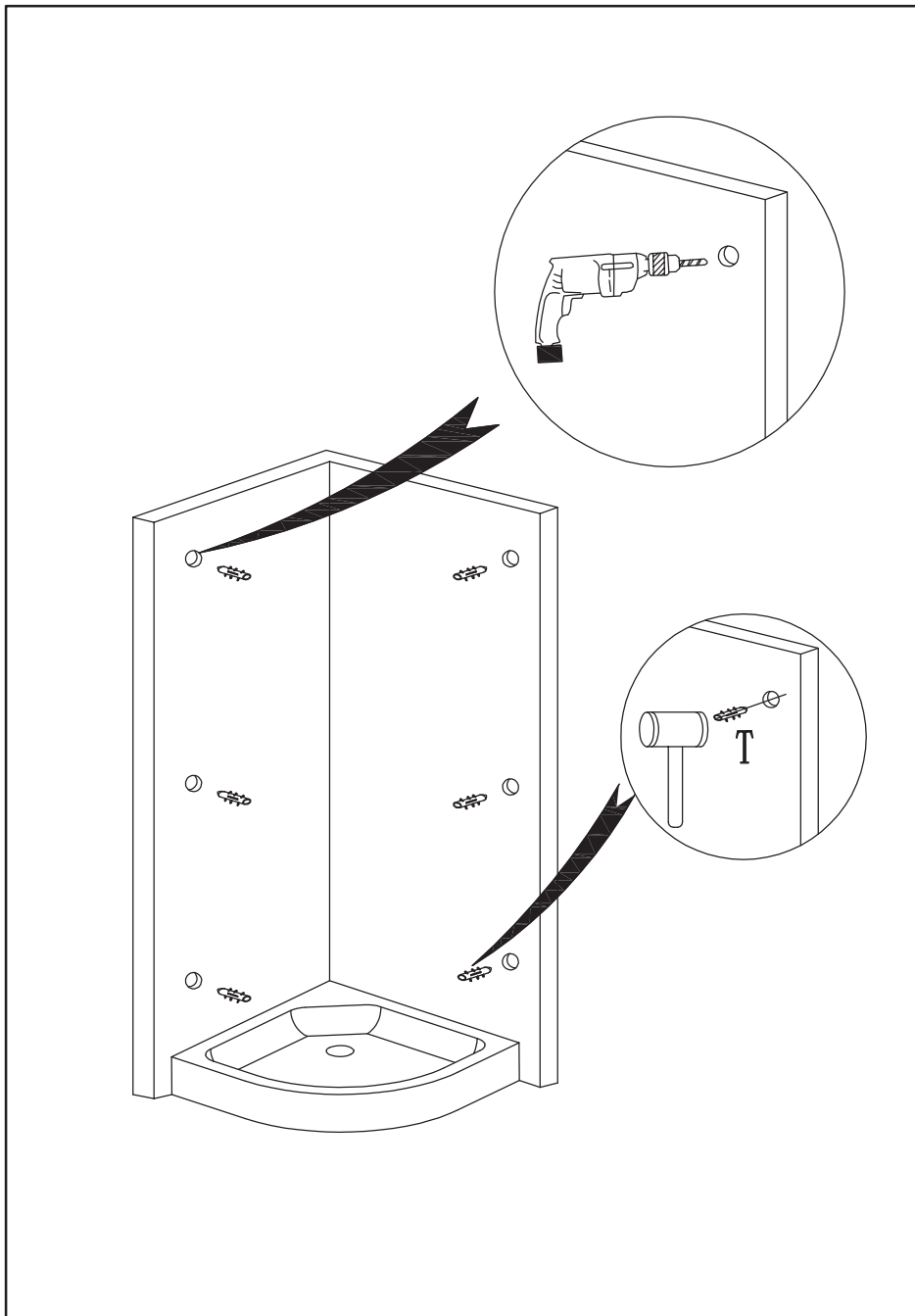




spare parts			
Serial No.	Name	Rendering	Qty
H	magnetic strip		1
I	top wheels		4
J	down wheels		4
K	glass fixed		4
L	single commodity shelf		3
M	Glass Clip		6
N	Glass Clip		6

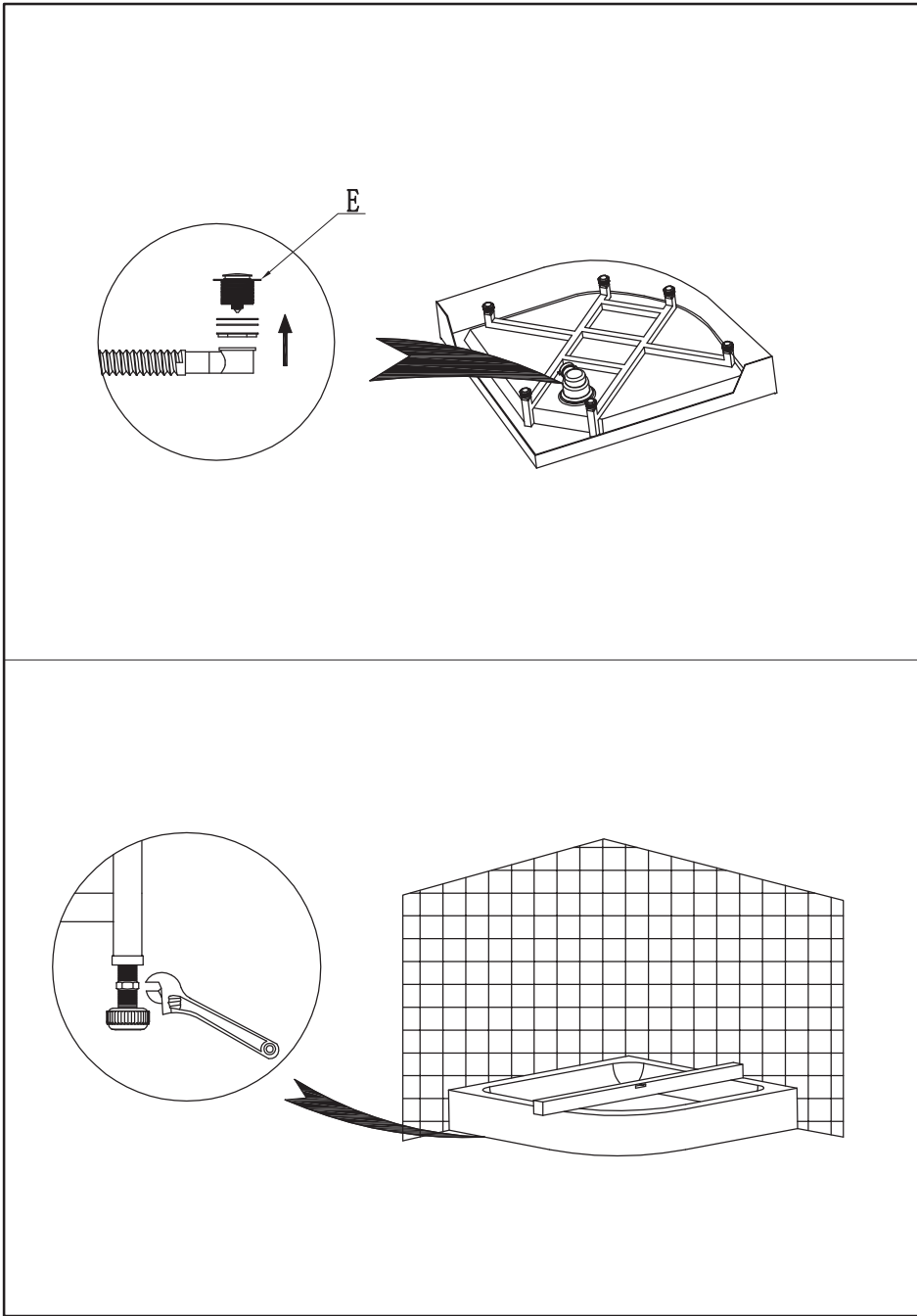
spare parts			
Serial No.	Name	Rendering	Qty
O	round head screwST4X30MM		12
P	round head screwST3.5X25MM		8
Q	Q1round head screwST4X10MM		4
	Q2round head screwST4X12MM		6
R	screw out-cup		12
S	screw inner-cup		12
T	Bulged tube		12
U	(U1) sliding glass		2
	(U2) Fixed glass		2
V	U style water-proof strip		2



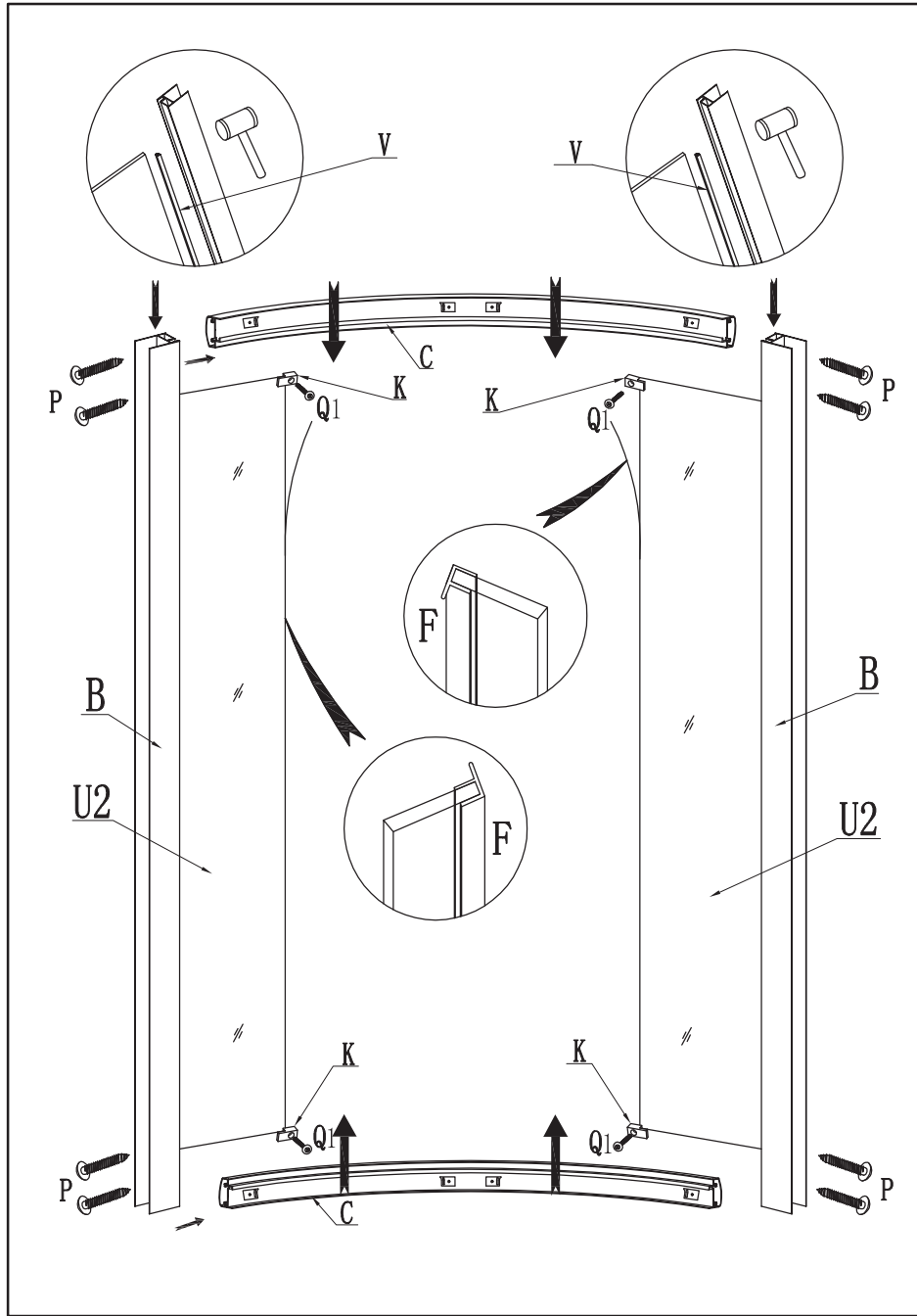


Introductions:

- 1、 This water-saving product should be better match with 6-8 L gas heater or 50L electric water heater
- 2、 the water pressure of this products should be within 0.1-0.4MPA, Out of Range would effect the normal use of it, can increase the water pump in case of the lower water pressure.



7



8